

Project: IEEE P802.15 Working Group for Wireless Personal Area Networks (WPANs)

Submission Title: Thoughts on using the Spectrum

Date Submitted: 14 September 2015

Source: Sebastian Rey, Technische Universität Braunschweig

Address: Schleinitzstr. 22, D-31806 Braunschweig, Germany

Voice: +49-531-391-2439, FAX: +49-531-391-5192, E-Mail: rey@ifn.ing.tu-bs.de

Abstract: In this presentation three options for using the spectrum are illustrated.

Purpose: Input to provide a baseline for discussion.

Notice: This document has been prepared to assist the IEEE P802.15. It is offered as a basis for discussion and is not binding on the contributing individual(s) or organization(s). The material in this document is subject to change in form and content after further study. The contributor(s) reserve(s) the right to add, amend or withdraw material contained herein.

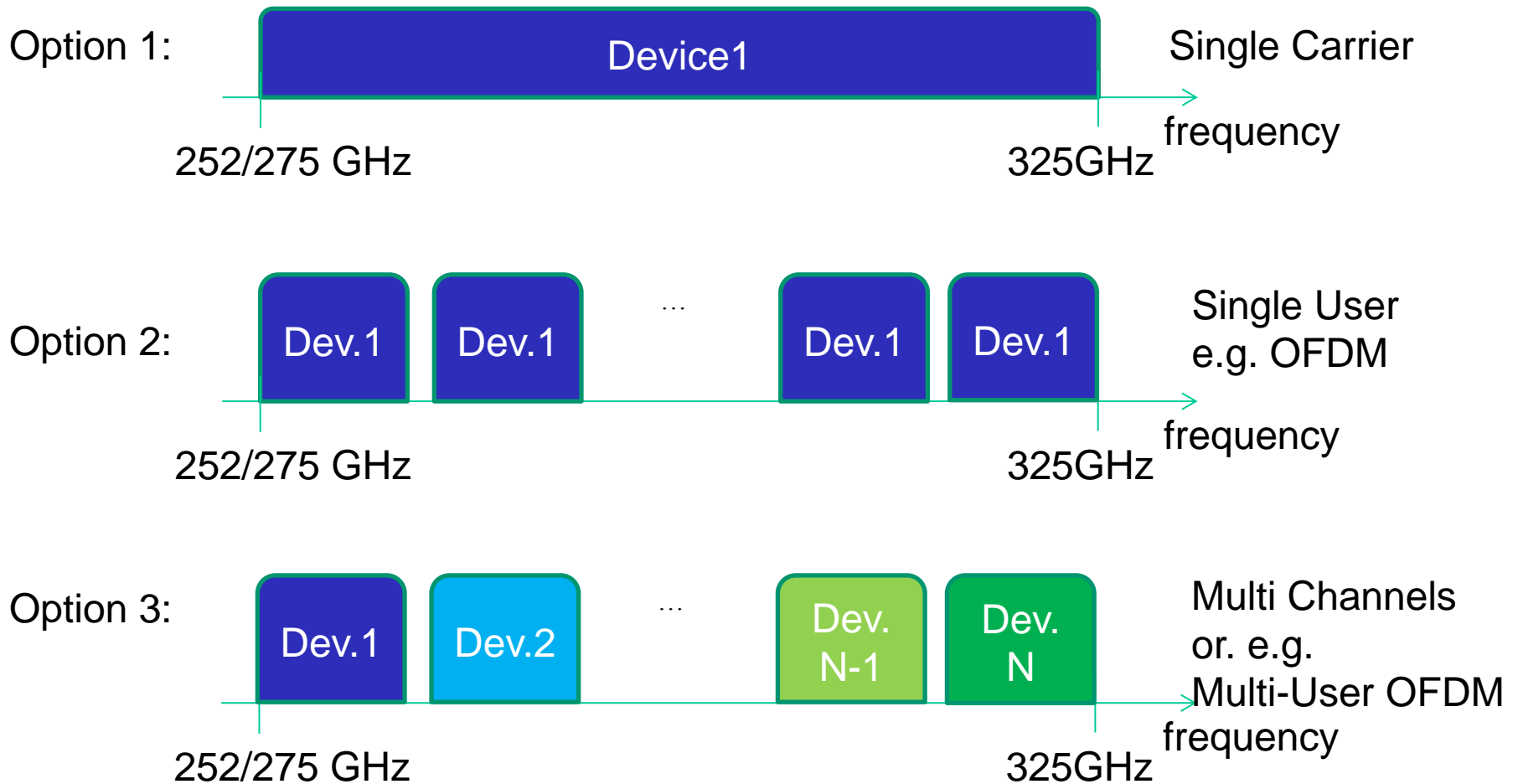
Release: The contributor acknowledges and accepts that this contribution becomes the property of IEEE and may be made publicly available by P802.15.

Thoughts on using the Spectrum

Sebastian Rey¹, Thomas Kürner¹

¹ Institut für Nachrichtentechnik, Technische Universität Braunschweig, Germany

Options



Impacts (in general)

	Option 1	Option 2	Option 3	Relevant to 3d?
Implementation	Simple	Complex OFDM	Simple/Complex	Yes?
Implications from Movements		Maybe less (lower required coherence BW)	Maybe less	No?
Data Rate			Less bandwidth per user	Yes?
Multi Device	Not supported	Not supported	Supported	No?