

Project: IEEE P802.15 Working Group for Wireless Personal Area Networks (WPANs)

Submission Title: comment and resolution about CID 33, 58, 34 and 59

Date Submitted: 7th March, 2011

Source: Jaeseung Son

Company: Samsung Electronics Co.,LTD

Address: Dong Suwon P.O. Box 105, 416 Maetan-3dong, Yeongtong-gu, Suwon-si, Gyeonggi-do, 443-742
Korea

Voice:[82-31-279-5285], **FAX:** [82-31-279-5130], **E-Mail:**[js1007.son@samsung.com]

Re: []

Abstract: Proposing comment resolution

Purpose: Contribution to IEEE 802.15.7 TG-VLC

Notice: This document has been prepared to assist the IEEE P802.15. It is offered as a basis for discussion and is not binding on the contributing individual(s) or organization(s). The material in this document is subject to change in form and content after further study. The contributor(s) reserve(s) the right to add, amend or withdraw material contained herein.

Release: The contributor acknowledges and accepts that this contribution becomes the property of IEEE and may be made publicly available by P802.15.

CID 33, 58, 59 (Subclause 5.1.7.4.1, page 46)

Comment

- Comment 33: Figure 20 has the title of "Successful data transmission without an acknowledgment", but the actual figure has AR=1, and shows an acknowledgement. I believe the wrong figure is here
- Comment 58: Text is about "without ACK". Both the figure 20 describes about with ACK
- Comment 59: In "without ACK" case, AR should be "0". But AR=1 in figure 21.

Suggested Remedy

- Comment 33: Put in the correct figure
- Comment 58: Change figure 20 with figure 21
- Comment 59: Change "AR=1" to "AR=0" in figure 21

Draft D6 (Subclause 5.1.7.4.1, page 46)

❖ Sentence

- The message sequence chart in Figure 20 shows the scenario for transmitting a single frame of data from an originator to a recipient without requiring an acknowledgment.

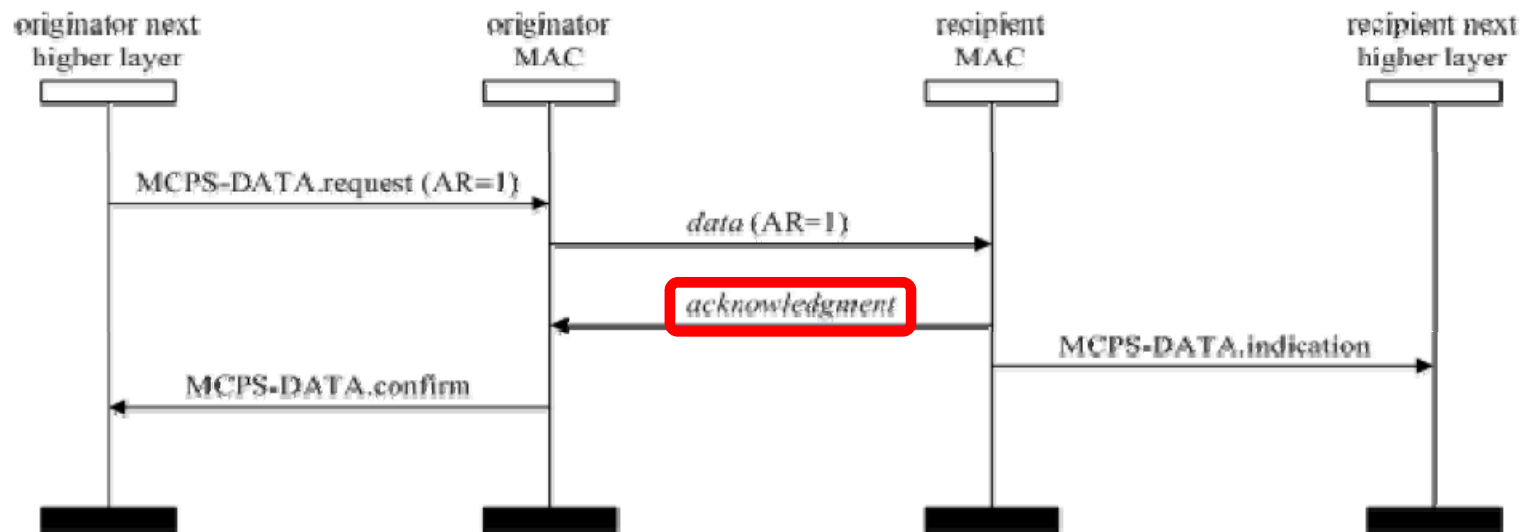


Figure 20—Successful data transmission without an acknowledgment

Resolution/instruction to editor

- ❖ Resolution/instruction to editor
 - Change figure 20 with figure 21
 - Change AR=1 to AR=0
 - ◆ Subclause 5.1.7.4.1, page 46, line 26
 - In this case, the originator transmits the data frame with the Acknowledgment Request (AR) subfield of the frame control field equal to zero.

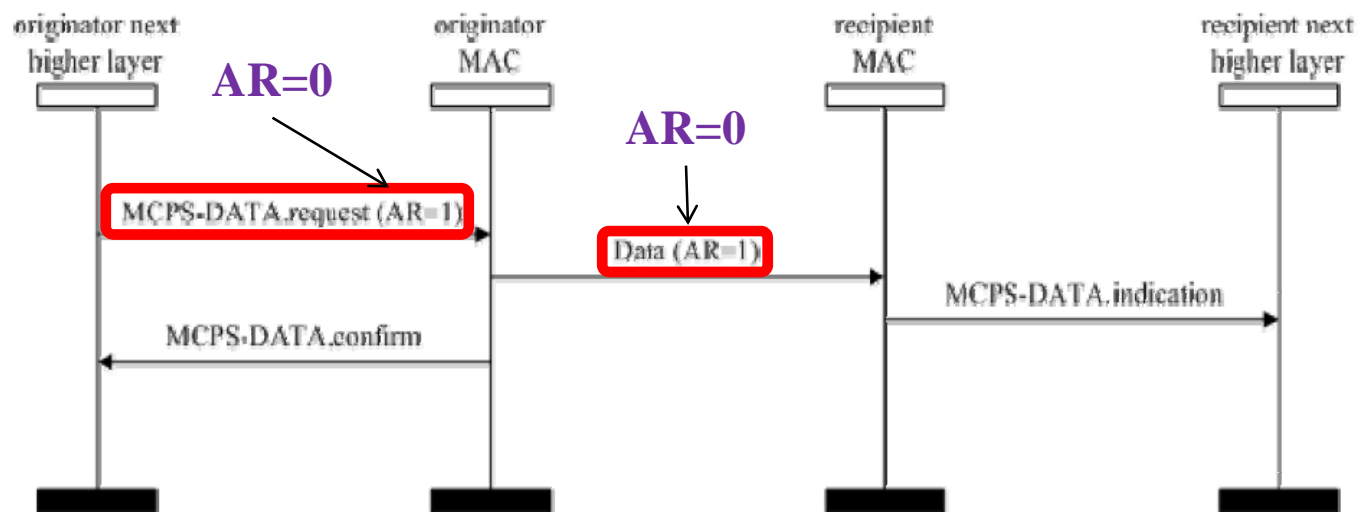


Figure 21—Successful data transmission with an acknowledgment

CID 34 (Subclause 5.1.7.4.2, page 47)

Comment

- Figure 21 has the title of "Successful data transmission with an acknowledgment", but the actual figure shows without an acknowledgment.
- Comment is wrong.

Suggested Remedy

- Put in the corrected figure

Resolution/instruction to editor

❖ Resolution/instruction to editor

■ Change figure 21 with figure 20

