

Project: IEEE P802.15 Working Group for Wireless Personal Area Networks (WPANs)

Submission Title: [Channel Alignment and EB/EBR Exchange (in CSM) Operation for 802.15.4g PHYs]

Date Submitted: [6 Dec. 2010]

Source: [Chin-Sean Sum, Fumihide Kojima, Hiroshi Harada]
Company [NICT]

Address [3-4, Hikarino-oka, Yokosuka, 239-0847, Japan]

Voice: [+81-46-847-5092], FAX: [+81-46-847-5440], E-Mail: [sum@nict.go.jp]

Re: [TG4g Channel Alignment]

Abstract: [Illustration of Channel Alignment for PHYs in TG4g]

Purpose: [This document provides a list of the editing staff that will be working on 802.15.4g.]

Notice: This document has been prepared to assist the IEEE P802.15. It is offered as a basis for discussion and is not binding on the contributing individual(s) or organization(s). The material in this document is subject to change in form and content after further study. The contributor(s) reserve(s) the right to add, amend or withdraw material contained herein.

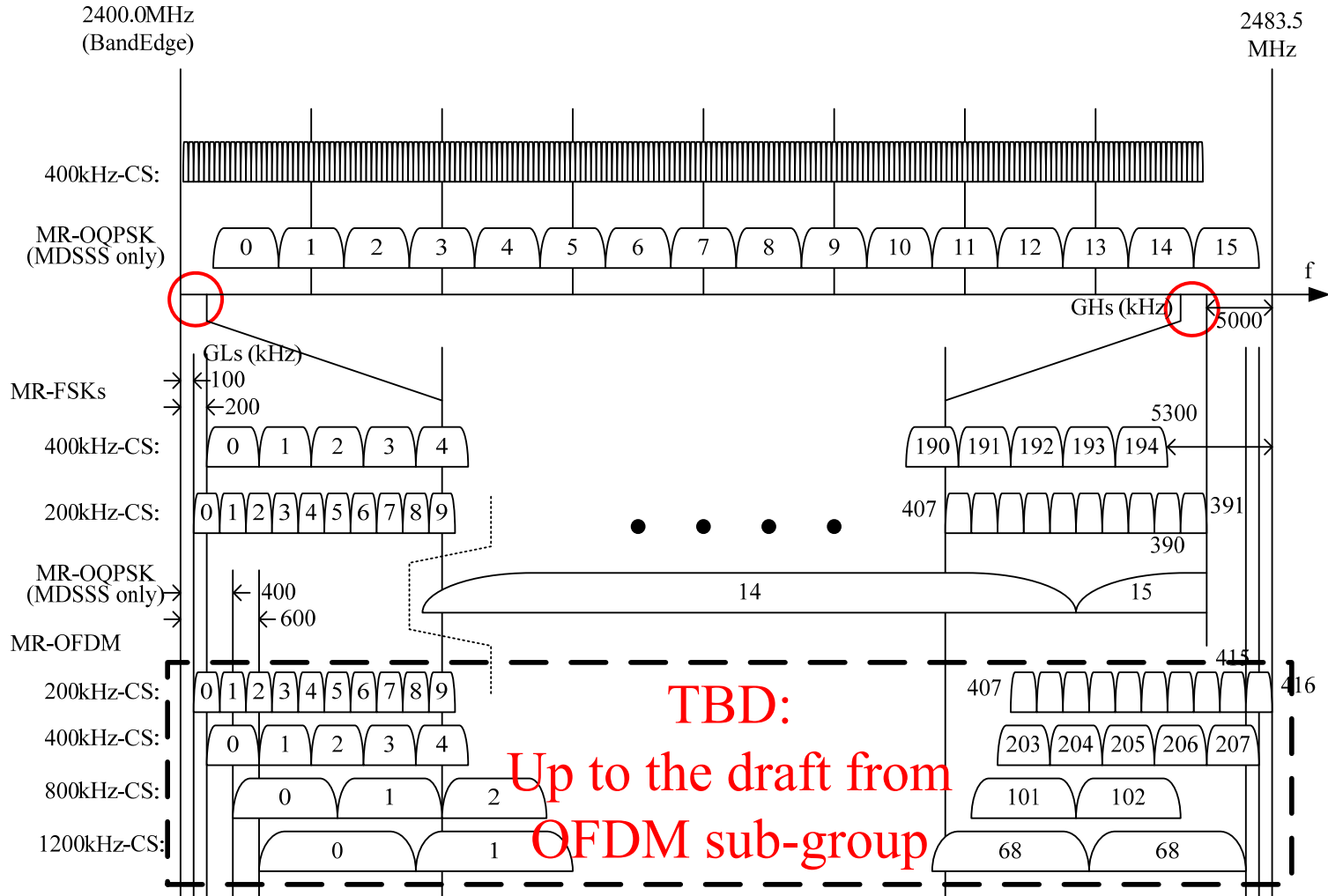
Release: The contributor acknowledges and accepts that this contribution becomes the property of IEEE and may be made publicly available by P802.15.

Summary

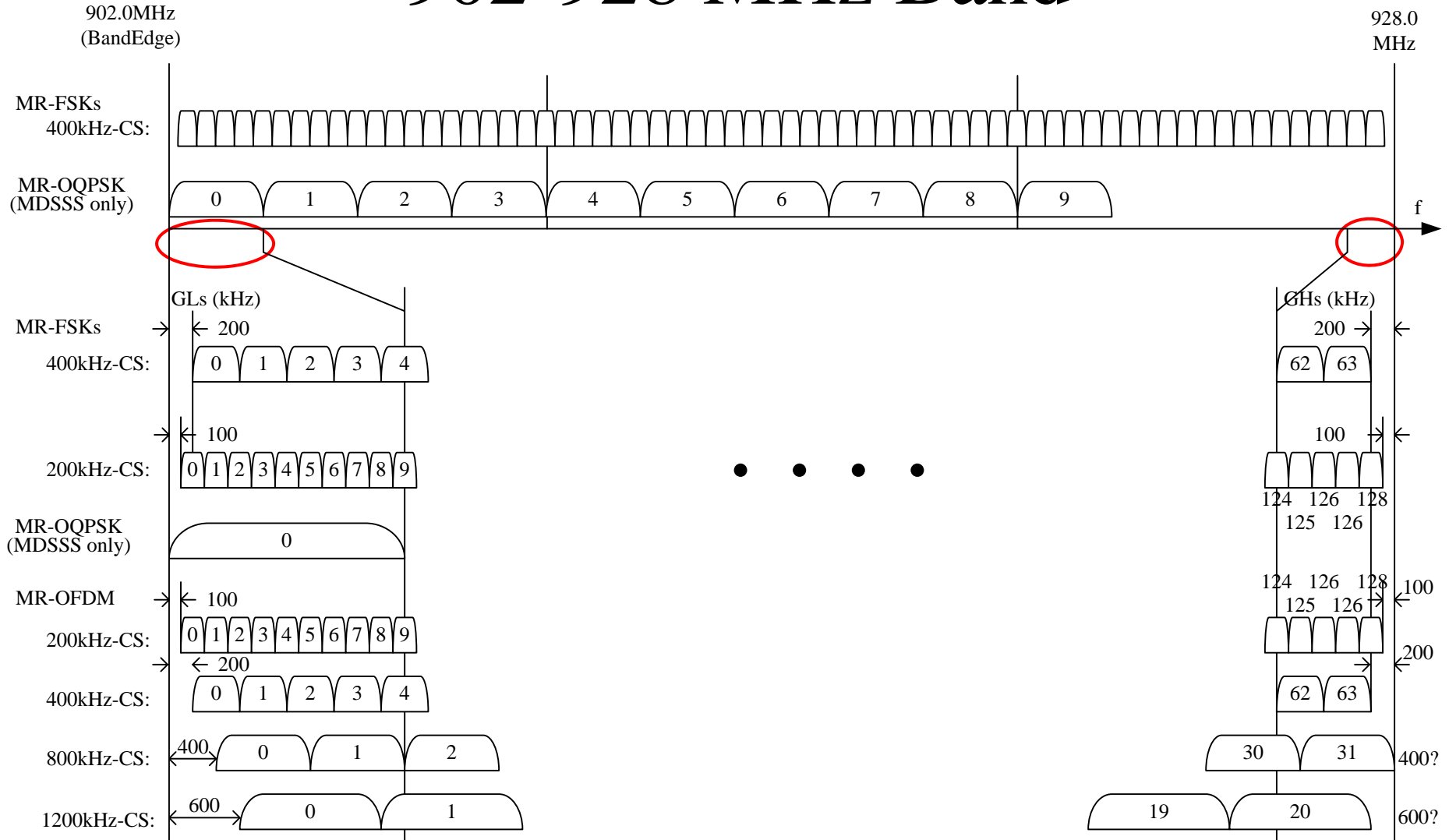
- This document illustrates the alignment of channels for different PHYs and different Channel Spacing (CS) in respective frequency bands
- This document gives an example of possible operation for EB/EBR exchange (in CSM) in the Japanese band

Channel Alignment for different Frequency Bands

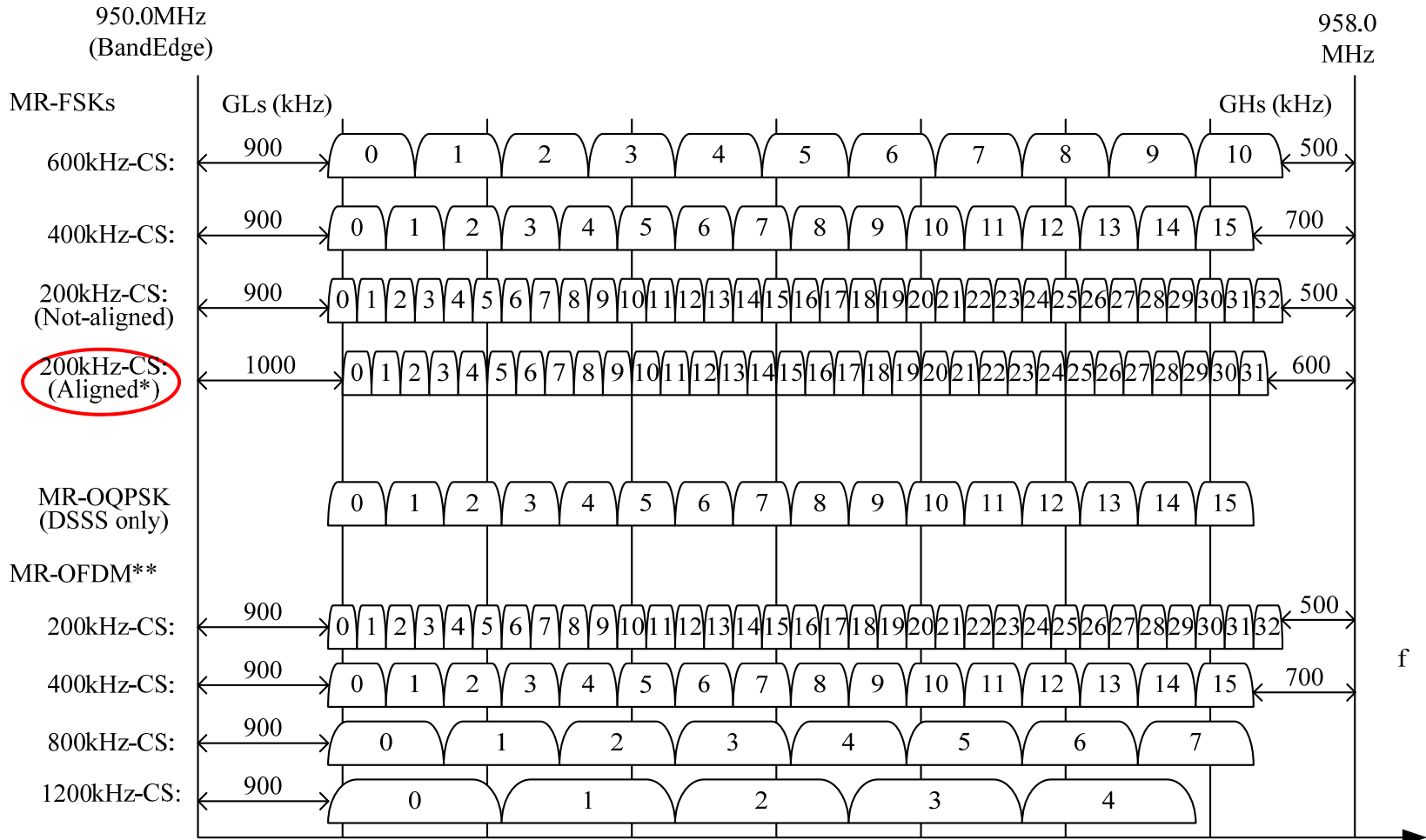
2400-2483.5 MHz Band



902-928 MHz Band



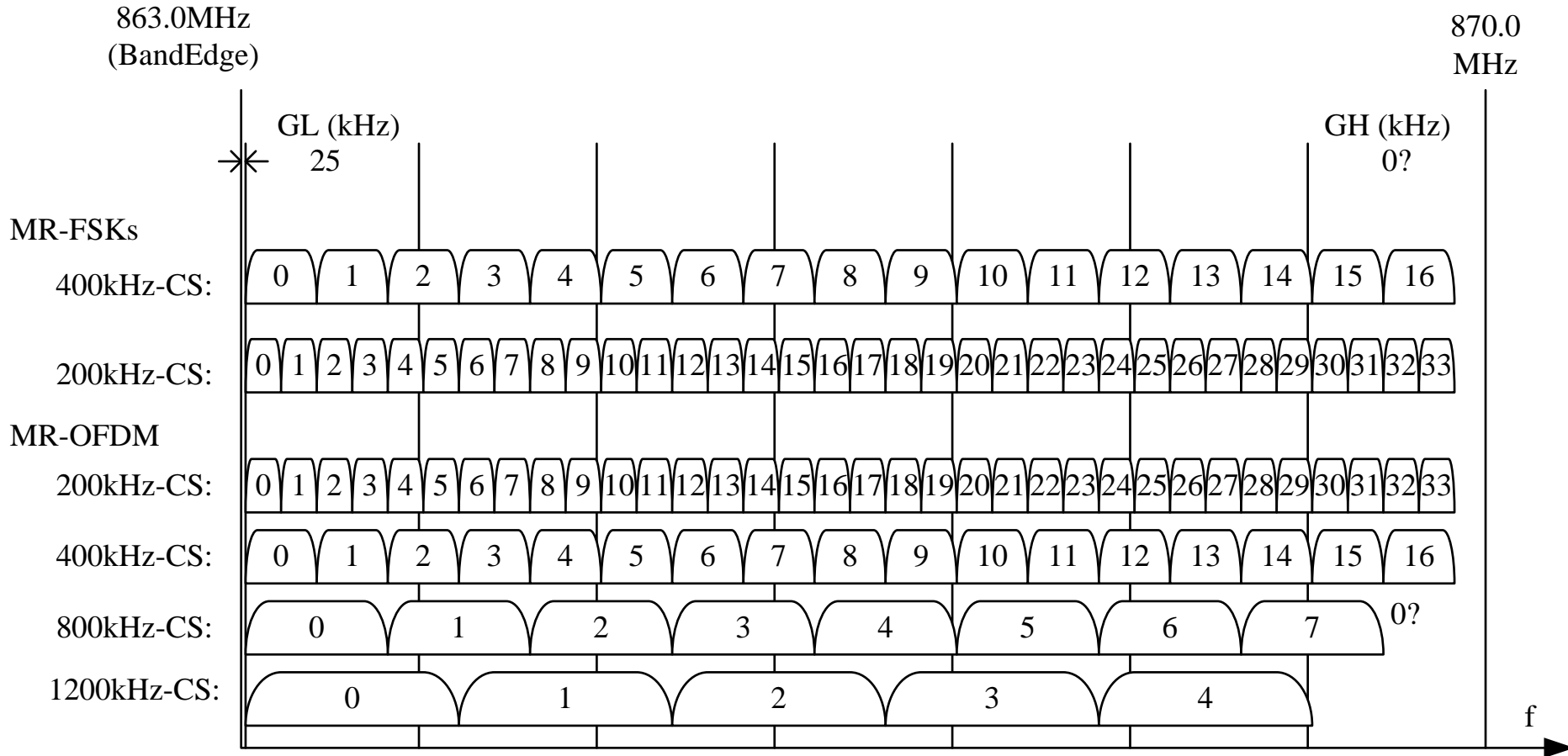
950-958 MHz Band



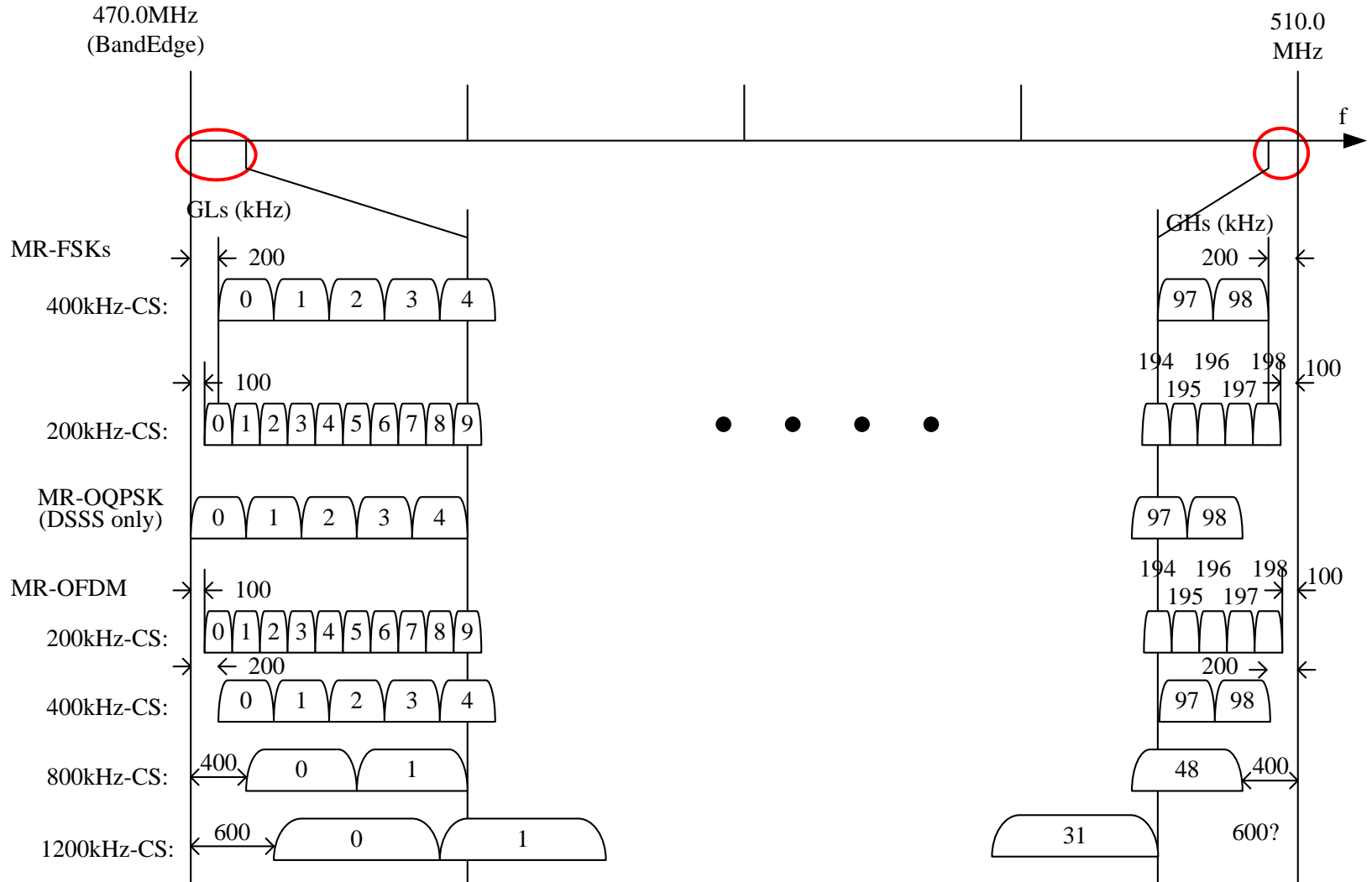
*; Not included in D2 though possible under the current regulatory

**; Not confirmed and subjected to change

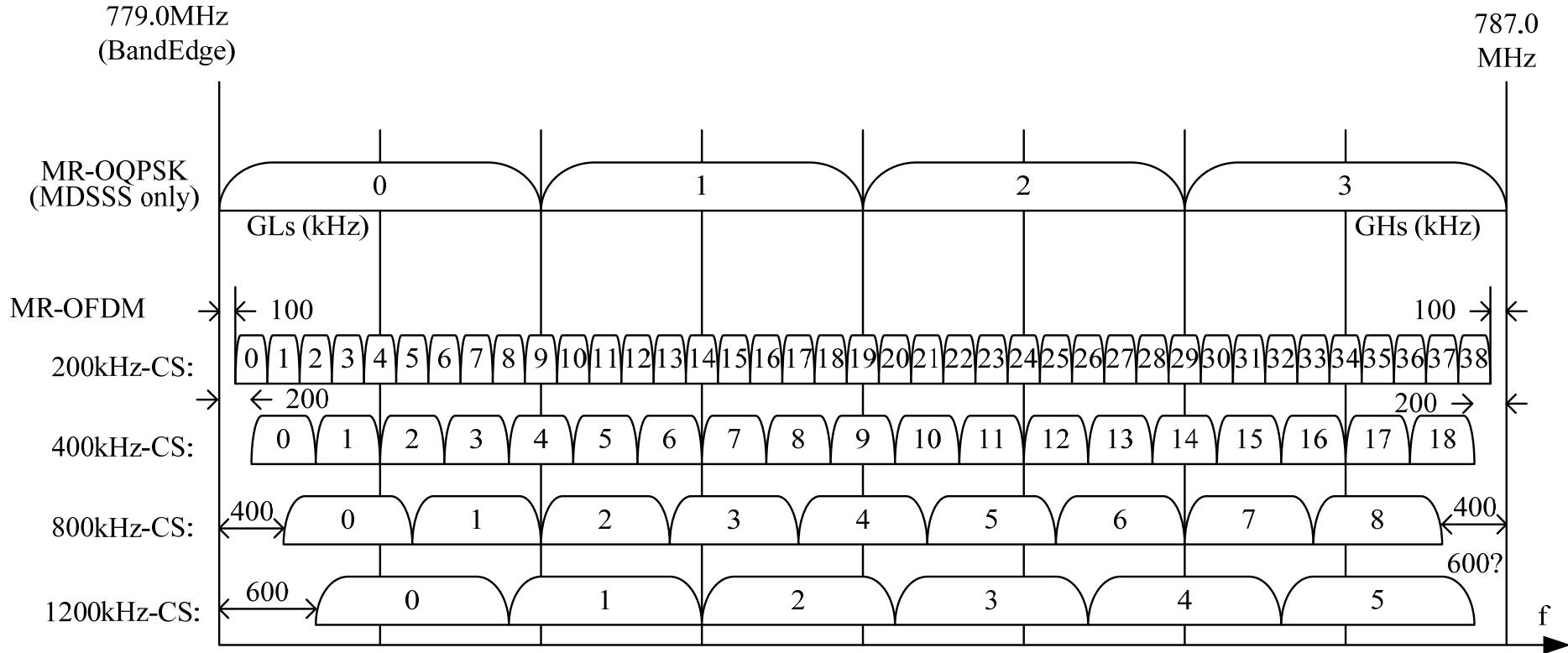
863-870 MHz Band



470-510 MHz Band



779-787 MHz Band



2400 - 2483.5 MHz Band

~ GL and GH calculation~

- If GL is set to $ChanSpacing/2$, and setting GH approximately 5MHz as in current Draft D2, then
 - For 200kHz CS – total number of channel is 392, and GH is 5MHz
 - For 400kHz CS – total number of channel is 195, and GH is 5.3MHz

2400-2483.5 MHz Band

~Modification on Draft Text~

- Proposal: Replace the sentence in pg. 16 line 20
 - “For the 2.4GHz band, GH is 5MHz.”with
 - “For the 2.4GHz band, GL is $ChanSpacing/2$, GH is 5MHz for 200kHz CS and 5.3MHz for 400kHz CS.”

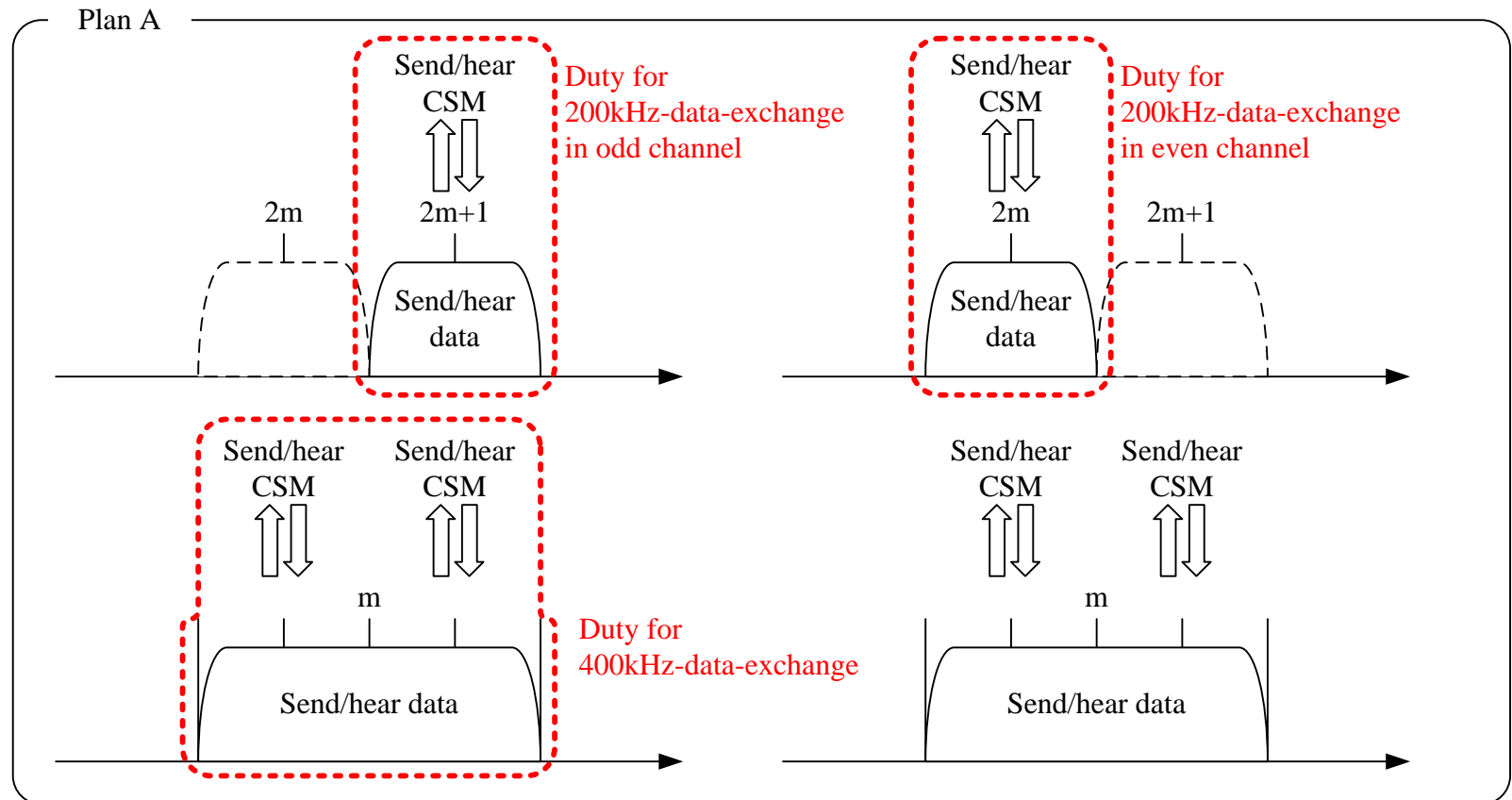
EB/EBR Exchange (in CSM) Operation Example: Japanese Band

CSM Operation in Japanese band

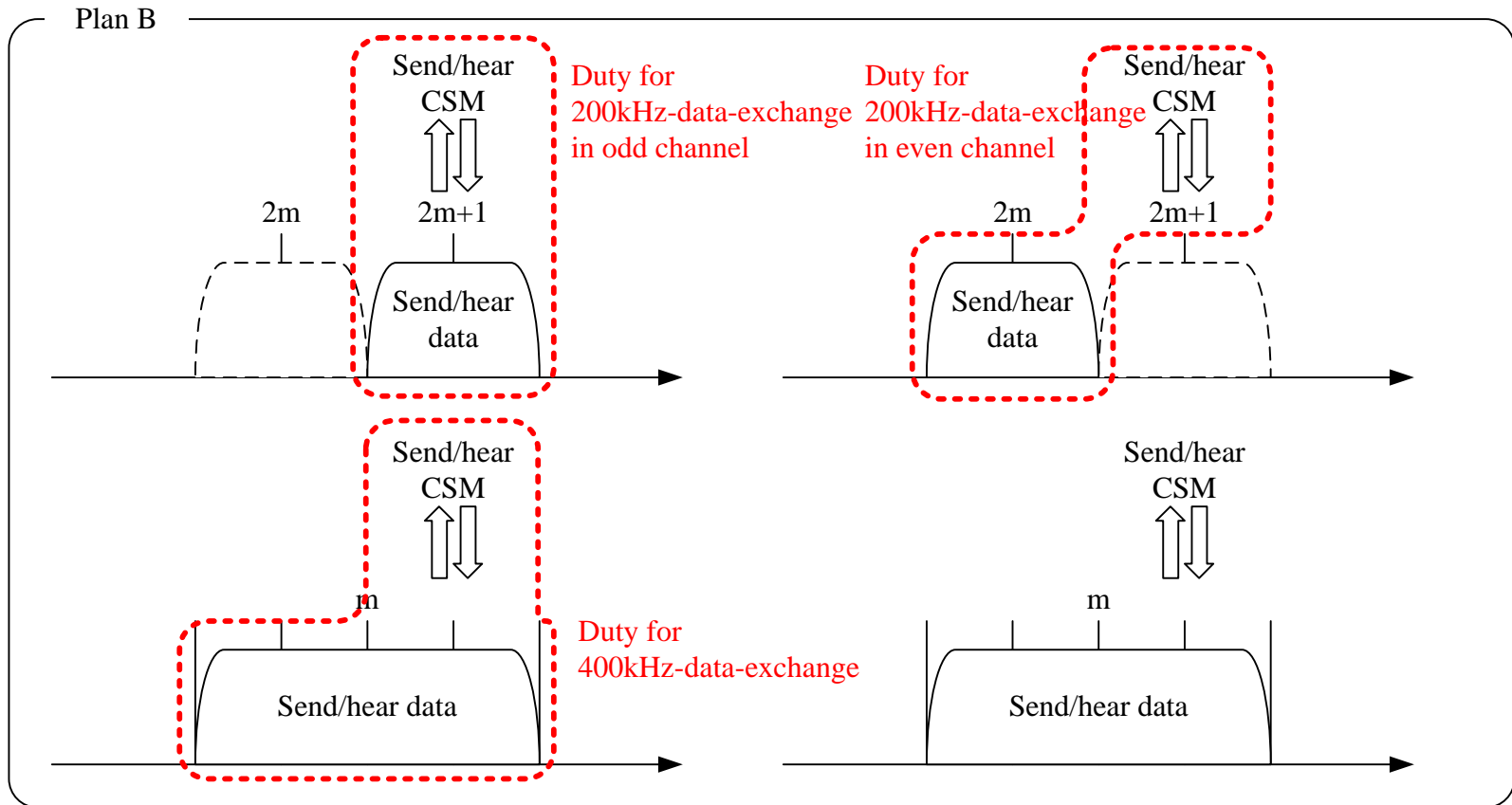
- In the Japanese band, no frequency hopping is specified
- Hence, EB/EBR and CSM shall be utilized mainly for interference avoidance in non-hopping systems
- The following slides show how the EB/EBR (through CSM) is exchanged across systems with different Channel Spacing (CS)
- Plan A requires the ‘wide CS’ system to perform heavier workload by exchanging EB/EBR (CSM) in every ‘narrow CS’ it overlaps with
 - Wide CS has heavier workload for EB/EBR (CSM) exchanging
 - Narrow CS needs not switch channel for EB/EBR (CSM) exchanging
- Plan B requires the ‘narrow CS’ system to perform heavier workload by exchanging CSM in every possible channel overlapping with a ‘wide CS’ system
 - Wide CS has lighter workload for EB/EBR (CSM) exchanging
 - Narrow CS may need to switch channel for EB/EBR (CSM) exchanging
- While the current Japanese band is illustrated by the ‘not-aligned channelization’ slides, the ‘aligned channelization’ slides are also shown for reference

CSM usage in “not-aligned” channelization

Plan A: Work more in 400kHz CS

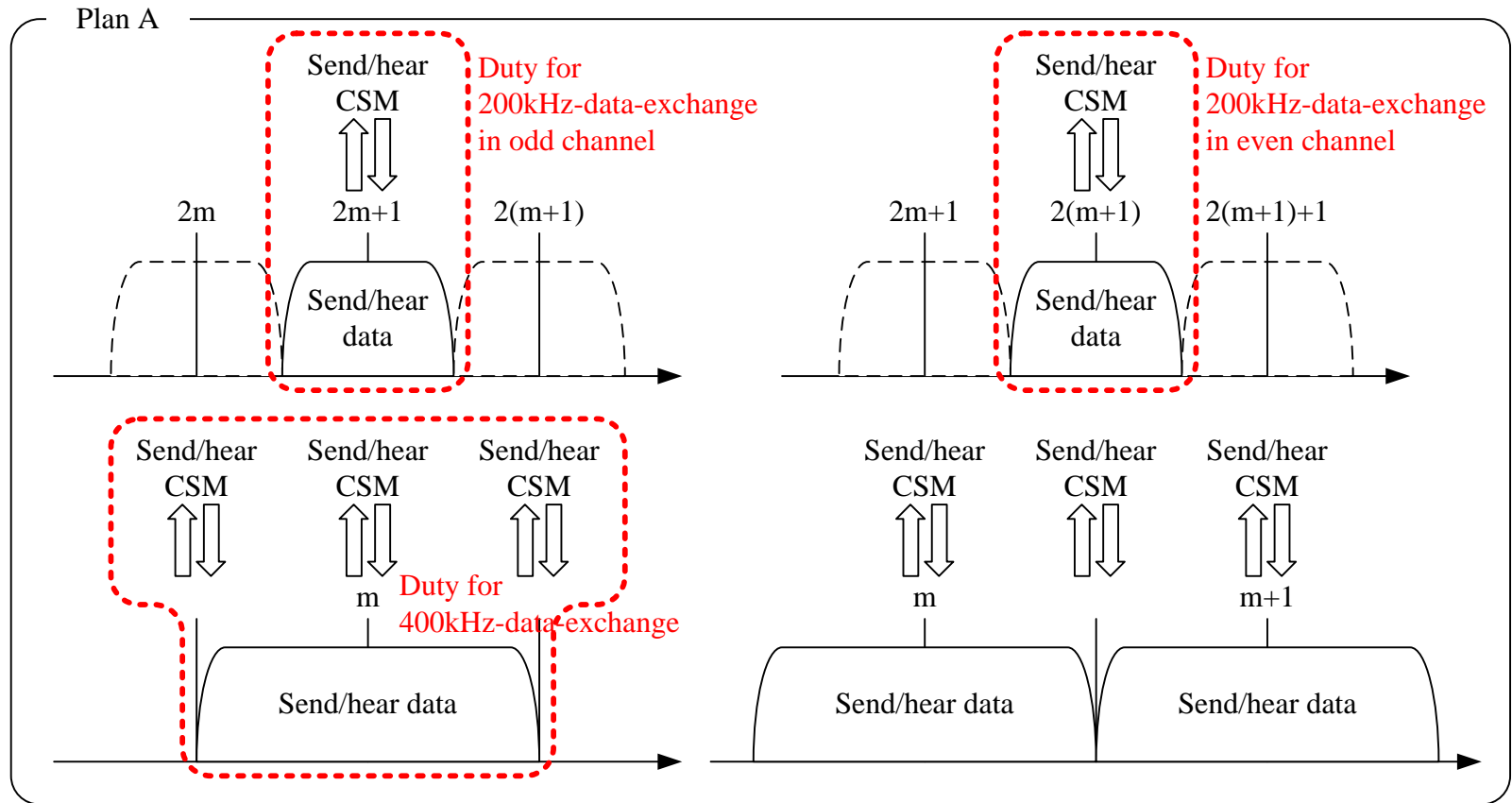


CSM usage in “not-aligned” channelization Plan B: Work more in 200kHz CS



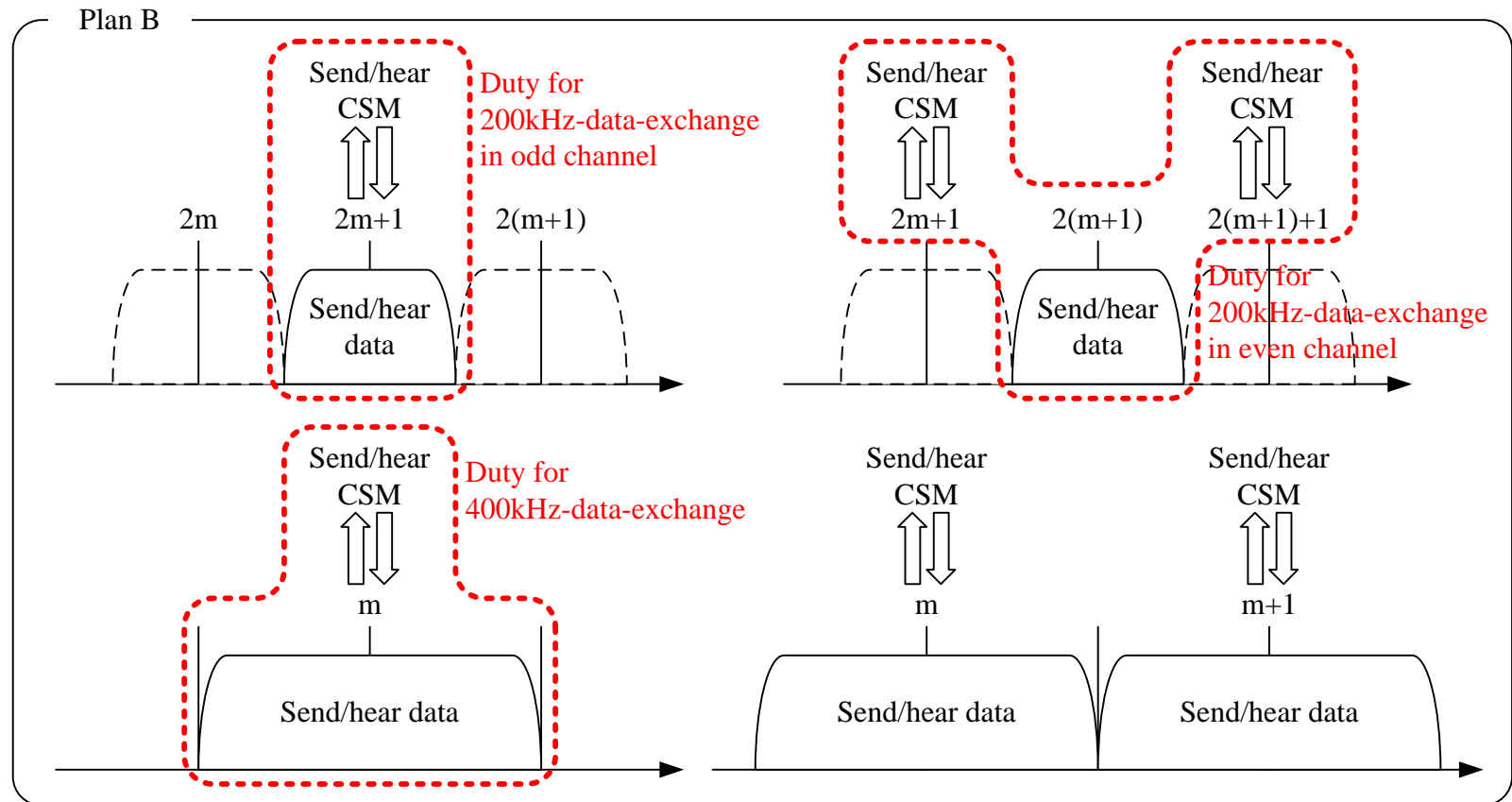
CSM usage in “aligned” channelization

Plan A: Work more in 400kHz CS



CSM usage in “aligned” channelization

Plan B: Work more in 200kHz CS



Conclusion

- For a frequency hopping system, channel alignment (center frequency alignment for 200kHz CS and 400kHz CS) between systems with different channel spacing is important to facilitate EB/EBR exchange
 - Suggestions are provided to improve the text in the 2.4GHz band channel numbering
- For a non-frequency hopping system, EB/EBR may be exchanged between systems with different channel spacing in both the ‘channel-aligned’ and ‘channel-non-aligned’ cases
 - The actual channel used for exchanging the EB/EBR can be determined by a parameter in the primitive (refer 10/872r3) prior to operation
- The primitive in 10/872r3 may also be applicable to facilitate the advanced EB/EBR exchange (as proposed in 10/771r6) employing a reduced set of channels