

July 2010

doc.: IEEE 802.15-10-0521-01-0007

**Project: IEEE P802.15 Working Group for Wireless Personal Area Networks (WPANs)**

**Submission Title:** comment and resolution about CID 59 and etc.

**Date Submitted:** 9<sup>th</sup> July, 2010

**Source:** Jaeseung Son

**Company:** Samsung Electronics Co.,LTD

**Address:** Dong Suwon P.O. Box 105, 416 Maetan-3dong, Yeongtong-gu, Suwon-si, Gyeonggi-do, 443-742  
Korea

**Voice:**[82-31-279-5285], **FAX:** [82-31-279-5130], **E-Mail:**[js1007.son@samsung.com]

**Re:** []

**Abstract:** Collect PHY Header related comment to resolve together

**Purpose:** Contribution to IEEE 802.15.7 TG-VLC

**Notice:** This document has been prepared to assist the IEEE P802.15. It is offered as a basis for discussion and is not binding on the contributing individual(s) or organization(s). The material in this document is subject to change in form and content after further study. The contributor(s) reserve(s) the right to add, amend or withdraw material contained herein.

**Release:** The contributor acknowledges and accepts that this contribution becomes the property of IEEE and may be made publicly available by P802.15.

CID 59, 64, 71, 73

72, 74, 76, 77

515, 518, 524, 528

## CID 59 (Subclause 5.5.1, page 6)

### Comment

- (SY) This clause shows the diagram for the transmit module in figure 4, but no diagram for the receive module.

### Suggested Remedy

- Add a figure for the receive module.

### Resolution/instruction to editor

- My suggestion is **Reject**.
- originally the receiver is exist, during the discussion the committee decided to delete the receiver side. Because, we agree that the scope of this standard is not include the receiver side.

## CID 64 (Subclause 6.4.1.6, page 42, line 9)

### Comment

- DME is missing from Figure 3

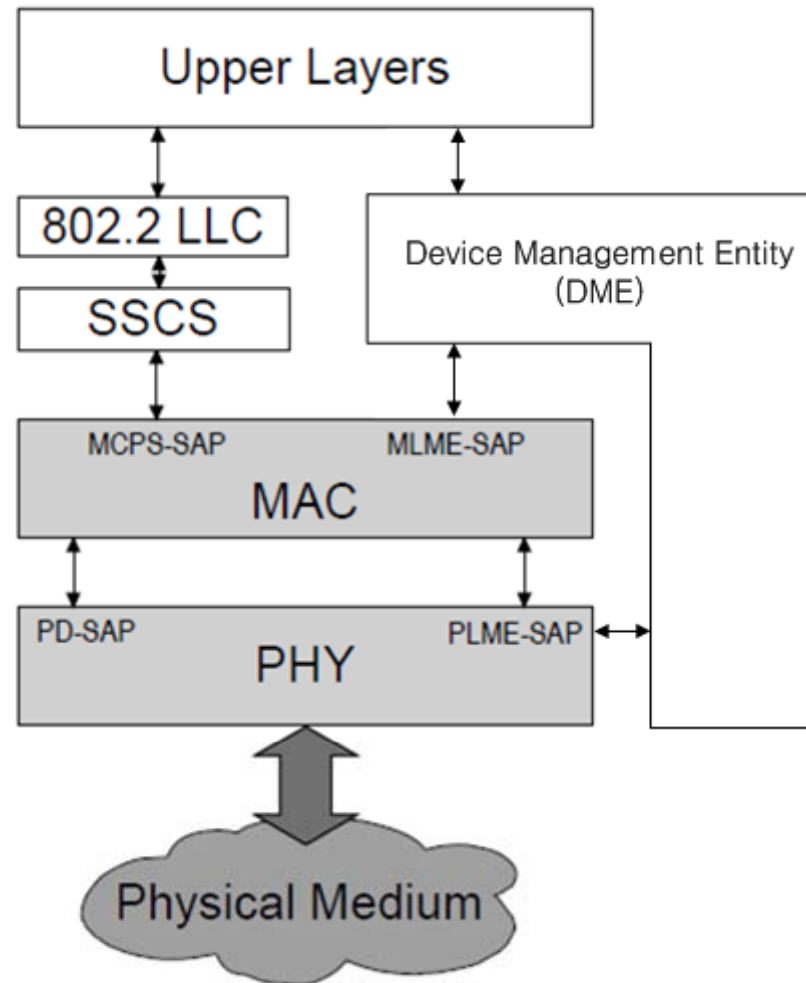
### Suggested Remedy

- Modify figure 3 to include DME

### Resolution/instruction to editor

- My suggestion is **Accept**.
- Instruction to editor: insert DME in figure 3. please refer next slide.

# CID 64 (Subclause 6.4.1.6, page 42, line 9)



## CID 71 (Subclause 5.5.2, page 8, line 47)

### Comment

- (see comment on 5.6.1) GTS concept is not flexible enough for today's applications.

### Suggested Remedy

- remove "GTS management,"

### Resolution/instruction to editor

- My suggestion **Reject** as per 10/407r1.

## CID 73 (Subclause 5.5.1.4, page 8, line 16)

### Comment

- This subclause says nothing, delete it.

### Suggested Remedy

- Delete 5.5.1.4, moving the

### Resolution/instruction to editor

- My suggestion **Reject**
- Each PHY type does not need to communicate each other.

## CID 72

add dimming and visibility support to MAC sublayer explanation

- add dimming and visibility support to MAC sublayer explanation

Resolution/instruction to editor

- **Accept.** Section 5.5.2, page 8, line 48 Add “The MAC also provides visibility and dimming support”.



## CID 74

Use of the word "can" instead of "shall"

- The PHY types shall co-exist but do not need to interoperate.

Resolution/instruction to editor

- **Accept.** Do not use normative text in this section.

# CID 76, 77

It is not clear what shape of spectrum in the modulation domain VPM for intra-frame flicker compensation has and whether this spectrum covers only one side of the spectrum of Figure 5.

- Need to verify this spectrum so as to show that the CCA concept can be applied and to figure out how this concept can be applied to VPM.

Resolution/instruction to editor

- **Reject as per 10/494r0, slide 5 (even though it says accept in principle).** Type 1 CCA is ED and does not need spectral shape. Type 2/3 is carrier sense and it is just looking at the modulation signal energy and the clock rate. We already have looked at spectral shapes for different modulation and line coding techniques.

# CID 515,518,524,528

## Turn-around time related comments

- Refer DCN 392r1
- Tx-Rx : zero seems to be OK
- Rx-Tx : need to account for interleaver and decoder. May be different for different PHYs. Suggest 32 optical clock cycles for PHY I & 512 symbols for PHY II & III.

## Resolution/instruction to editor

- Change 'less than' to 'less than or equal to' or 'equal to'
- Separate Tx-Rx and Rx-Tx
- Use 'equal to 0' for Tx-Rx aTurnaroundTime
- Use 'less than' to 'less than or equal to' '32' for PHY I, Rx-Tx aTurnaroundTime
- Use 'less than' to 'less than or equal to' '512' for PHY II & PHY III RX-TX aTurnaroundTime

# CID 515,518,524,528

Constant	Description	Value
aMaxPHYPacketSize	The maximum PSDU size (in octets) the PHY shall be able to receive.	PHY I : 1,023 bytes PHY II & III : 65,535 bytes
Tx-Rx aTurnaroundTime	TX-to-RX maximum turnaround time (see 6.9.1)	Equal to zero optical clock cycle
Rx-Tx aTurnaroundTime	RX-to-TX maximum turnaround time (see 6.9.2)	PHY I : less than or equal to 240 optical clock cycle  PHY II & III : less than or equal to 5120 optical clock cycle