

Project: IEEE P802.15 Working Group for Wireless Personal Area Networks (WPANs)

Submission Title: [Proposed resolution for comments on data flow processing order, w/r/t FEC and Data Whitening, for MR-FSK PHYs]

Date Submitted: [May, 2010]

Source: [Daniel Popa, Hartman Van Wyk] Company [Itron, Inc.]

Address [76 Avenue Pierre Brossolette, 92240 Malakoff, France]

Voice: [+33 158351760], E-Mail:[{ daniel.popa, hartman.vanwyk }@itron.com]

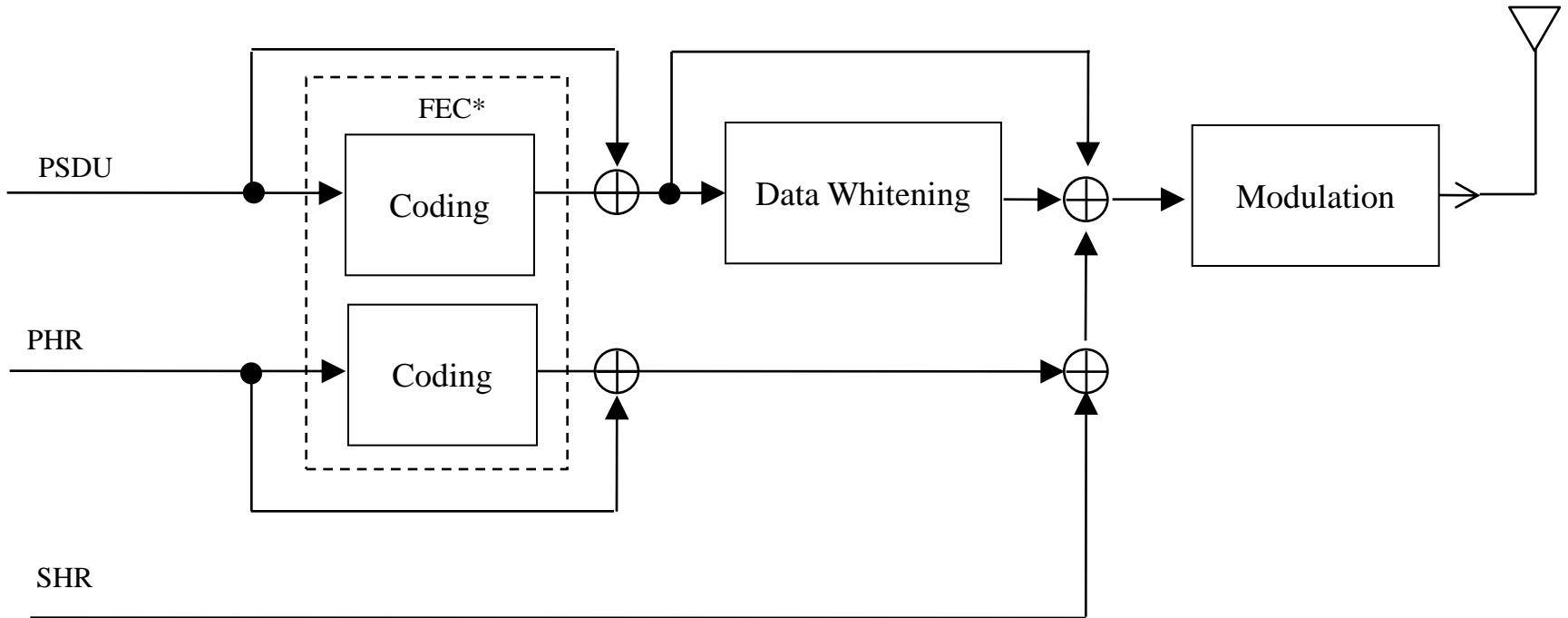
Re: []

Abstract: []

Purpose: [Proposed resolution for comments on data flow processing order, w/r/t FEC and Data Whitening, for MR-FSK PHYs. Presented to the 802.15.4g SUN Task Group for consideration.]

Notice: This document has been prepared to assist the IEEE P802.15. It is offered as a basis for discussion and is not binding on the contributing individual(s) or organization(s). The material in this document is subject to change in form and content after further study. The contributor(s) reserve(s) the right to add, amend or withdraw material contained herein.

Release: The contributor acknowledges and accepts that this contribution becomes the property of IEEE and may be made publicly available by P802.15.



* When FEC is enabled, PHR and PSDU shall be coded as a single block of data, as described in <Insert correct subclause number>