

**Project: IEEE P802.15 Working Group for Wireless Personal Area Networks (WPANs)**

**Submission Title:** [Chirp Signaling UWB scheme]

**Date Submitted:** [January 2005]

**Source:** [Huan-Bang Li(1), Kenichi Takizawa(1), Shigenobu Sasaki(1), Shinsuke Hara(1), Makoto Itami(1), Tetsushi Ikegami(1), Ryuji Kohno(1), Toshiaki Sakane(2), Kiyohito Tokuda(3)]

Company [(1)National Institute of Information and Communications Technology (NICT), (2)Fujitsu Limited, (3)Oki Electric Industry Co., Ltd.]

E-Mail: [lee@nict.go.jp]

**Re:** [Optional mode on TG4a UWB-PHY baseline]

**Abstract** [This document describes chirp-signal UWB(CS-UWB), which is one of the optional mode on the UWB-PHY baseline for TG4a. ]

**Purpose:** [Providing technical contributions for standardization by IEEE 802.15.4a. ]

**Notice:** This document has been prepared to assist the IEEE P802.15. It is offered as a basis for discussion and is not binding on the contributing individual(s) or organization(s). The material in this document is subject to change in form and content after further study. The contributor(s) reserve(s) the right to add, amend or withdraw material contained herein.

**Release:** The contributor acknowledges and accepts that this contribution becomes the property of IEEE and may be made publicly available by P802.15.

# Chirp Signaling UWB Scheme

**Huan-Bang Li, Kenichi Takizawa, Shigenobu Sasaki, Shinsuke Hara,  
Makoto Itami, Tetsushi Ikegami, and Ryuji Kohno**

National Institute of Information and Communications Technology (NICT), Japan

**Toshiaki Sakane**  
Fujitsu Limited,

**Kiyohito Tokuda**  
Oki Electric Industry Co. Ltd.

# Outlines

- Introduction of chirp signaling UWB.
- Technical advantages
- Link budget examples
- Performance examples on SOP
- Concluding remarks

Reference: 15-04-0648-02-004a

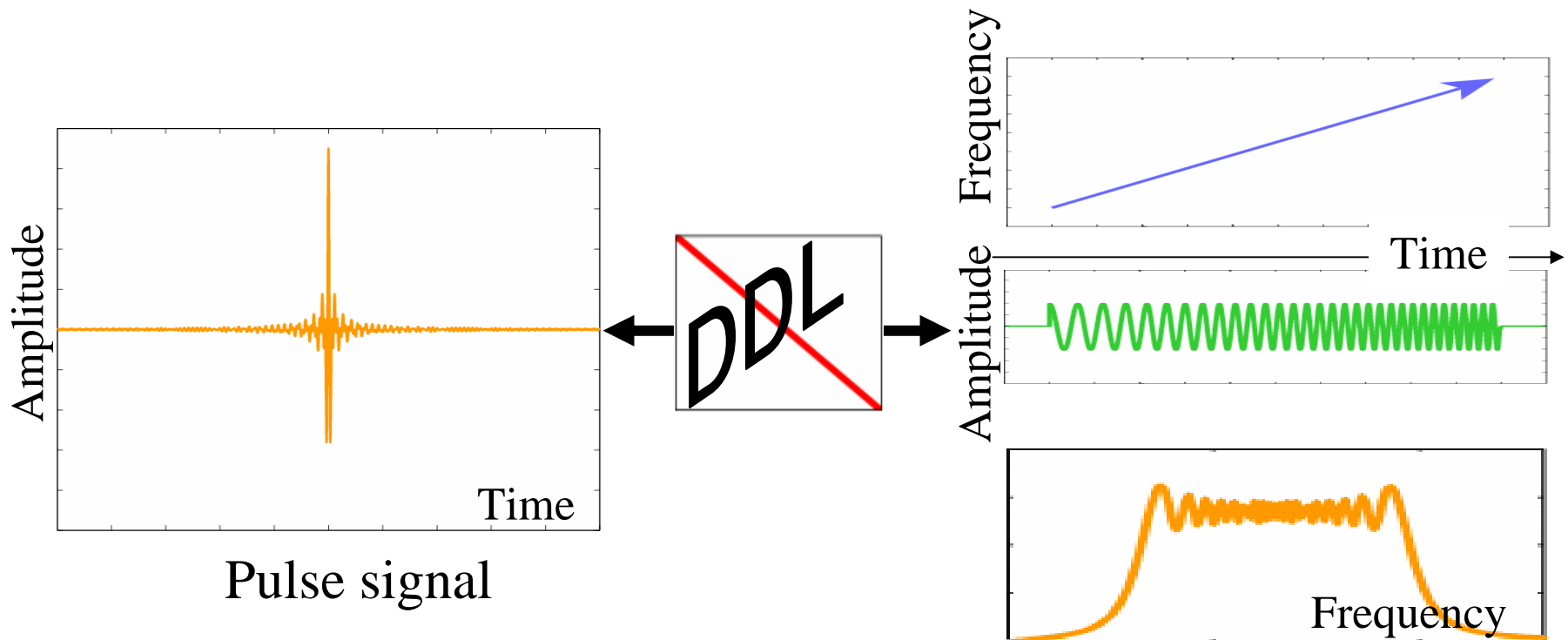
15-04-0716-01-004a

# Benefits of chirp signaling (CS) UWB

- **Additional dimension for SOP**
  - Chirp slop and/or chirp pattern
  - Available to be combined with DS-code and/or frequency subbands
- **Low Peak-to-average ratio**
  - Efficient use of FCC spectrum mask
  - Less interference level, better coexistence.
- **Enhancement of robustness against multipath**
  - Better autocorrelation than DS-UWB.
- **Potential ability to increase ranging precision**
  - Benefit from excellent autocorrelation

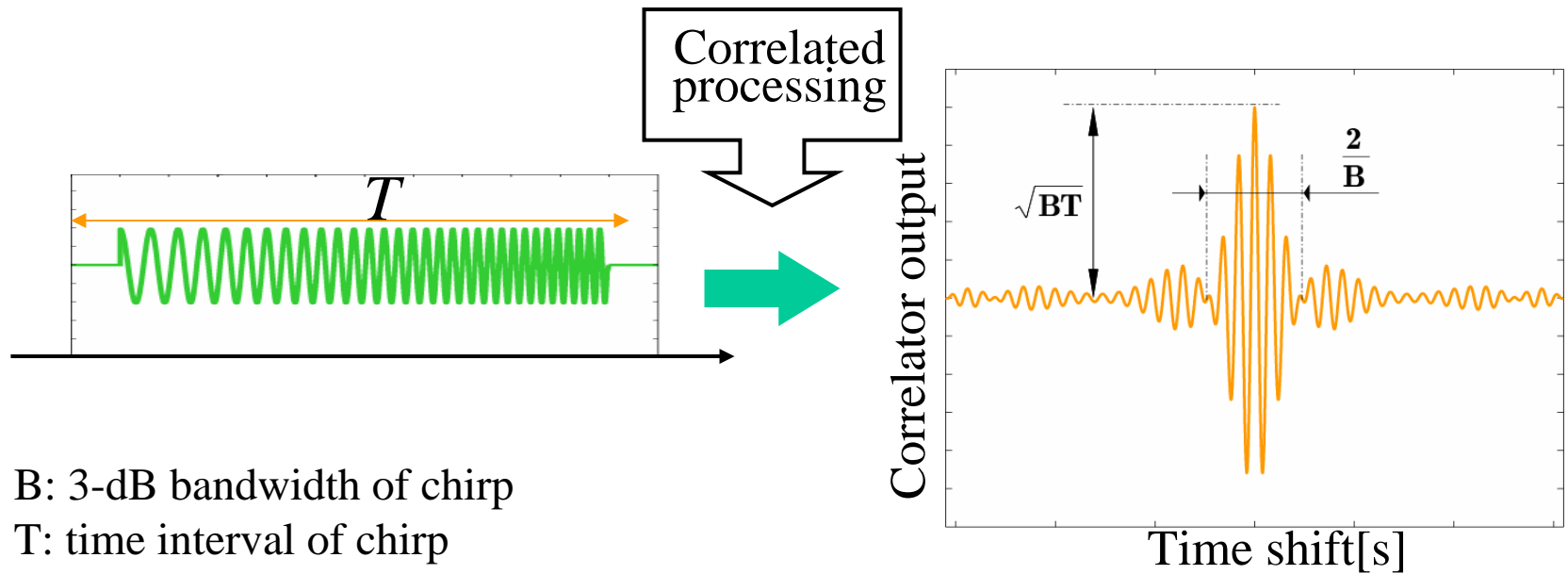
# Generation of CS-UWB

- CS-UWB can be generated by passing a pulse signal through a distributed delay line (DDL) such as a SAW DDL.



# Correlated processing

- Correlated processing produces not only high precision ranging but also robustness against noise and multipath.



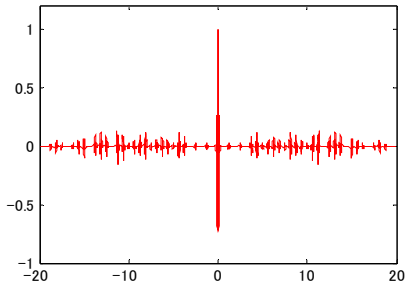
B: 3-dB bandwidth of chirp  
T: time interval of chirp

The wide the bandwidth, the sharp the peak.

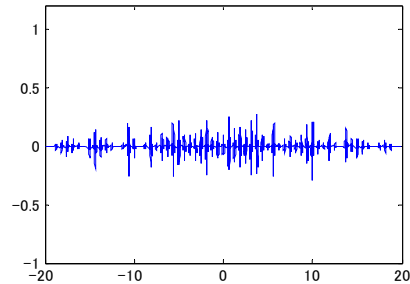
# Correlation characteristics

## DS-UWB

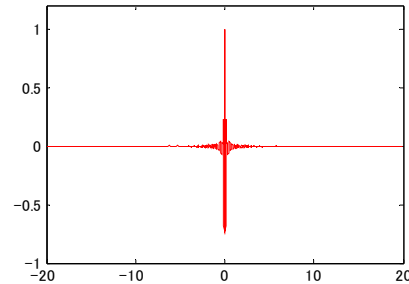
## Chirp Signal



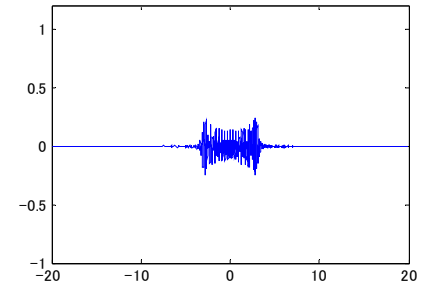
Auto-correlation



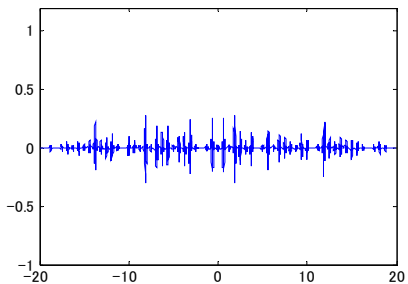
Cross-correlation



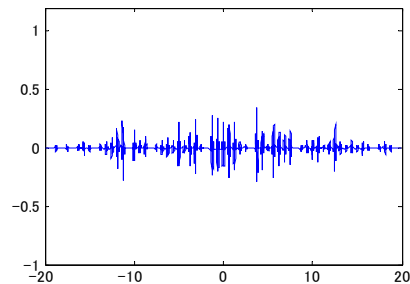
Auto-correlation



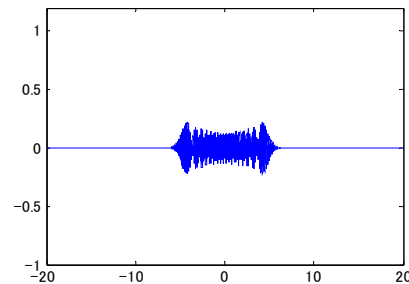
Cross-correlation



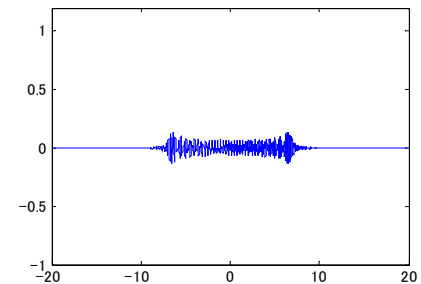
Cross-correlation



Cross-correlation

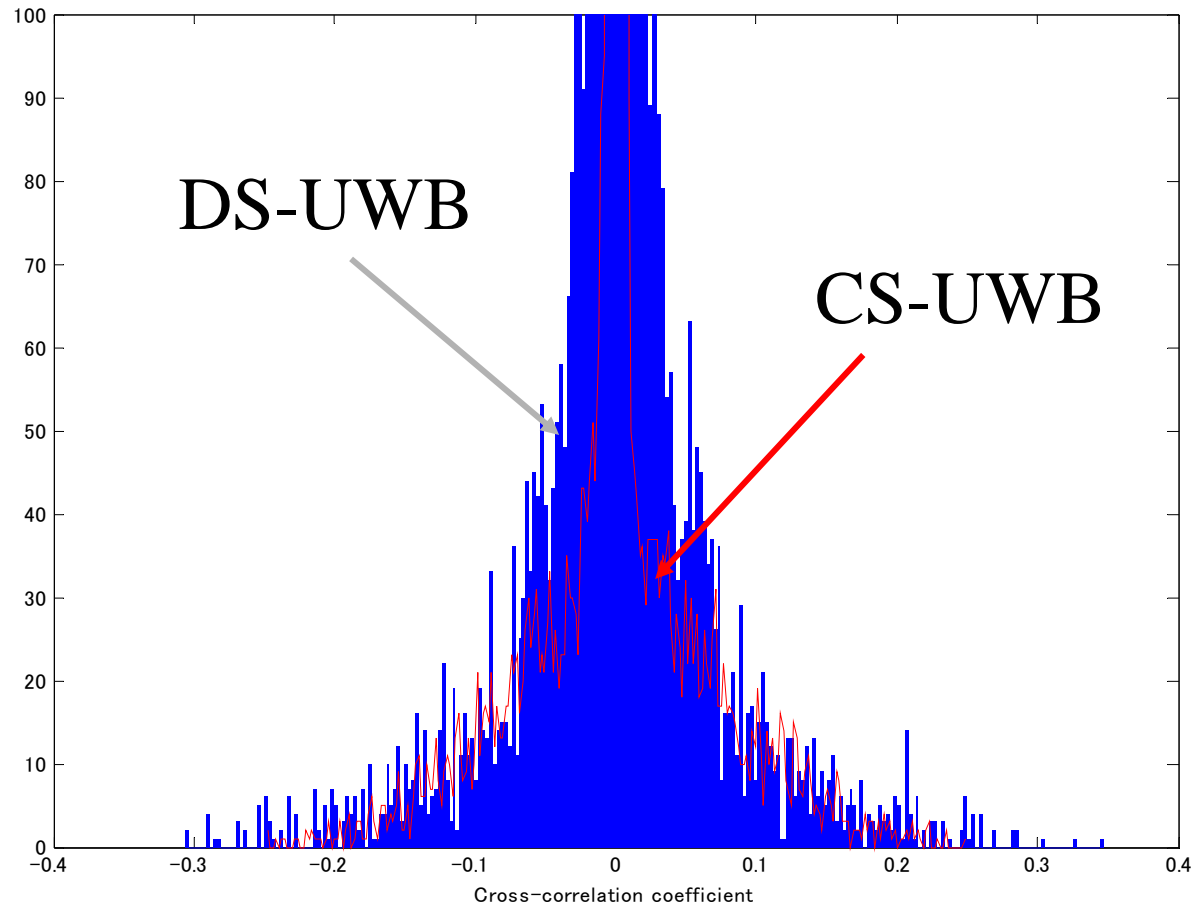


Cross-correlation



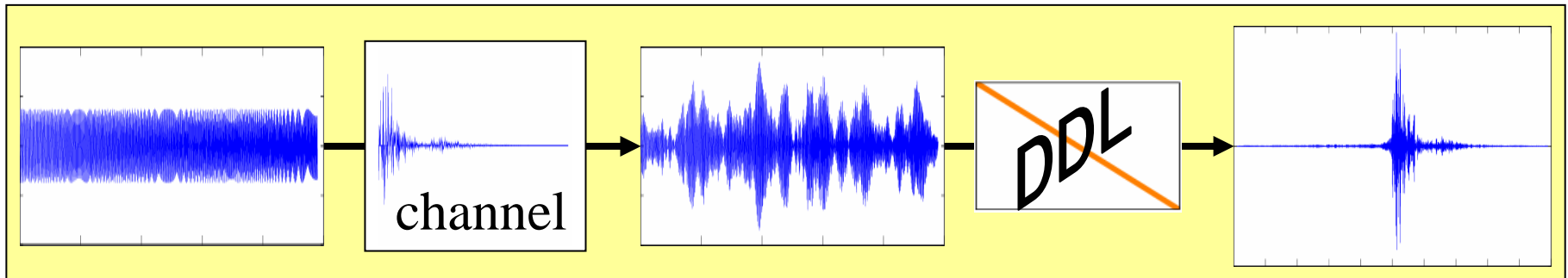
Cross-correlation

# Cross correlation coefficient





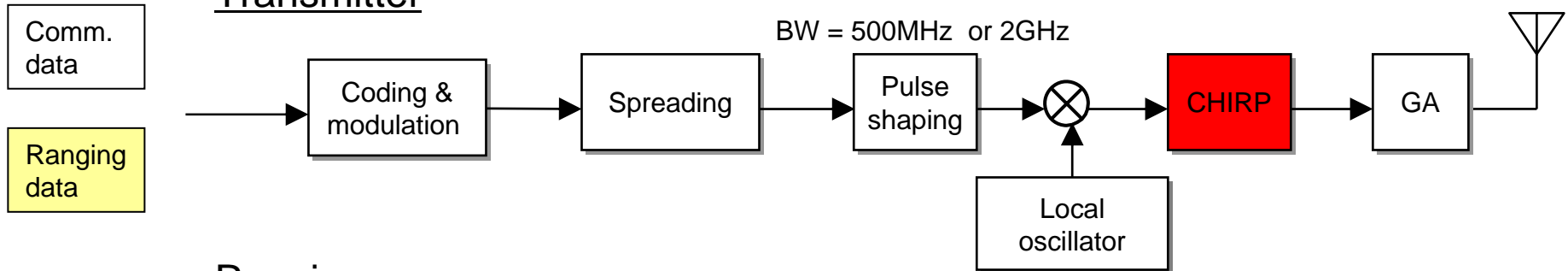
# Robustness against multipath and interference



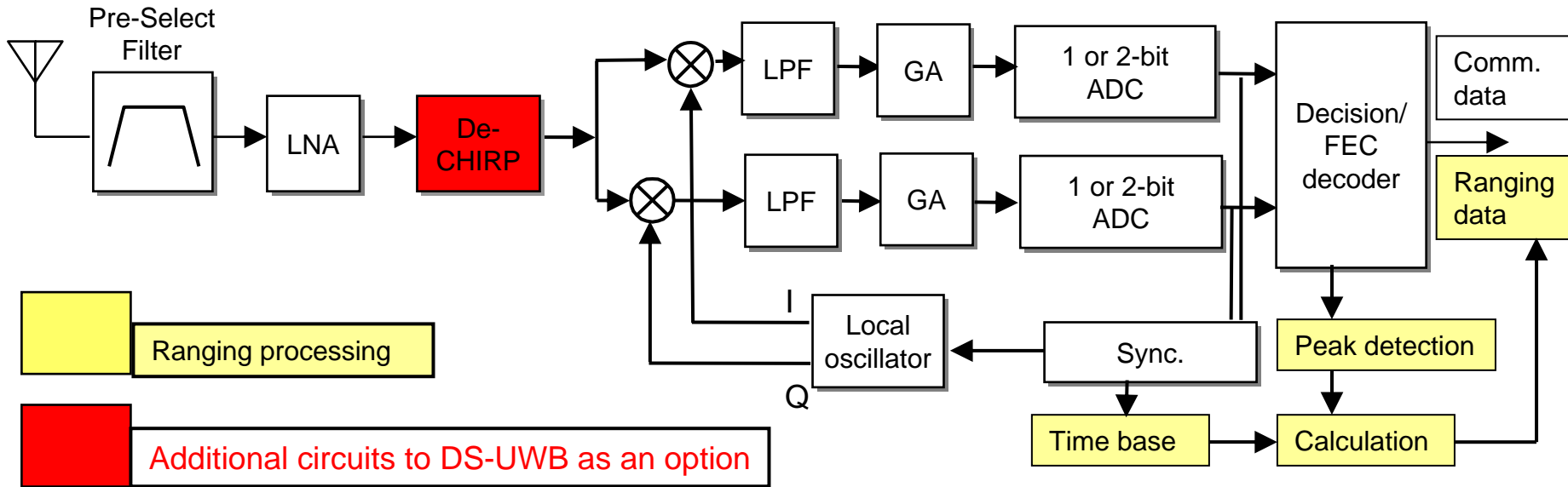
**Due to the excellent correlation characteristics, correlator can detect a signal even under heavy multipath and interference channel.**

# Overall Block Diagram With Optional CS

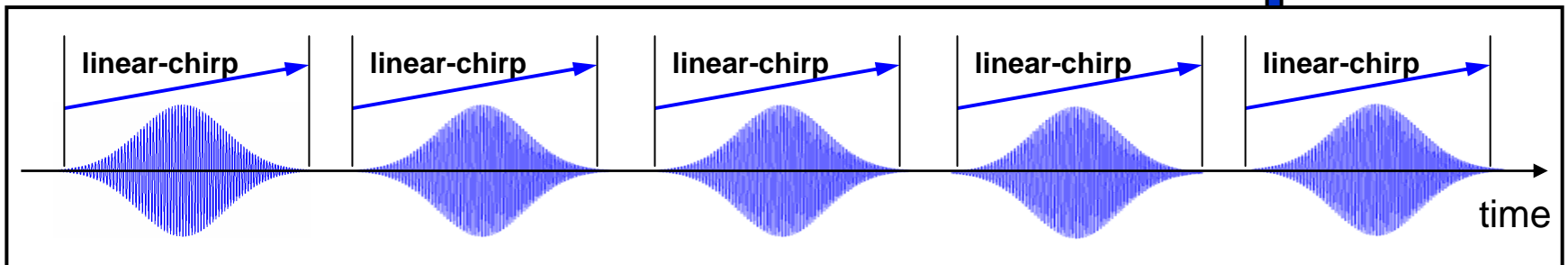
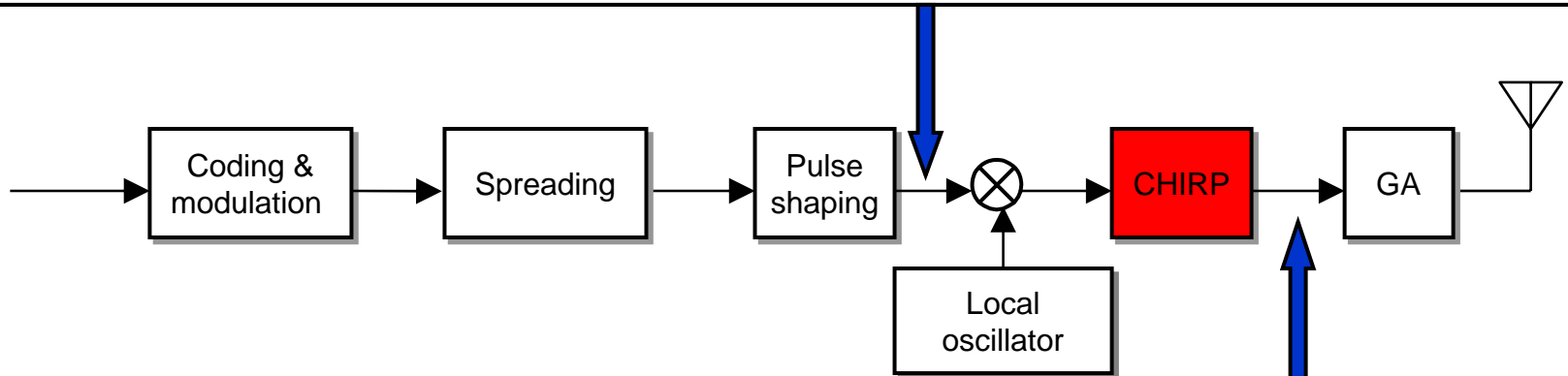
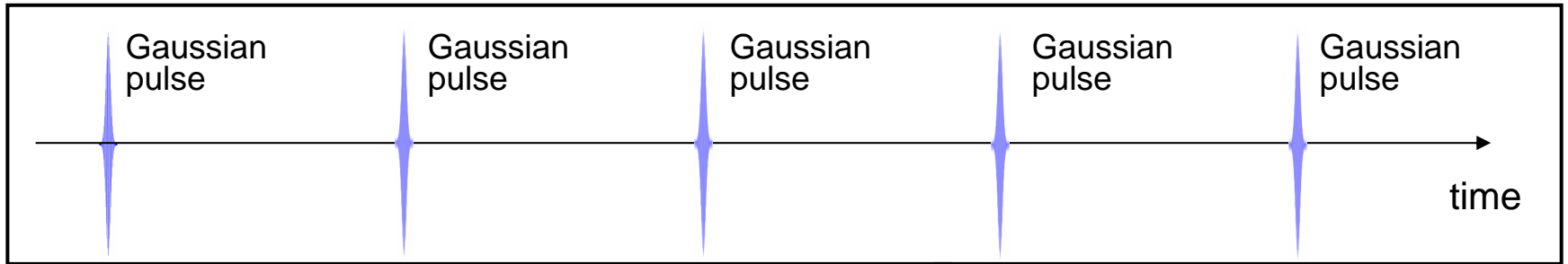
## Transmitter



## Receiver



# Waveforms With & Without Optional CS



# DS-UWB Link Budget (BW=500MHz)

Parameter	Value	Value	Notes
Data rate (Rb)	1	1024	(kbps)
Modulation	BPSK		Coherent detection
Coding rate (R)	1/2		(24,12)-Extended Golay Hard-decision decoding
Raw Symbol rate (Rs)	2	2048	Rs=Rb/R (ksymbol/s)
Pulse duration (Tp)	2.649	2.649	(ns)
Spreading code length (Ns)	1024	64	
Chip rate (Rc)	2.048	131.072	=Rs*Ns (MHz)
Chip duration	488.3	7.63	=1/Rc (nsec)

Parameter	Value	Value	Unit
Distance (d)	30	10	m
Peak payload bit rate (Rb)	1	1024	kbps
Average Tx power (Pt)	-16.9		dBm
Tx antenna gain (Gt)	0		dBi
Frequency band	3.85 - 4.35		GHz
Geometric center frequency (fc)	4.09		GHz
Path loss @ 1m (L1)	44.68		dB
Path loss @ d m (Ld)	29.54	20.00	dB
Rx antenna gain (Gr)	0		dBi
Rx power (Pr)	-91.12	-81.58	dBm
Average noise power per bit (N)	-144.00	-114.00	dBm
Rx Noise figure (Nf)	7.00		dB
Average noise power per bit (Pn)	-137.00	-106.90	dBm
Minimum required Eb/N0 (S)	6.25		dB
Implementation loss (I)	3.00		dB
<b>Link Margin</b>	36.63	16.07	dB
<b>Min. Rx Sensitivity Level</b>	-127.75	-97.65	dBm

# CS-UWB Link Budget (BW=500MHz)

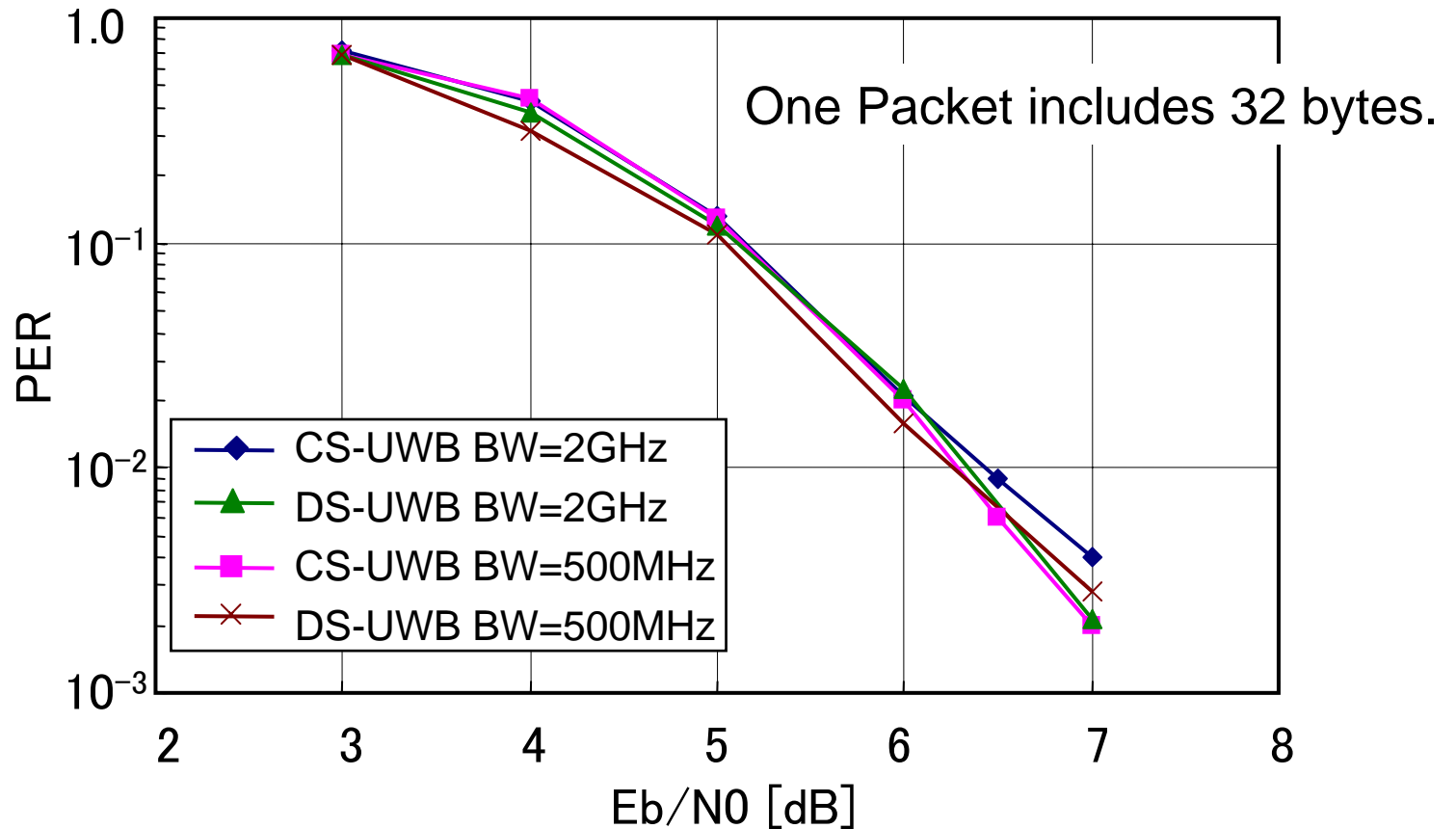
Parameter	Value	Value	Notes
Data rate (Rb)	1	1024	(kbps)
Modulation	BPSK		Coherent detection
Coding rate (R)	1/2		(24,12)-Extended Golay Hard-decision decoding
Raw Symbol rate (Rs)	2	2048	Rs=Rb/R (ksymbol/s)
Chirp signal duration (Tc)	25		(ns)
Spreading code length (Ns)	1024	4	
Chip rate (Rc)	2.048	8.192	=Rs*Ns (MHz)
Chip duration	488.3	122.1	=1/Rc (nsec)

The items given in red characters have different values from those of DS

Parameter	Value	Value	Unit
Distance (d)	30	10	m
Peak payload bit rate (Rb)	1	1024	kbps
Average Tx power (Pt)	<b>-15.38</b>		dBm
Tx antenna gain (Gt)	0		dBi
Frequency band	3.85 – 4.35		GHz
Geometric center frequency (fc)	4.09		GHz
Path loss @ 1m (L1)	44.68		dB
Path loss @ d m (Ld)	29.54	20.00	dB
Rx antenna gain (Gr)	0		dBi
Rx power (Pr)	-89.60	-80.06	dBm
Average noise power per bit (N)	-144.00	-114.0	dBm
Rx Noise figure (Nf)	7.00		dB
Average noise power per bit (Pn)	-137.00	-106.90	dBm
Minimum required Eb/N0 (S)	6.25		dB
Implementation loss (I)	<b>3.50</b>		dB
<b>Link Margin</b>	<b>37.65</b>	<b>17.09</b>	dB
<b>Min. Rx Sensitivity Level</b>	-127.25	-97.15	dBm

Due to the low peak-to-average ratio, CS-UWB provides 1 dB additional link margins.

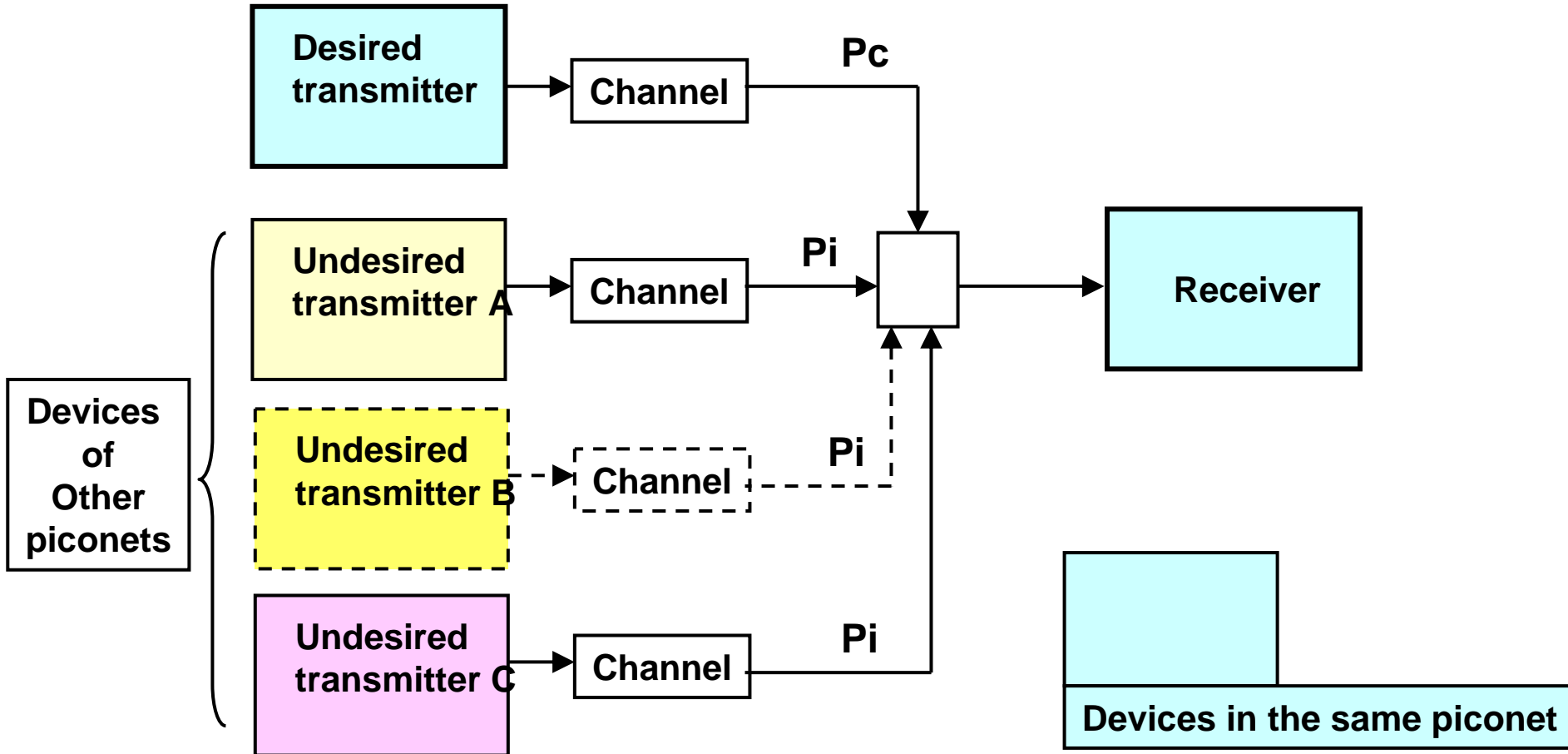
# Simulation results (Single link)



# Multiple Access Methods For SOP

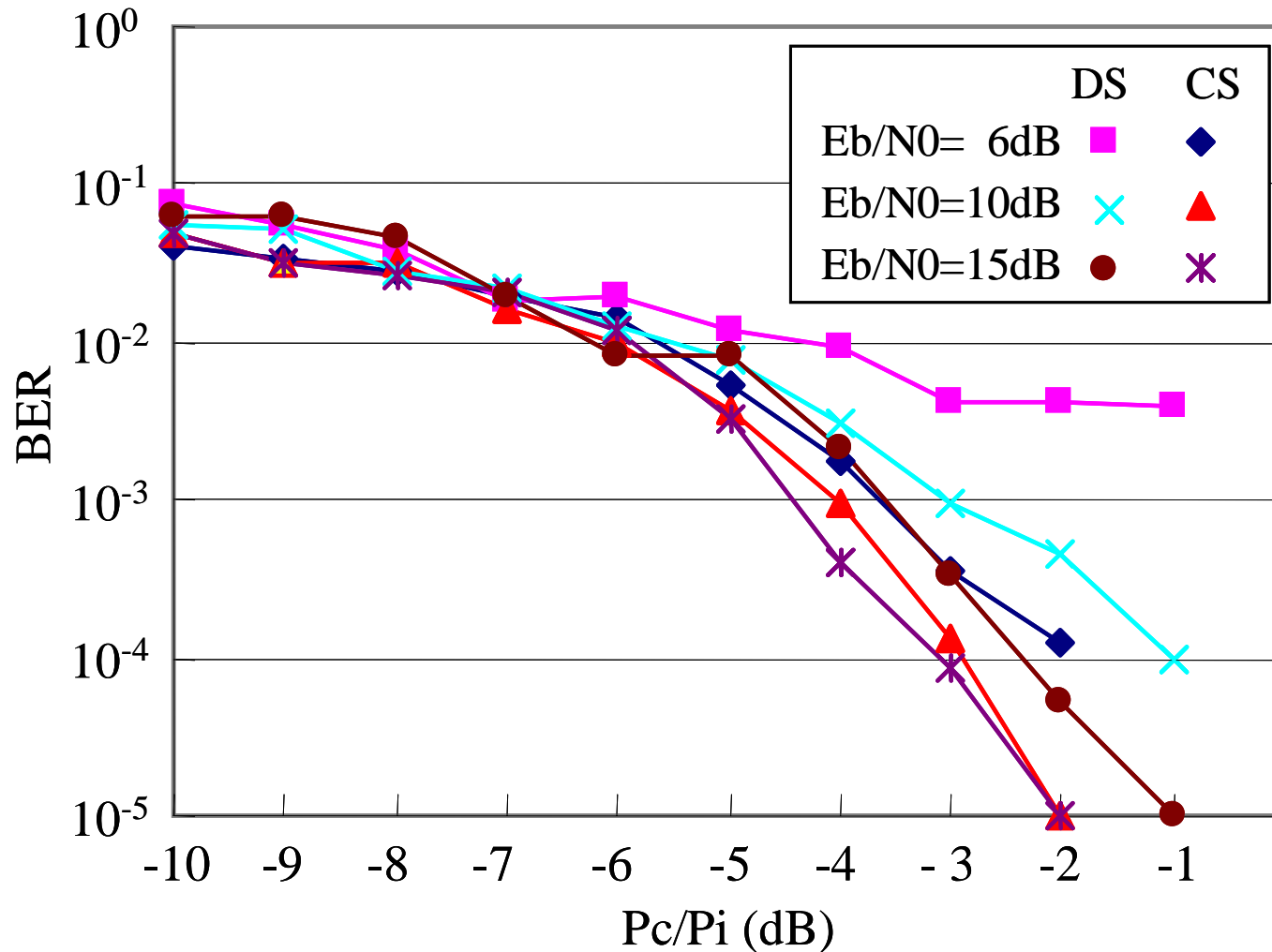
- FDM (frequency subbands)
  - Number is limited.
- CDM (different code sequences)
  - Possible codes reduced if we seek short length codes.
- Chirped pulses (in option):
  - **Plenty of source !** (chirp slope and pattern)
  - **Better performance than CDM !**

# Simulation block diagram for SOP





# Simulation results for SOP



# Scalability With PN Sequences

Data rate (R <sub>b</sub> )	Raw Symbol rate (R <sub>s</sub> )	Code length (N <sub>s</sub> )	Chip rate (R <sub>p</sub> )	Link margin at 10m	Notes
16 (kbps)	32 (ksps)	1024	32.768 (Mcps)	40.8 (dB)	
32 (kbps)	64 (ksps)	1024	65.536 (Mcps)	37.8 (dB)	
128 (kbps)	256 (ksps)	256	65.536 (Mcps)	31.8 (dB)	
256 (kbps)	512 (ksps)	256	131.072 (Mcps)	28.7 (dB)	
1024 (kbps)	2048 (ksps)	64	131.072 (Mcps)	22.7 (dB)	
<b>CS-UWB</b>					
16	32 (ksps)	64	2.048 (Mcps)	41.9 (dB)	100 (ns) chirp duration
128	256 (ksps)	16	4.096 (Mcps)	32.9 (dB)	100 (ns) chirp duration
1024	2048 (ksps)	4	8.192 (Mcps)	23.8 (dB)	100 (ns) chirp duration

# Conclusion remarks

- **High capacity for SOP**
  - Plenty of source with chirp
  - Combination with FDM and/or CDM
- **Additional link margins**
  - Low peak-to-average ratio.
- **Robustness against interference and multipath**
  - Excellent correlation characteristics
- **Potential high precision ranging.**
  - Excellent correlation characteristics
- **An selectivity for FFD and RFD**
  - Chirp vs. Non chirp