

**IEEE P802.15**  
**Wireless Personal Area Networks**

Project	IEEE P802.15 Working Group for Wireless Personal Area Networks (WPANs)	
Title	<b>Changes for the removal of using Imm-ACK frames as confirmation of Request commands</b>	
Date Submitted	[22 April, 2004]	
Source	[John Sarallo] [Apparent Technologies] [150 Lucius Gordon Drive, West Henrietta, NY 14586]	Voice: [585-727-2014] Fax: [585-214-2461] E-mail: [sarallo@apparent.com]
Re:	[]	
Abstract	[This document contains a list or proposed changes to IEEE Std 802.15.3.]	
Purpose	[The purpose of this document is to propose changes to IEEE Std 802.15.3 to improve compatibility, performance and clarity in the standard.]	
Notice	This document has been prepared to assist the IEEE P802.15. It is offered as a basis for discussion and is not binding on the contributing individual(s) or organization(s). The material in this document is subject to change in form and content after further study. The contributor(s) reserve(s) the right to add, amend or withdraw material contained herein.	
Release	The contributor acknowledges and accepts that this contribution becomes the property of IEEE and may be made publicly available by P802.15.	

# 1. Introduction

At the 802.15.3b meeting in Orlando, March 2004, document 04/138 proposed a change to IEEE 802.15.3. The change was to change the functionality described in the standard such that Imm-ACK frames were not used as part of management command frame exchanges. The reason for this change is because in some cases Imm-ACK frames were used as an indication that a command frame was both received by the destination and processed by the destination, when an Imm-ACK frame can only ever mean that the command frame was received and not that the command frame was processed.

## 1.1 Example message exchange

The MSC in Figure 1 is a representation of the type of management command frame exchange that this document addresses.

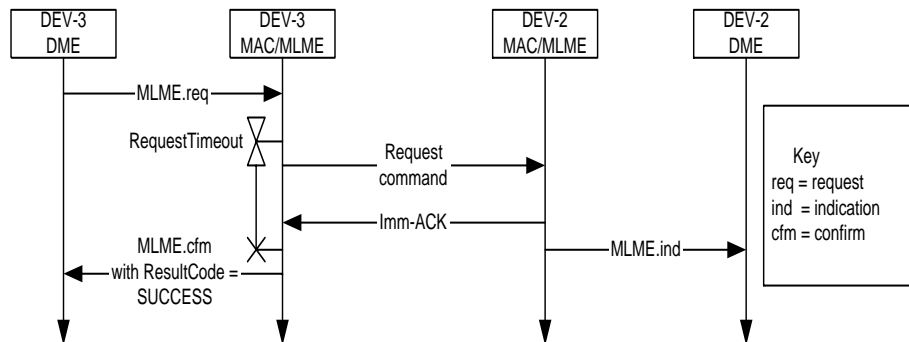


Figure 1— A representation of the frame exchange sequence address by this document

## 1.2 Addressing the issue

Discussion of this issue at the March 2004 meeting revealed that there are two separate situations in which this problem frame exchange sequence was used.

The first was a situation where acknowledgement that the command frame transmitted over the air was both received and processed was needed. For these scenarios, the solution is to replace the Imm-ACK frame with an explicit command frame.

The MSC in Figure 2 is a representation of how the MSC in Figure 1 would need to change in this case.

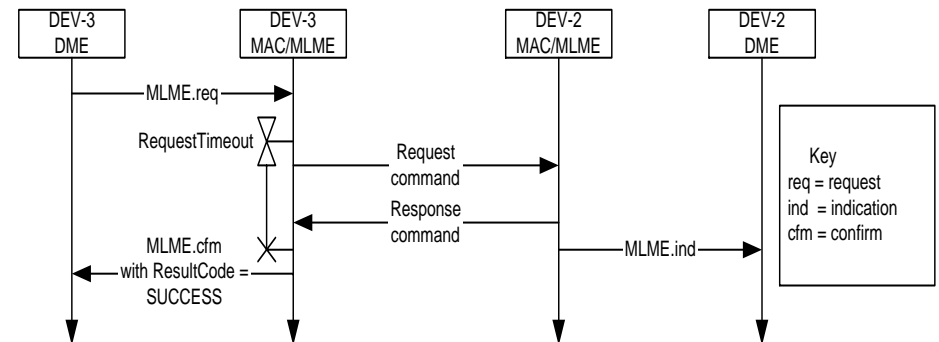
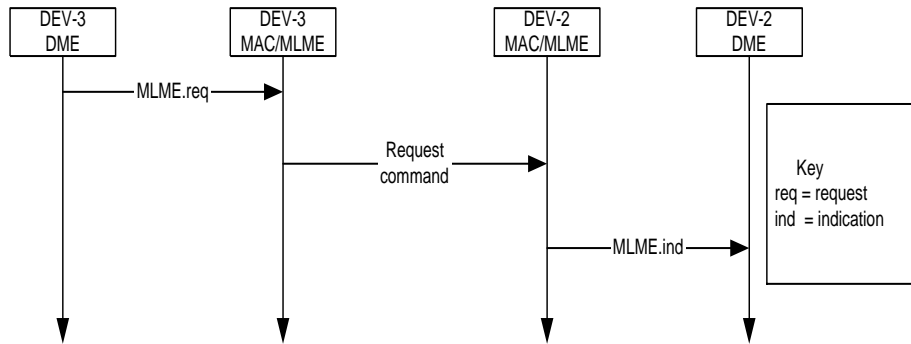


Figure 2— Change to MSC if a confirmation is needed

The second situation identified was one where acknowledgement that the command frame was received and processes was not needed. These situations were given the name “fire and forget” scenarios. For these scenarios, the solution is to modify the MSC such that there is no request timeout timer or acknowledgement frame.

The MSC in Figure 3 is a representation of how the MSC in Figure 1 would change in this case.



**Figure 3—Change to MSC if a confirmation is not needed**

Note that in Figure 3, no MLME.cnf primitive is required.

## 2. Clause 8 MSC changes

### 2.1 Section purpose

This sections shows through comparison how the some of the MSCs in Clause 8 of IEEE 802.15.3 would need to be modified in order to support the change suggested by this document.

The Figure numbers in this section represent Figure numbers from IEEE 802.15.3.

On each of the following pages in this section a version of an MSC as currently defined in IEEE 802.15.3 is shown of the left side of the page. The right side of each page shows the new suggested MSC, along with a list of the changes made to the original MSC to support the changes suggested by this document.

### 2.2 Strategies/Guidelines used

The following are the strategies and guidelines that were followed in the creation of the new MSCs presented in this section. This was done in an effort to have consistencies between all the frame exchanges sequences represented by the MSCs.

- Keeping in mind that beacon generation and transmission is an autonomous process that occurs independently from command frame exchanges, Request commands are acknowledged with Response commands when possible, increasing response time and timely completion of the overall message exchange sequence.
- A DEV initiating a Request command that requires a confirmation that the request was both received and processed is given a Response command as this confirmation. Other DEVs in the piconet are typically notified of system changes that result from the original request via the transmission of a Beacon frame by the PNC at some point in the future.

- The “Build beacon” task shown on the PNC MAC/MLME instance represents that the time to create and transmit a beacon has arrived in the PNC. This should be considered to occur “sometime in the future” with respect to previous information shown on the MSC.
- Scenarios identified as “fire and forget” can not be confirmed, so no MLME.cfm primitive should be generated as part of the message exchange sequence.

### 2.3 The MSCs

Figure 94 - Current

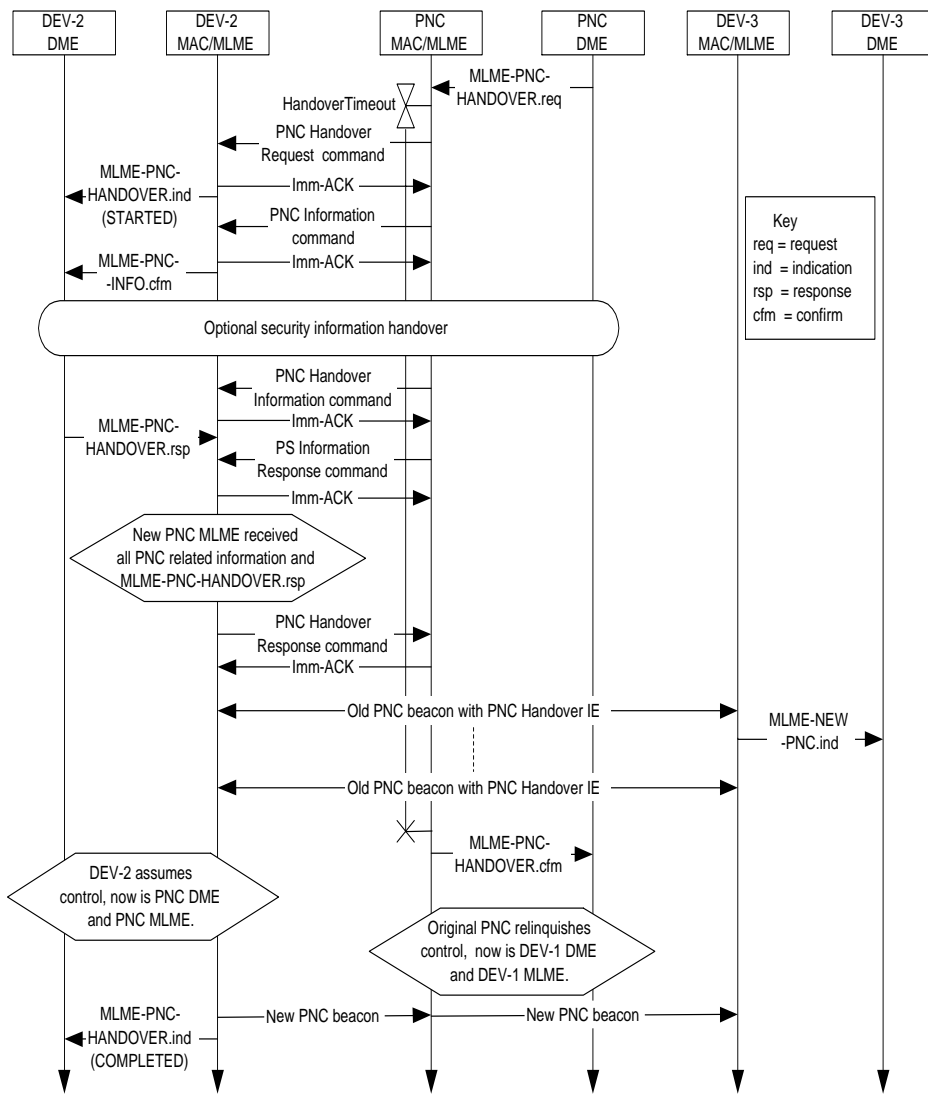
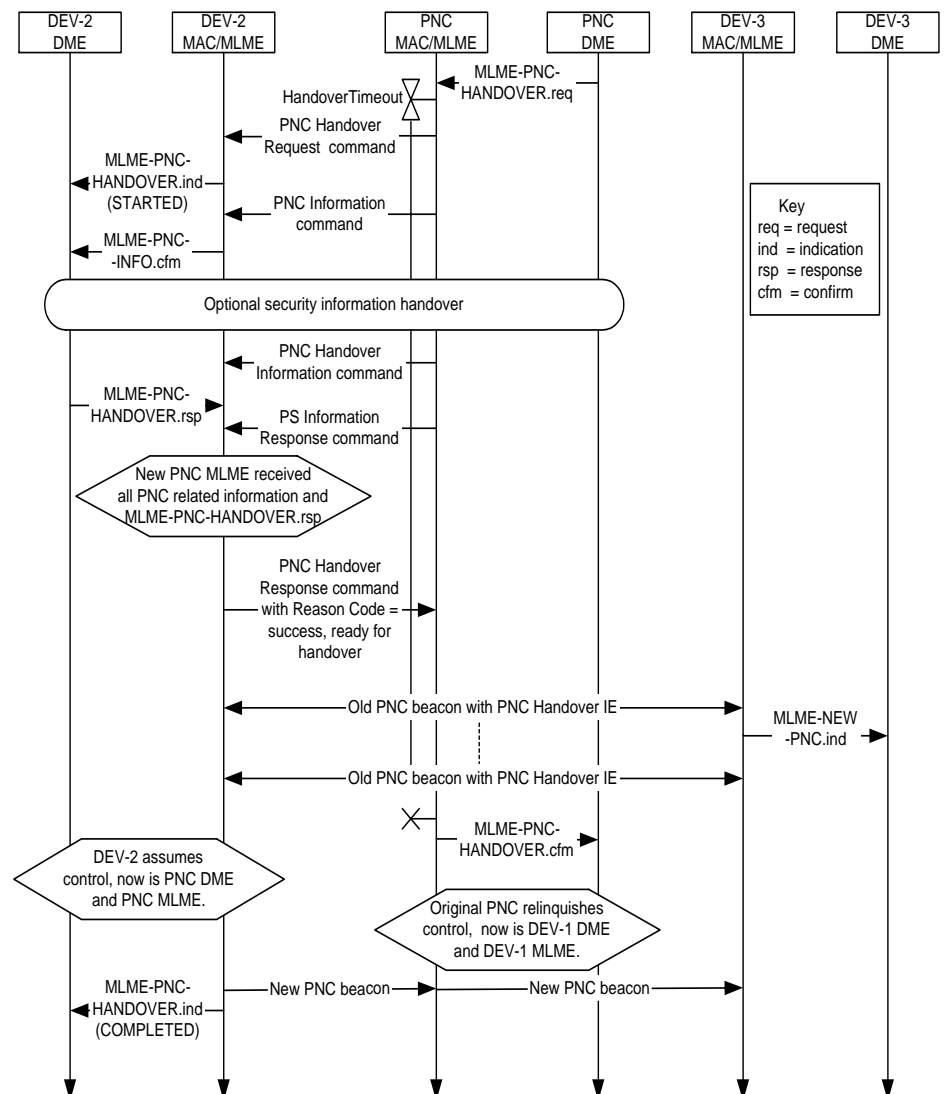


Figure 94 - New



- Imm-ACKs removed.
- Reason Code of “success, ready for handover” added to the PNC Handover Response command.

Figure 95 - Current

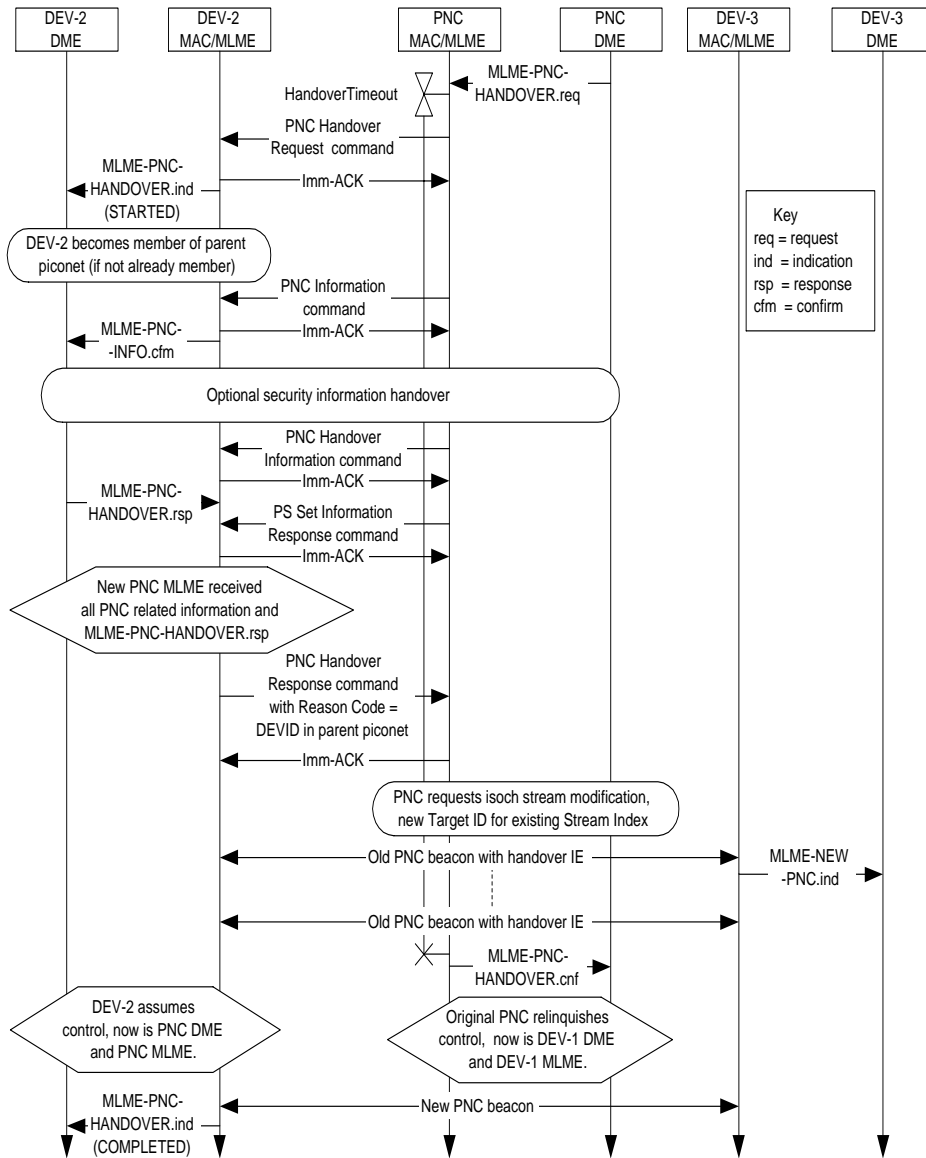
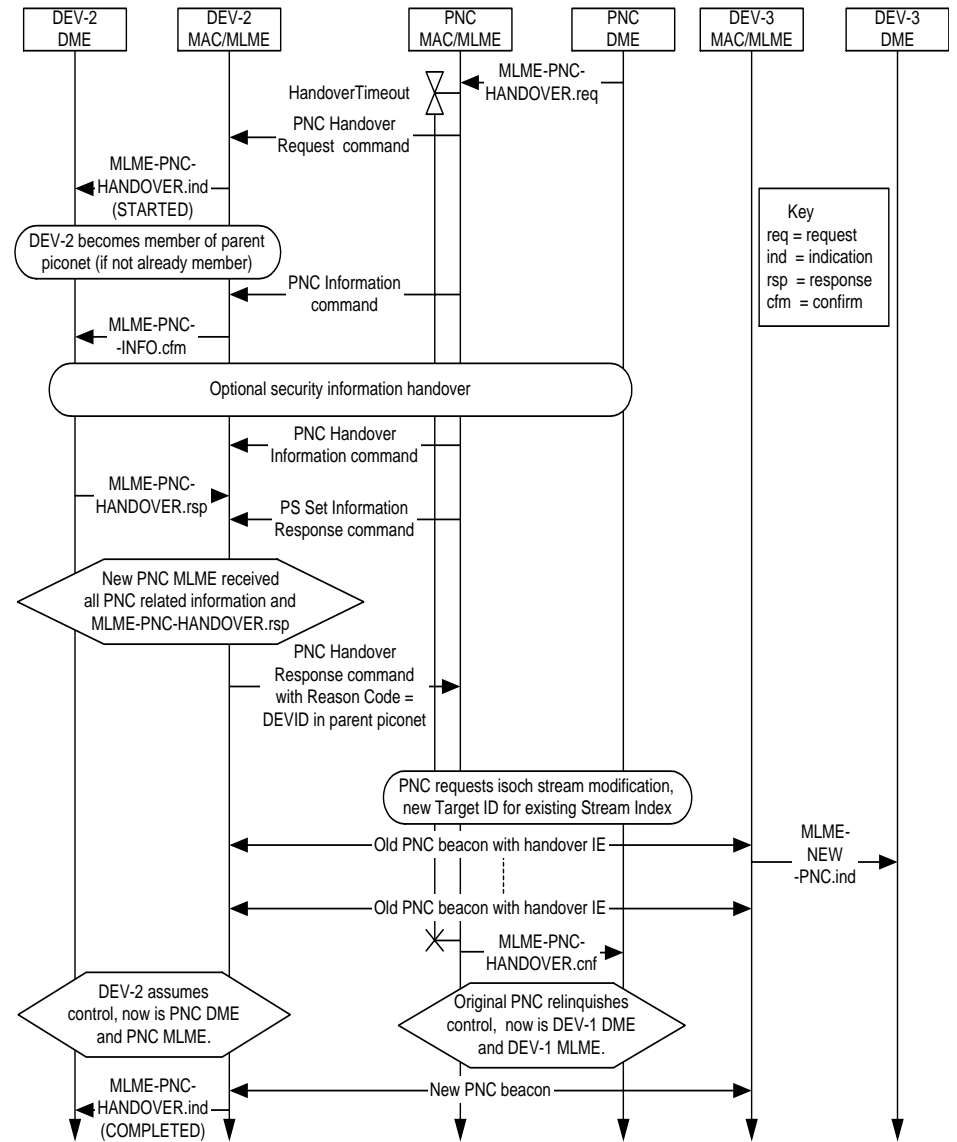
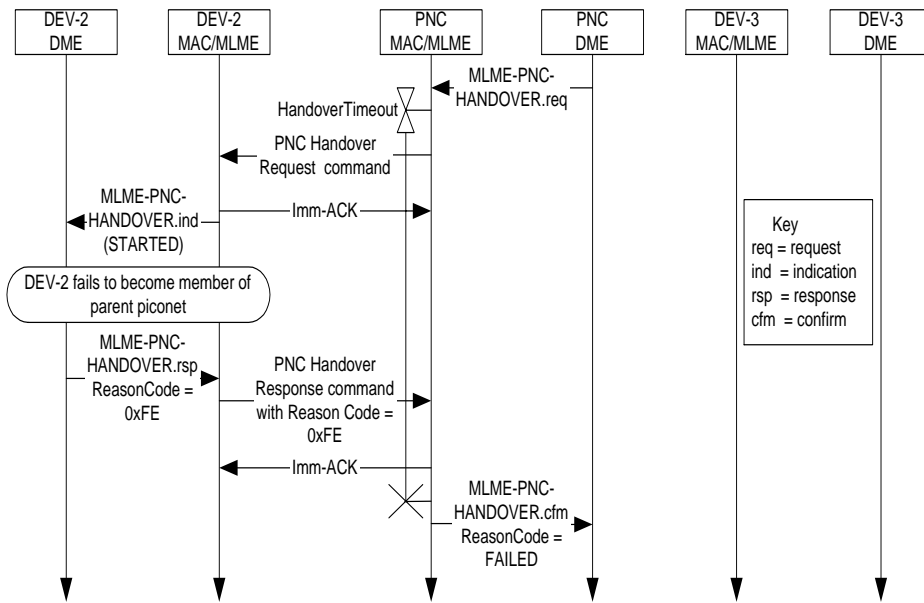


Figure 95 - New

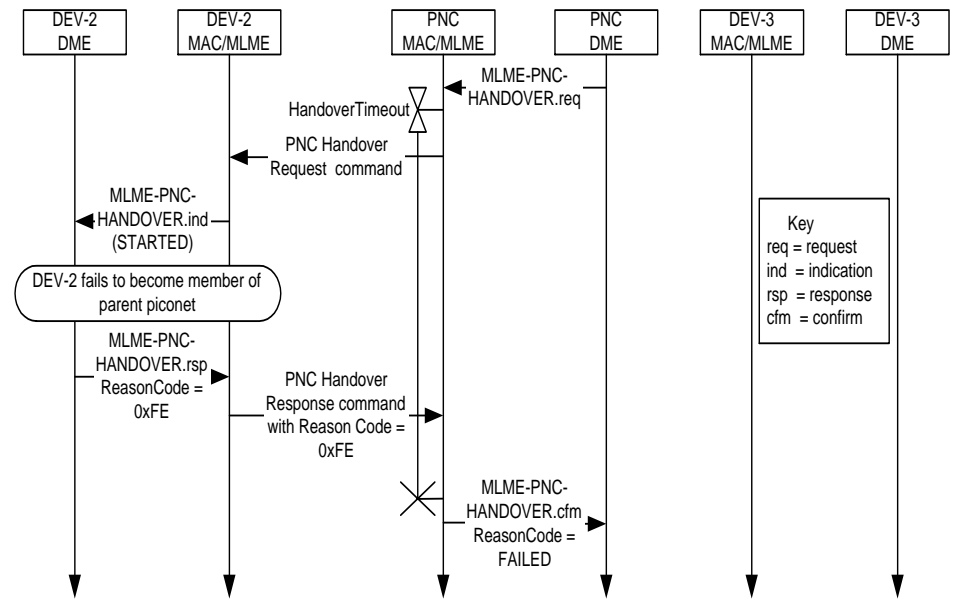


- Imm-ACKs removed.

**Figure 96 - Current**

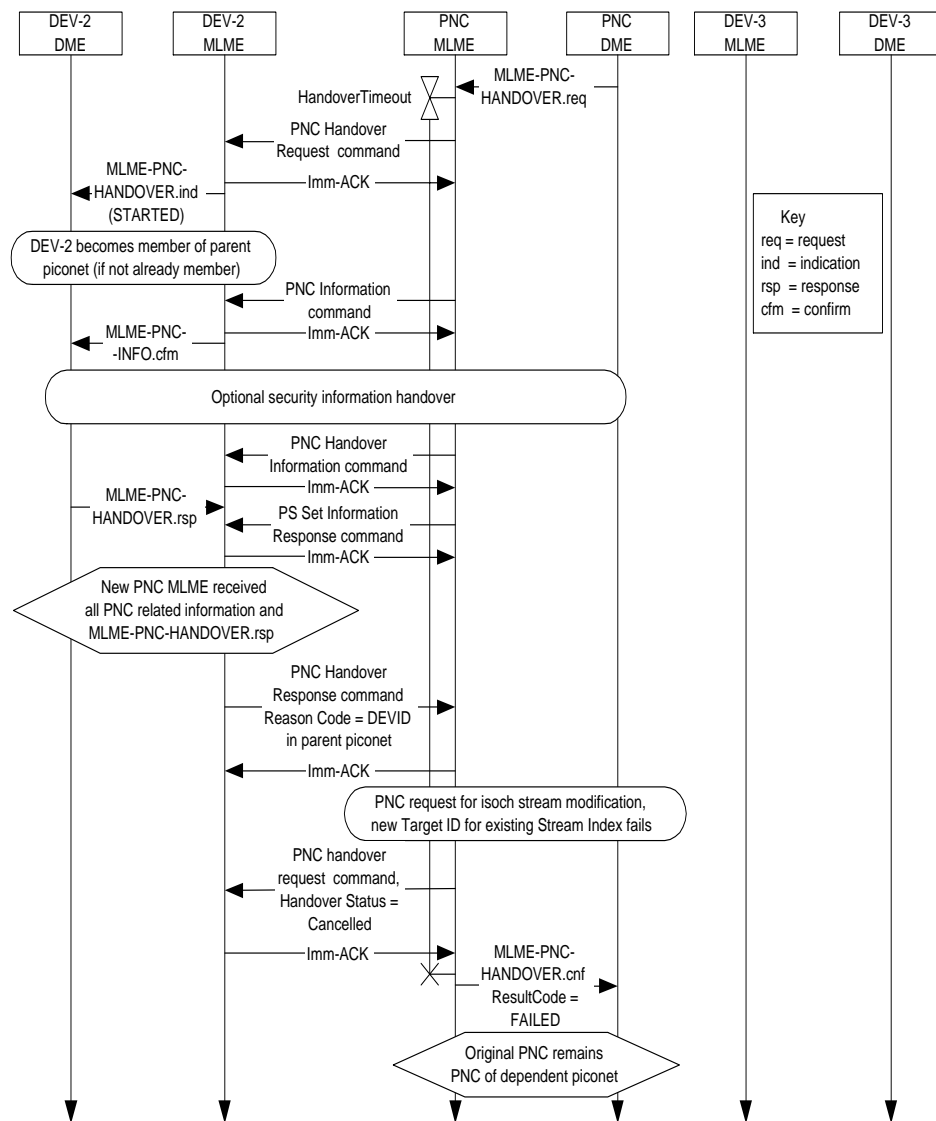


**Figure 96 - New**

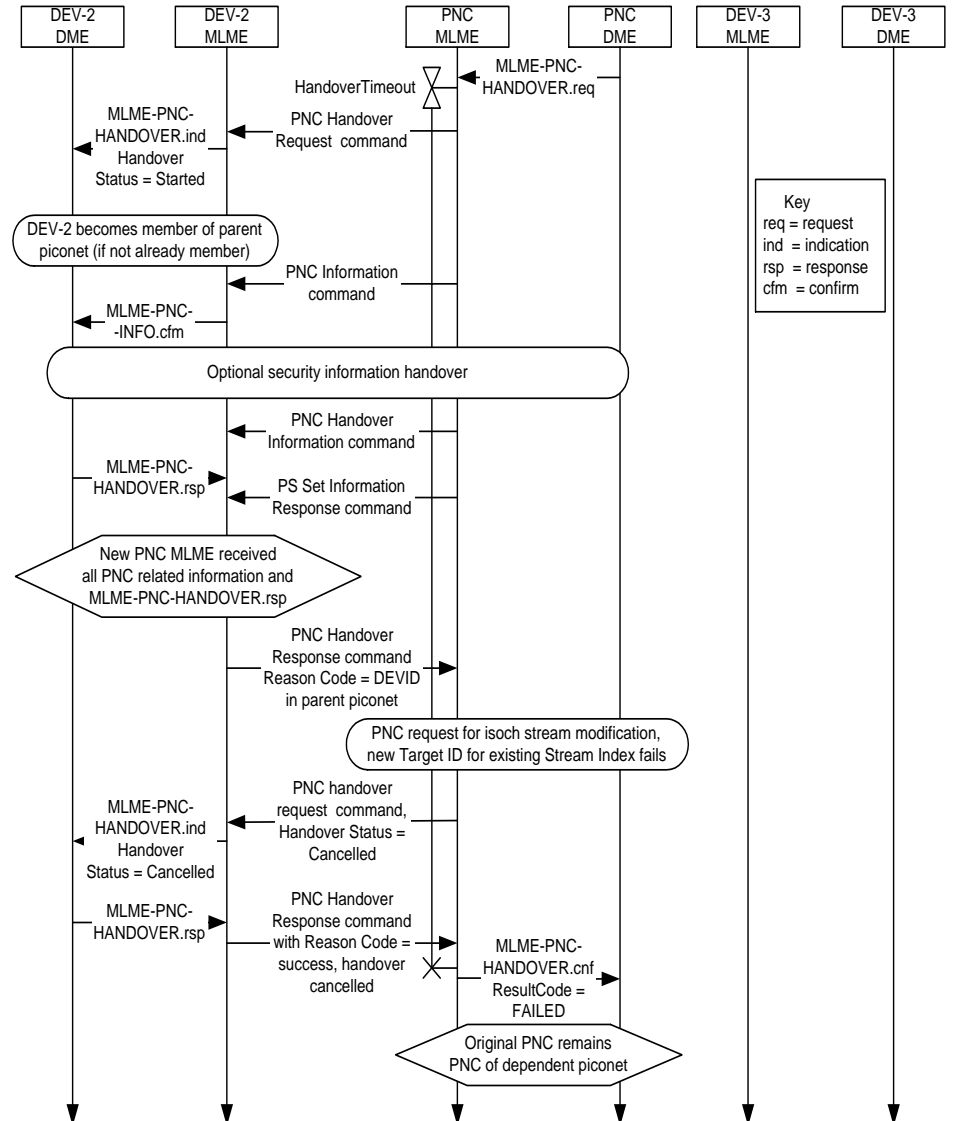


- Imm-ACKs removed.

**Figure 97 - Current**



**Figure 97 - New**



- Imm-ACKs removed.
- Cancellation of handover acknowledged with a PNC Handover Response command with a Reason Code of “success, handover cancelled”



Figure 102 - Current

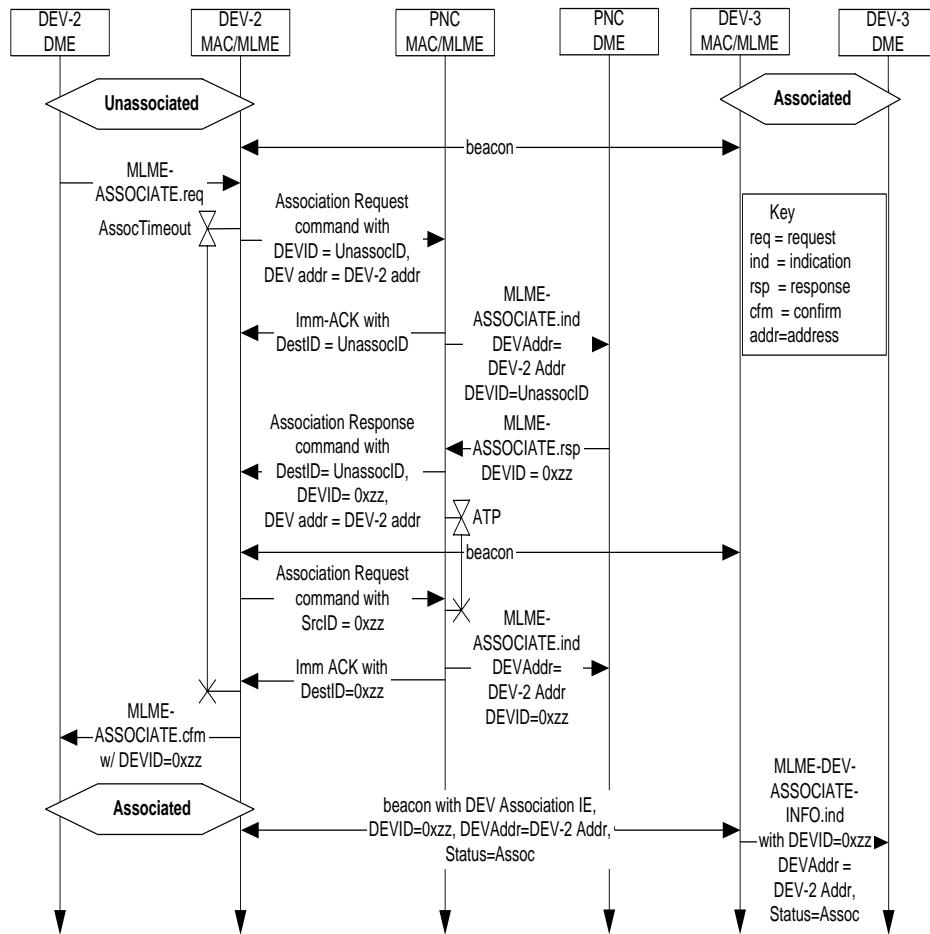
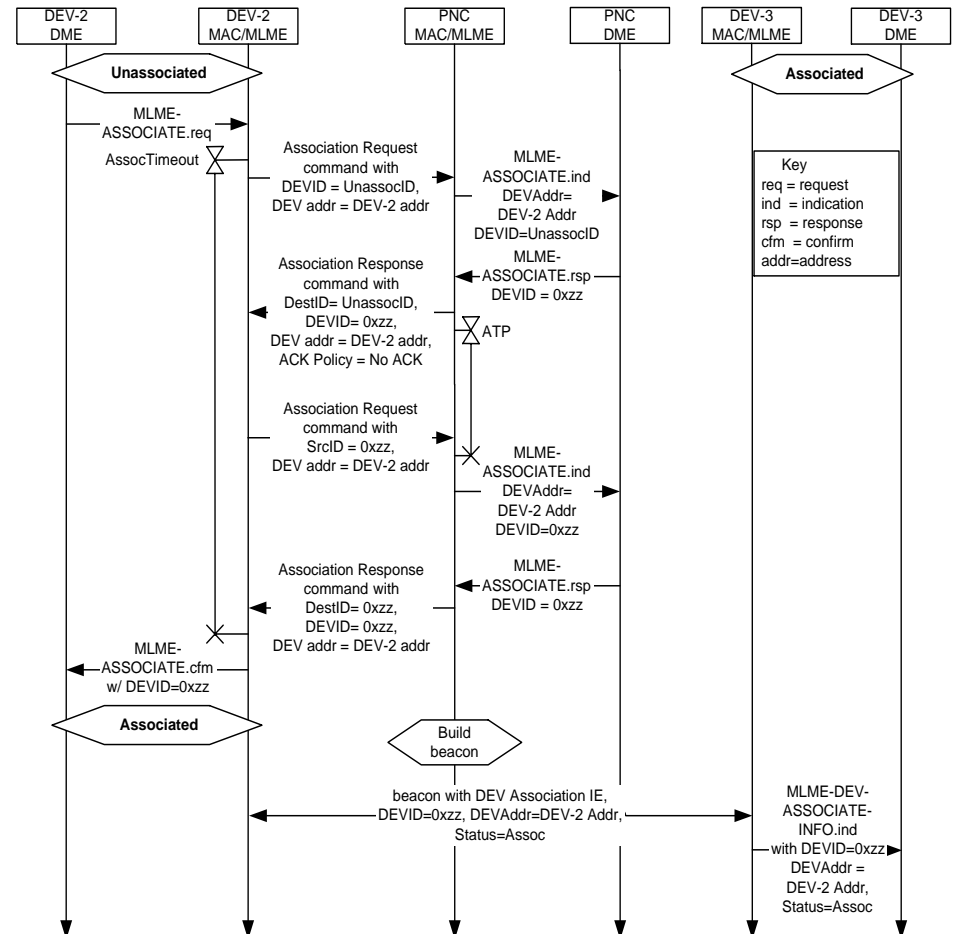
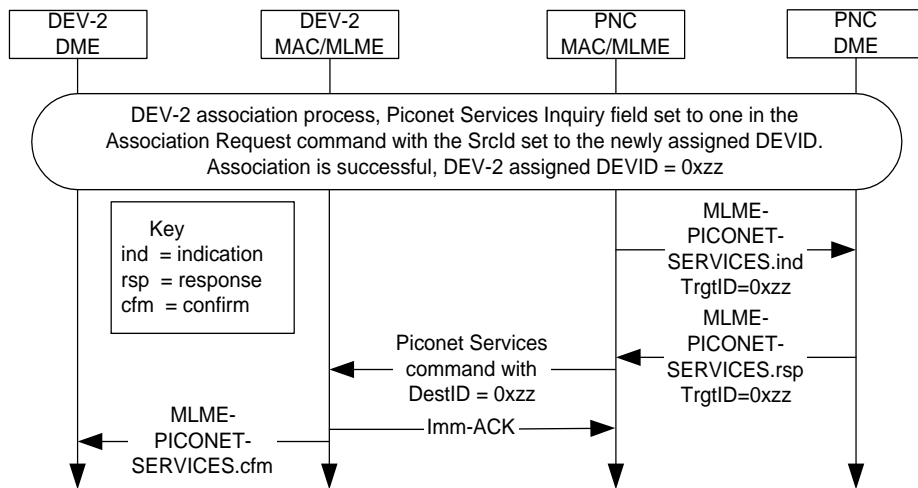


Figure 102 - New

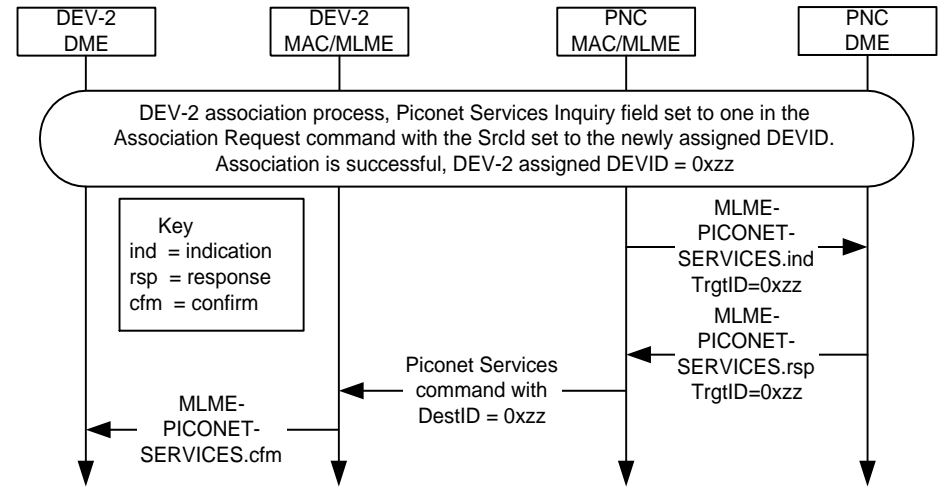


- Imm-ACKs removed.
- ACK Policy for first Association Response command identified as “No ACK”
- Note: As long as standard states that the DestID of the Imm-ACK should equal the SrcID of the previously received frame, then Imm-ACKs do not need to be shown with the varying DestIDs on this MSC.

**Figure 103 - Current**

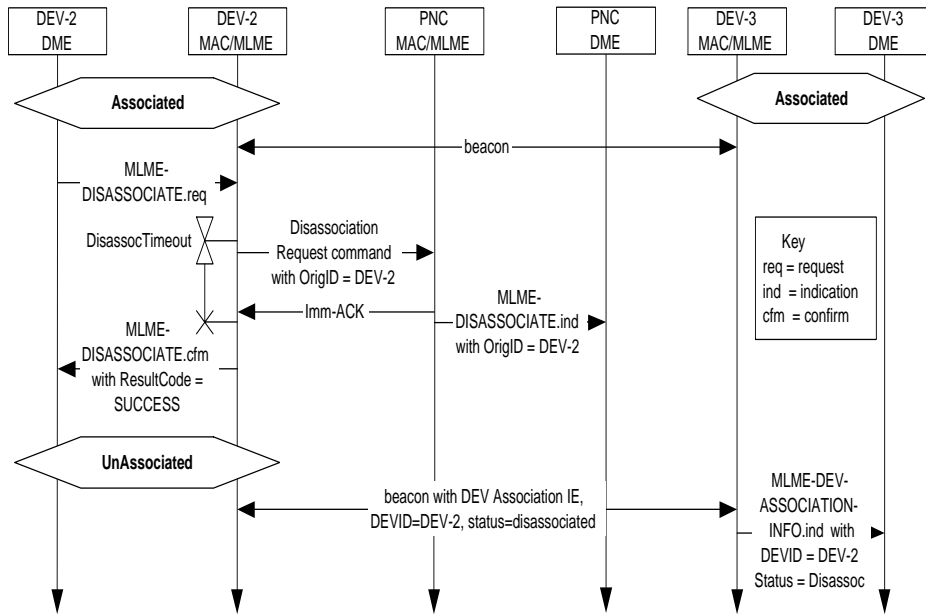


**Figure 103 - New**

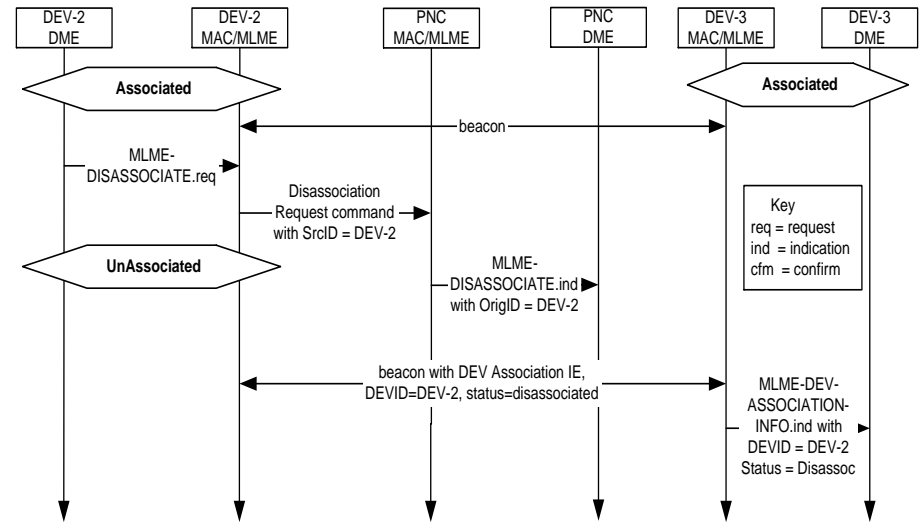


- Imm-ACK removed.
- No timer was started on original, so assumed this should be a “fire and forget” scenario.

**Figure 104 - Current**

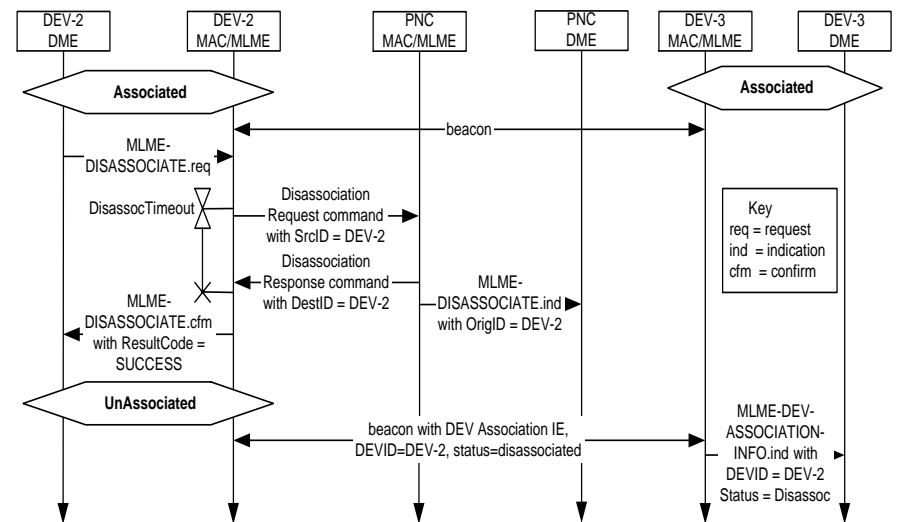


**Figure 104 - New (Recommended)**



- Timer and confirm removed (fire and forget scenario)

**Figure 104 - New (Another Option)**



- Imm-ACK replaced with new Disassociation Response command.

Figure 105 - Current

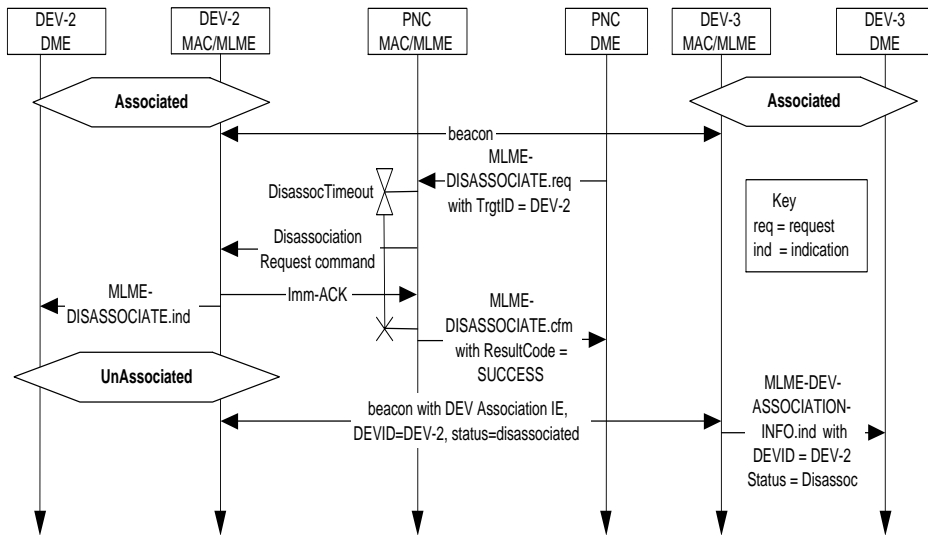
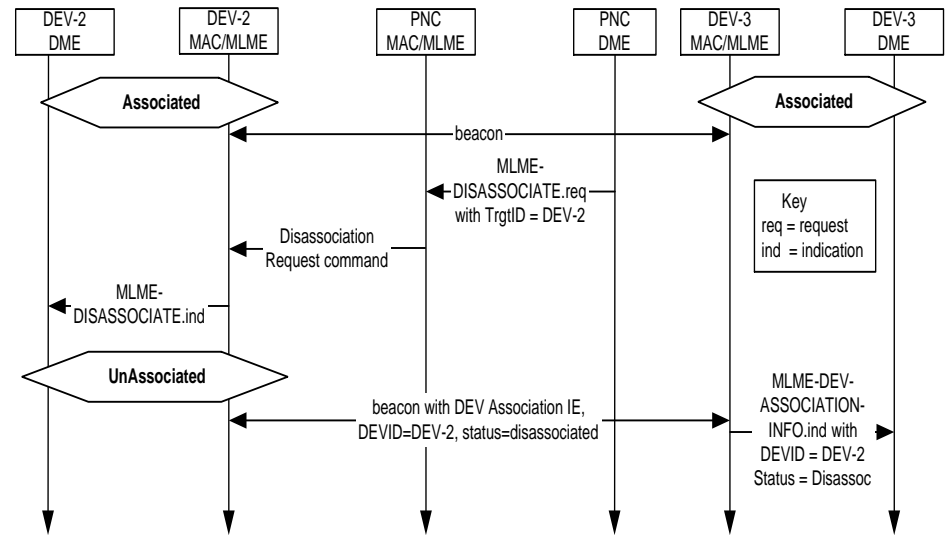
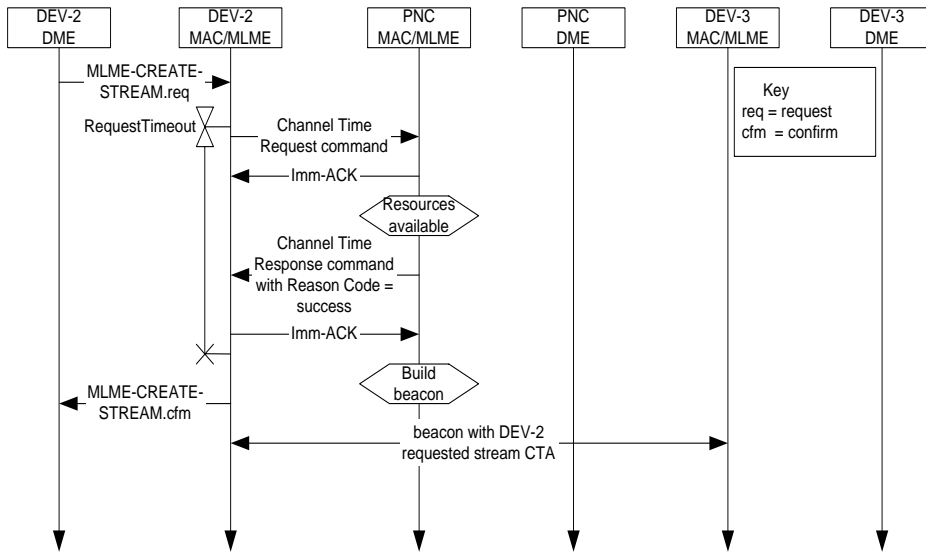


Figure 105 - New

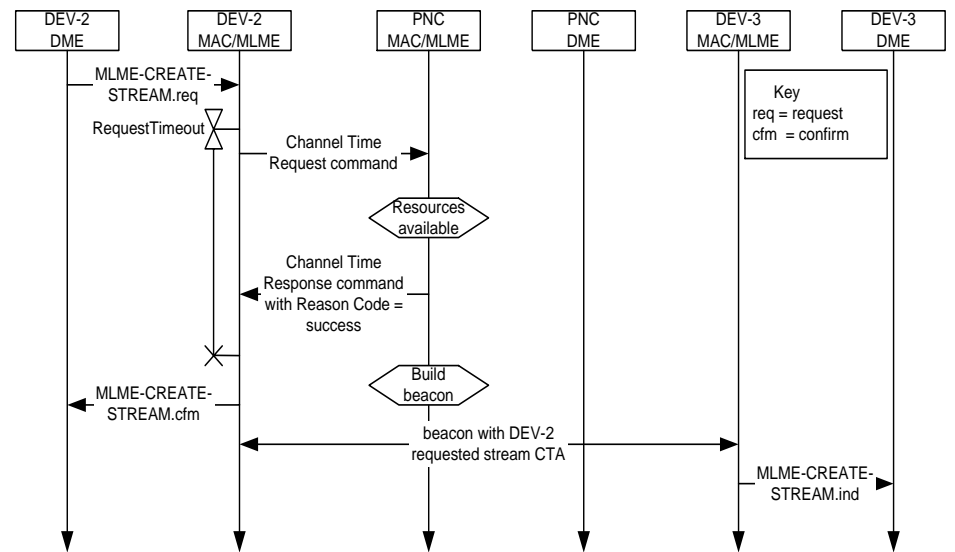


- Imm-ACK removed.
- DisassocTimeout timer removed.
- Note: If the PNC disassociates a DEV, the DEV is disassociated if the DEV responds to the Disassociation Request command or not. Therefore, this scenario is assumed to be a “fire and forget” scenario.

**Figure 114 - Current**

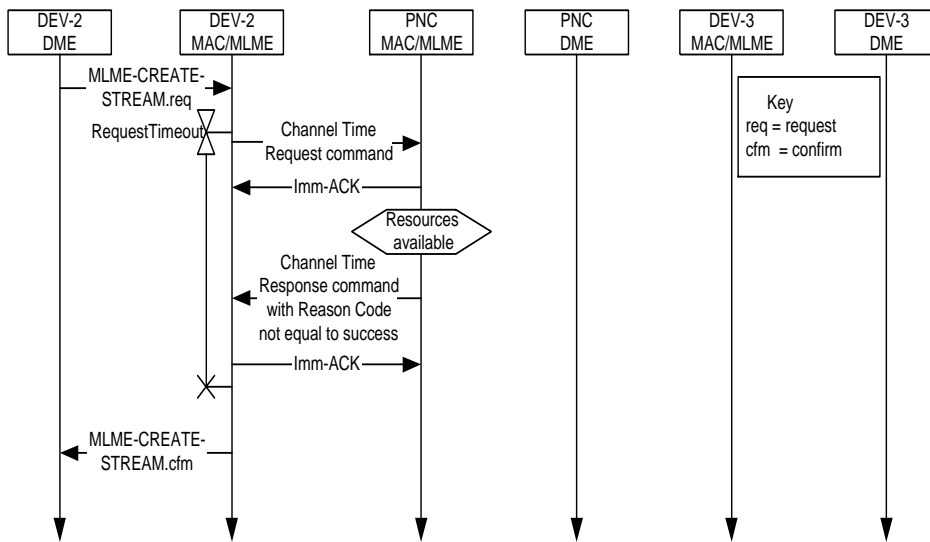


**Figure 114 - New**

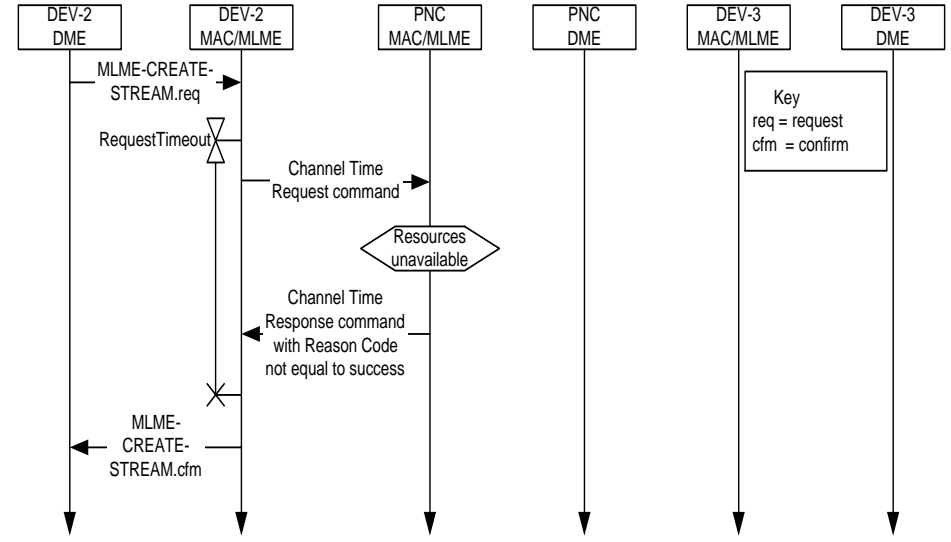


- Imm-ACKs removed.
- New MLME-CREATE-STREAM.indication added (Missing on original MSC)

**Figure 115 - Current**

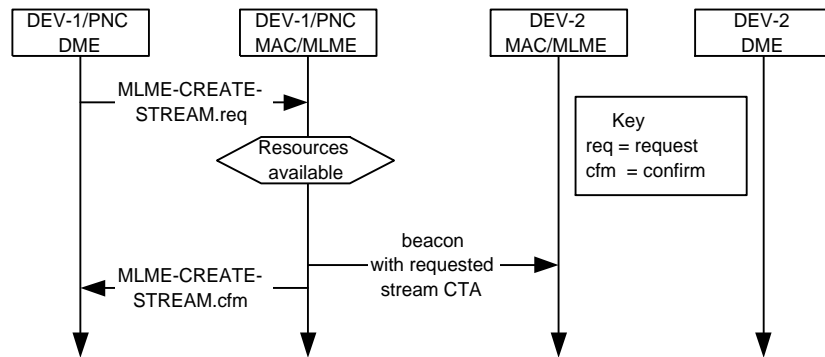


**Figure 115 - New**

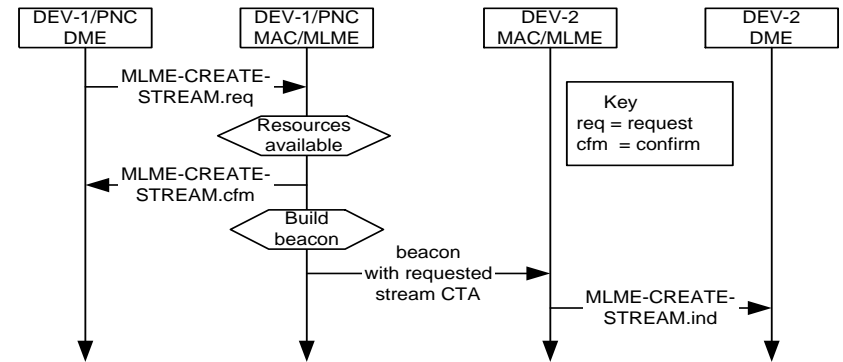


- Imm-ACKs removed.

**Figure 116 - Current**



**Figure 116 - New**



- MLME-CREATE-STREAM.cfm generated after PNC determines that it has resources available (Beacon generation occurs “sometime in the future”).
- “Build beacon” task added to be consistent with other MSCs that generate beacons.
- New MLME-CREATE-STREAM.indication added.

Figure 117 - Current

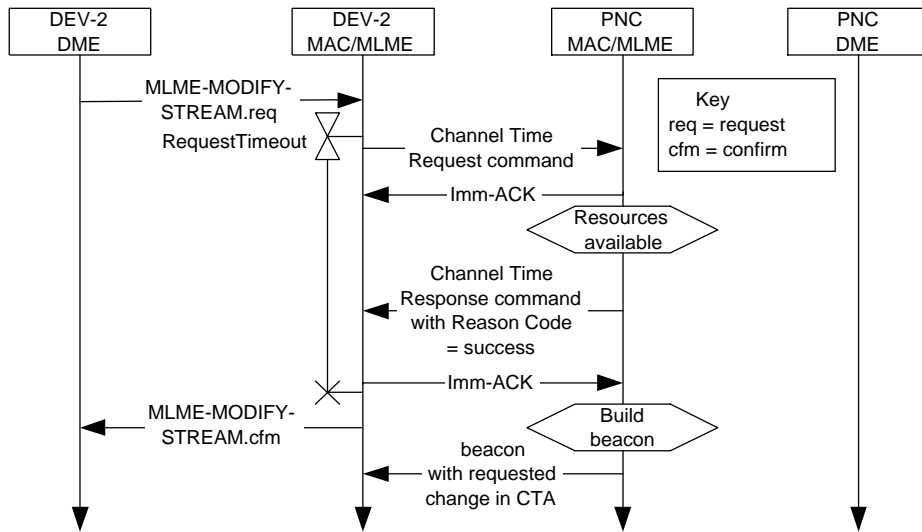
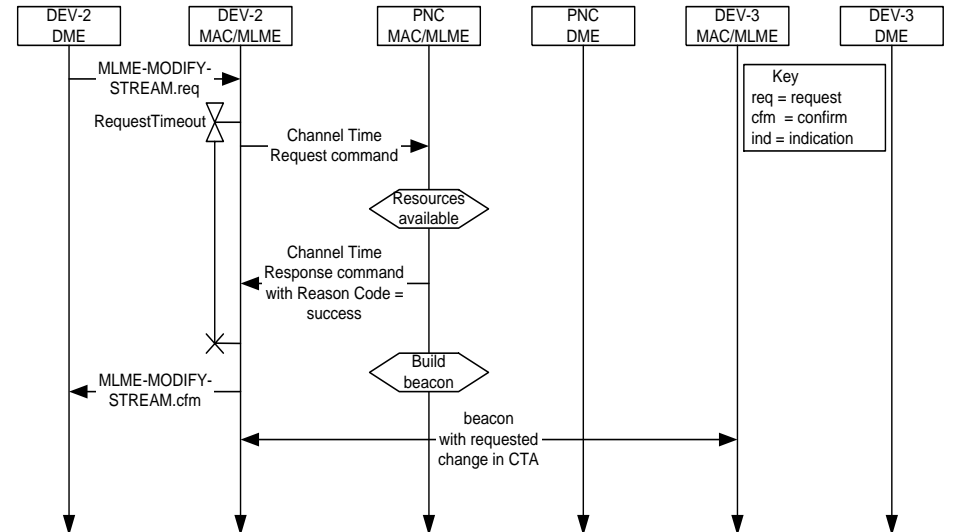


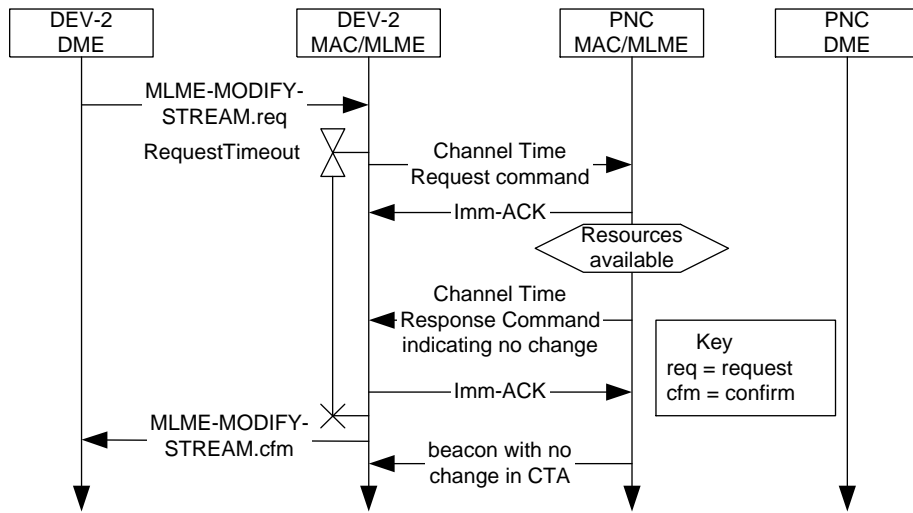
Figure 117 - New



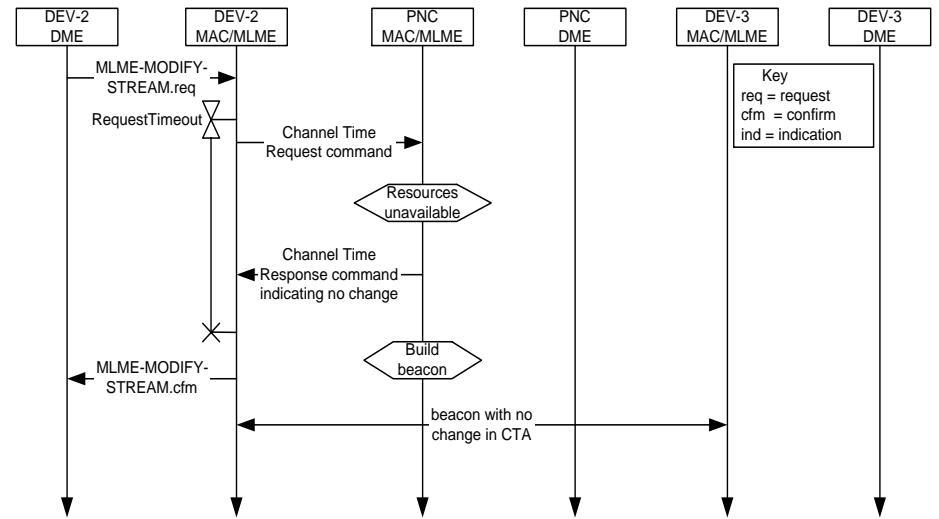
- Imm-ACKs removed.
- DEV-3 added to show it receiving the modified stream information in the beacon.



**Figure 118 - Current**



**Figure 118 - New**



- Imm-ACKs removed.
- DEV-3 added to show it receiving a beacon with no CTA change.
- “Build beacon” added to be consistent with other MSCs that generate beacons.

Figure 119 - Current

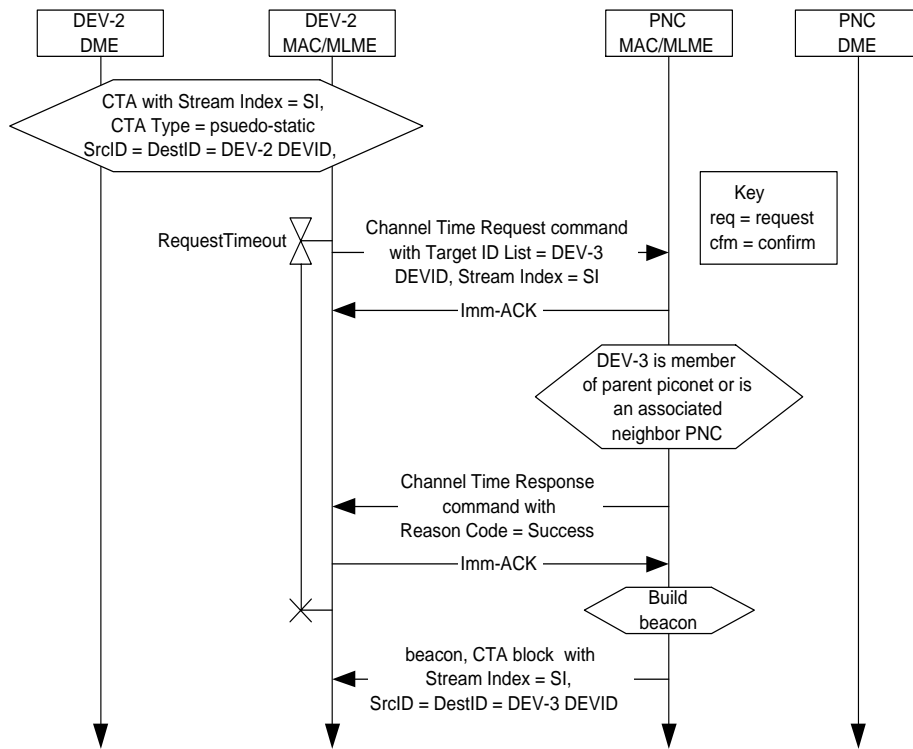
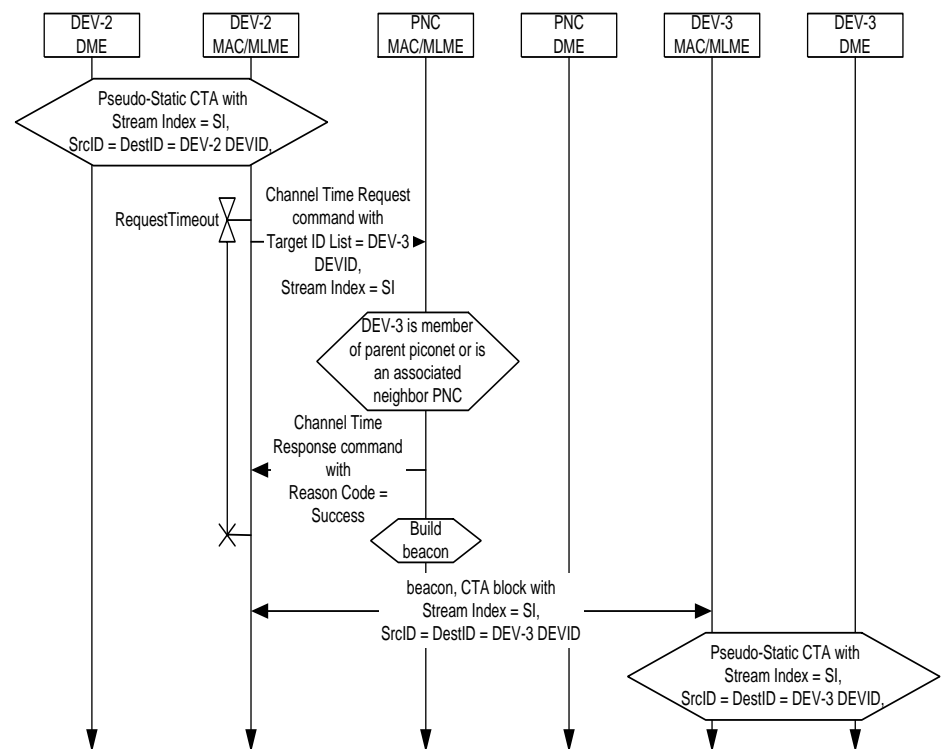


Figure 119 - New



- Imm-ACKs removed.
- DEV-3 added to show it receiving the modified stream information in the beacon.
- State information added to DEV-3 to show it now has the private CTA that DEV-2 originally had.

Figure 120 - Current

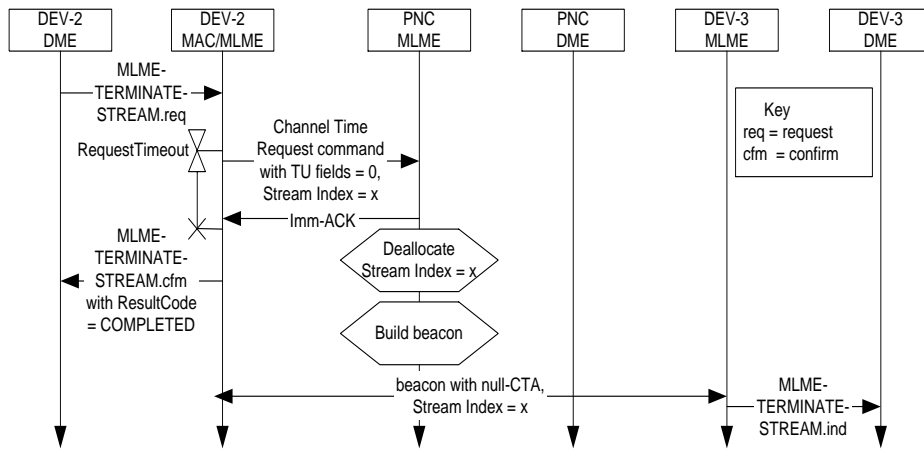
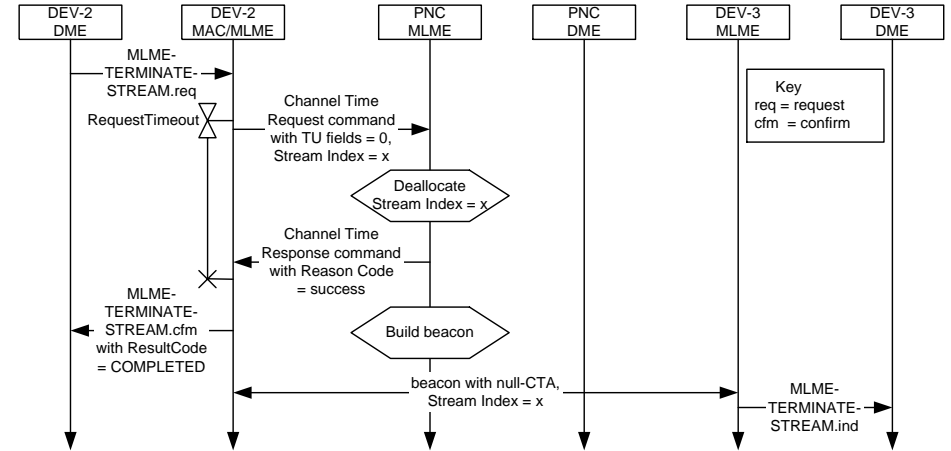
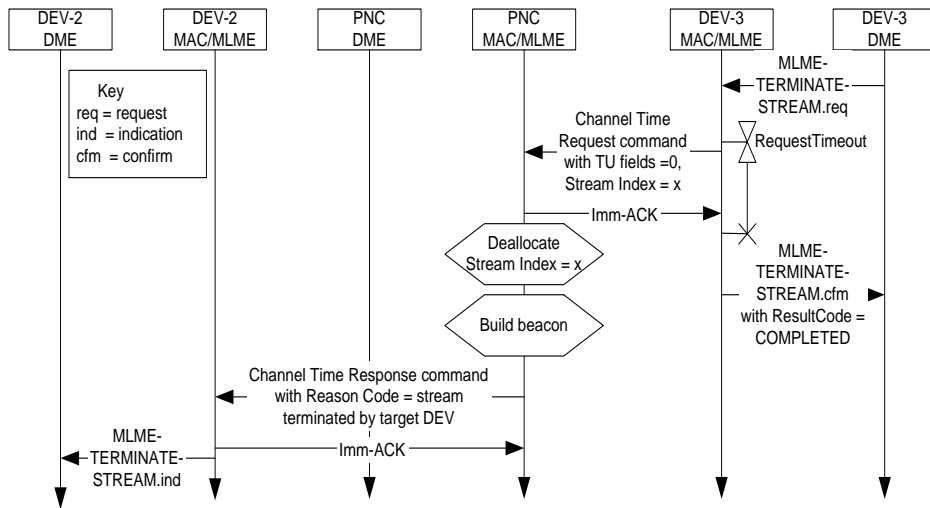


Figure 120 - New

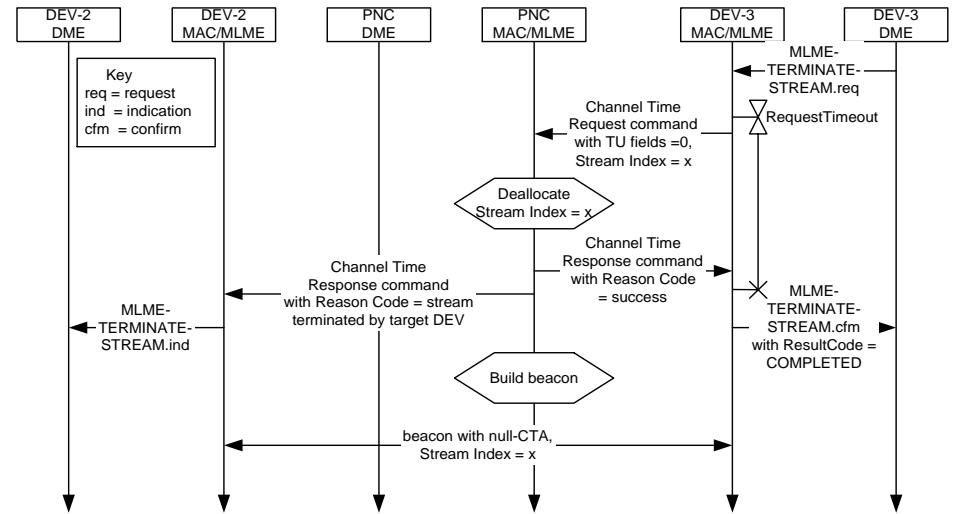


- Imm-ACK removed.
- Channel Time Response command added and generated after the resources are deallocated.

**Figure 121 - Current**



**Figure 121 - New**



- Imm-ACKs removed.
- Channel Time Response command added from PNC to DEV-3 and generated after the resources are deallocated.

Figure 122 - Current

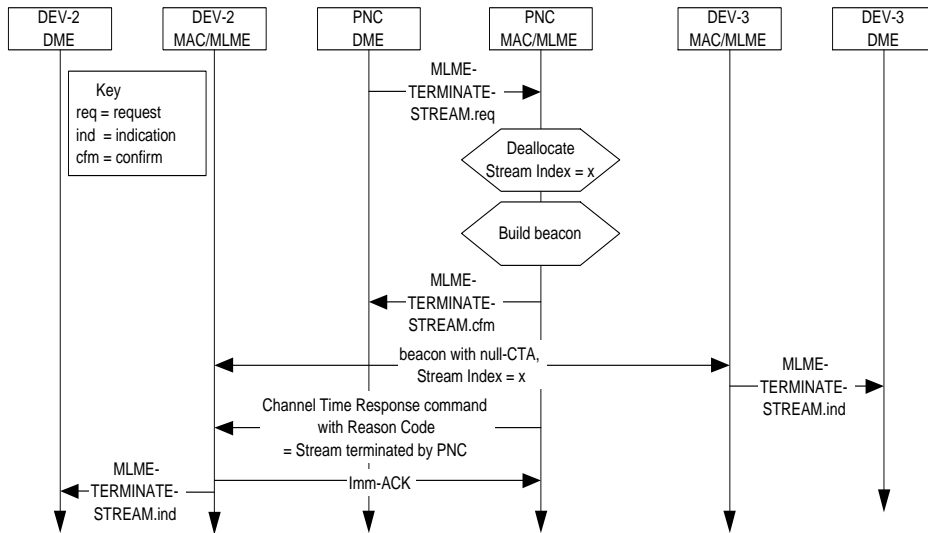
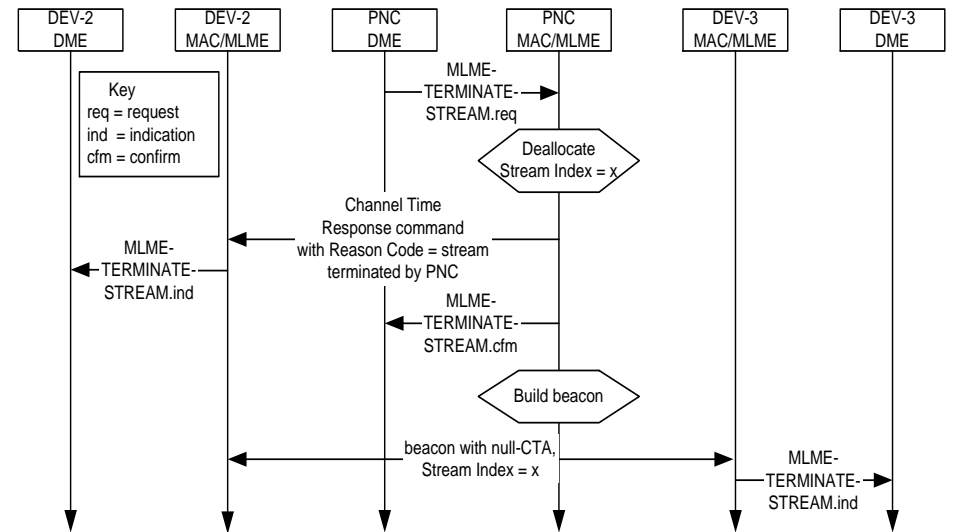


Figure 122 - New



- Imm-ACK removed.
- Channel Time Response command from PNC to DEV-2 moved to occur after the resources are deallocated (Beacon generation occurs “sometime in the future”).

Figure 123 - Current

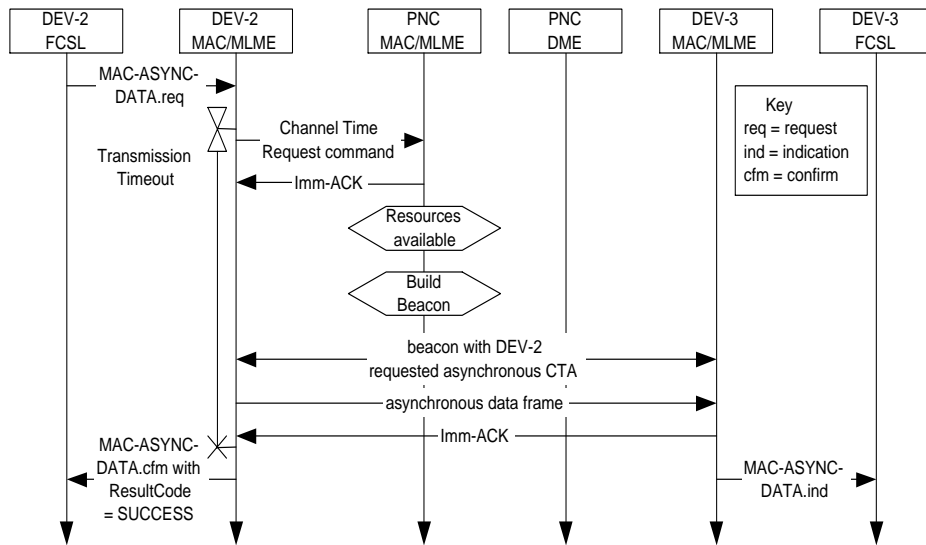
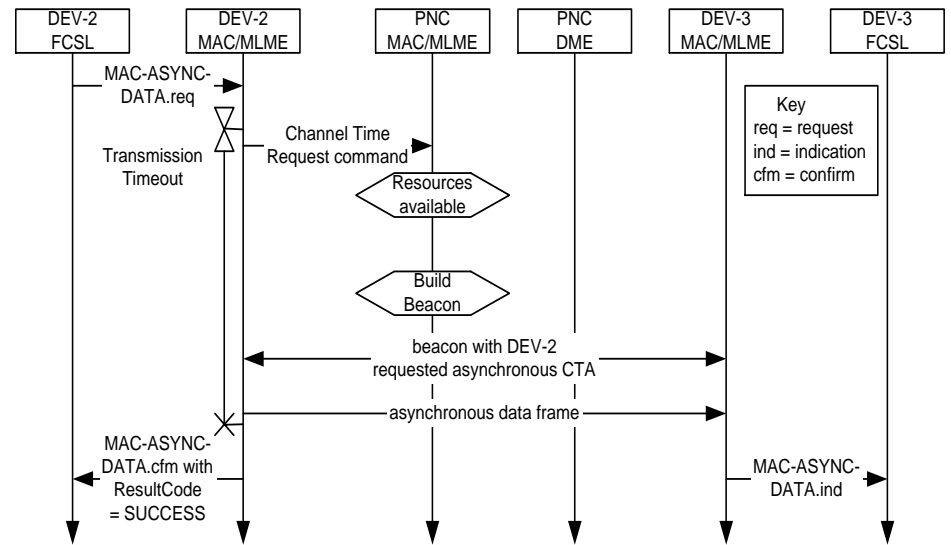


Figure 123 - New



- Imm-ACKs removed.
- MAC-ASYNC-DATA.confirm generated after data is transmitted.

Figure 127 - Current

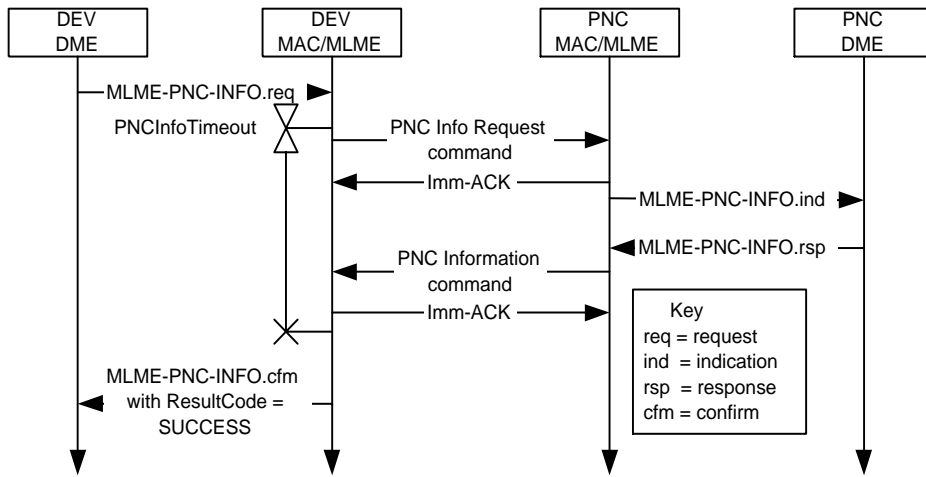
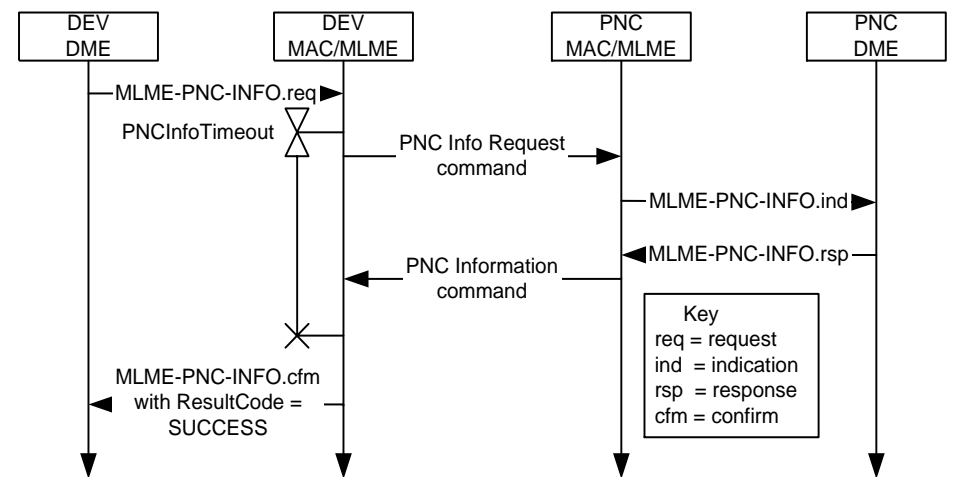
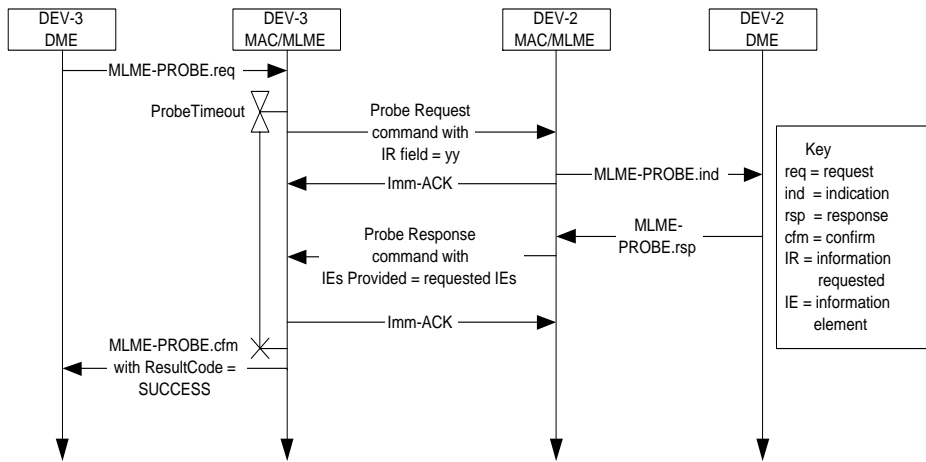


Figure 127 - New

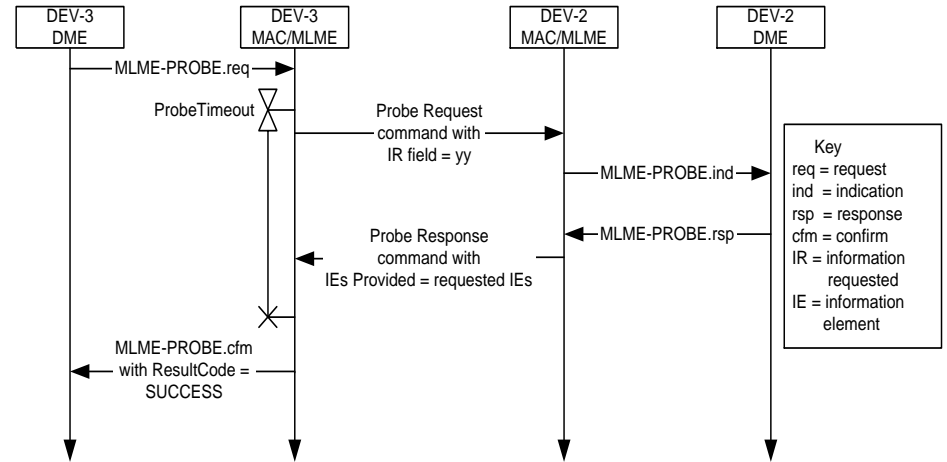


- Imm-ACKs removed.

**Figure 128 - Current**



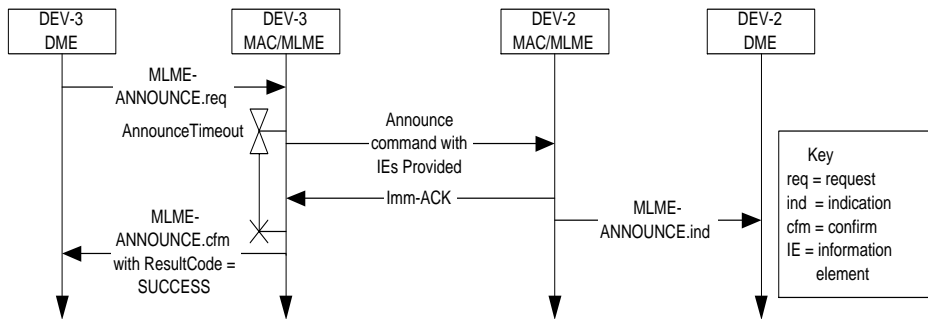
**Figure 128 - New**



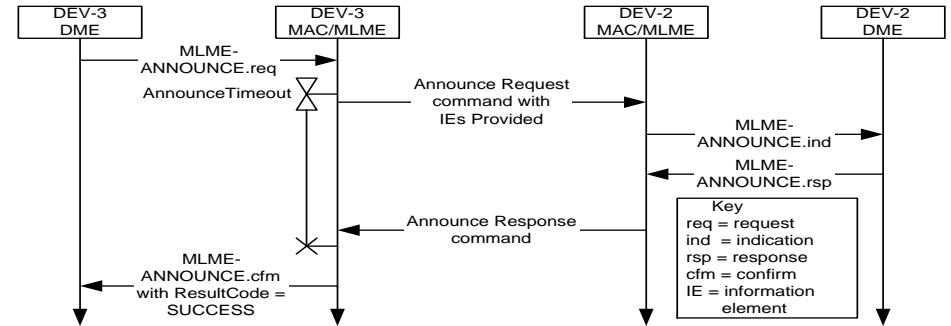
- Imm-ACKs removed.



**Figure 129 - Current**

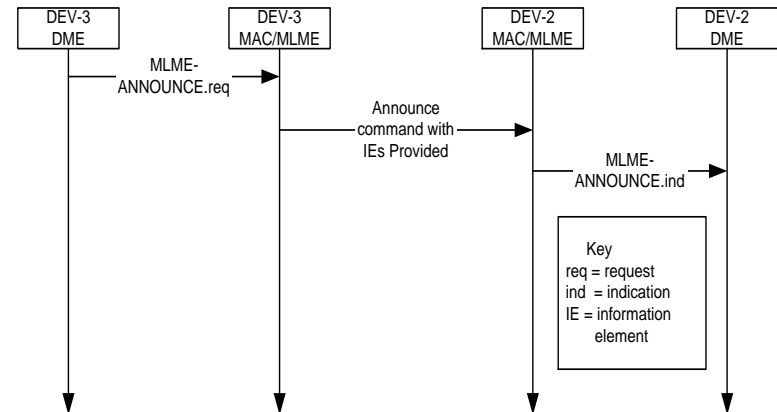


**Figure 129 - New (Recommended)**



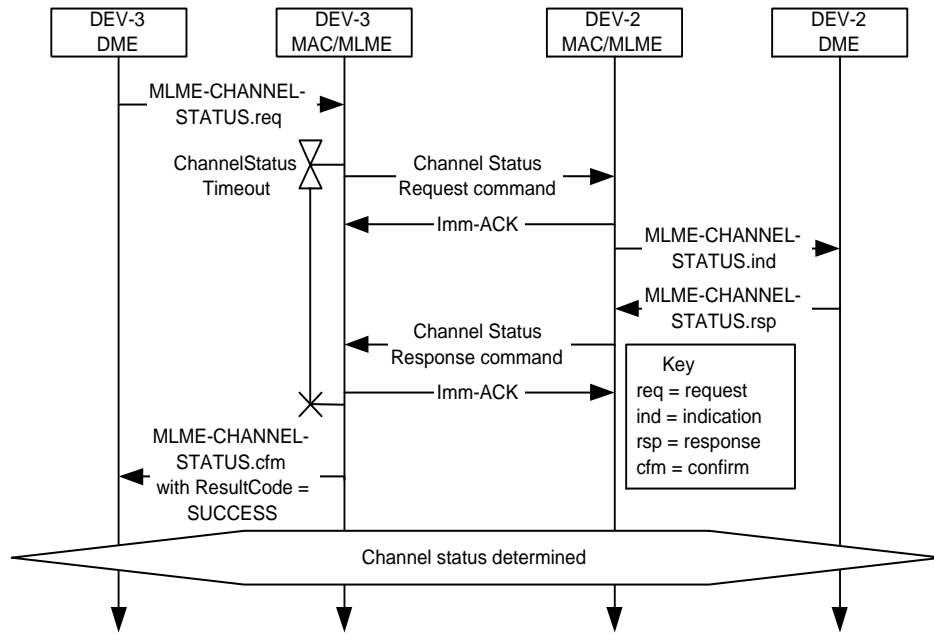
- Imm-ACK removed.
- Announce command renamed Announce Request command.
- New MLME-ANNOUNCE.response primitive added.
- New Announce Response command added.

**Figure 104 - New (Option)**

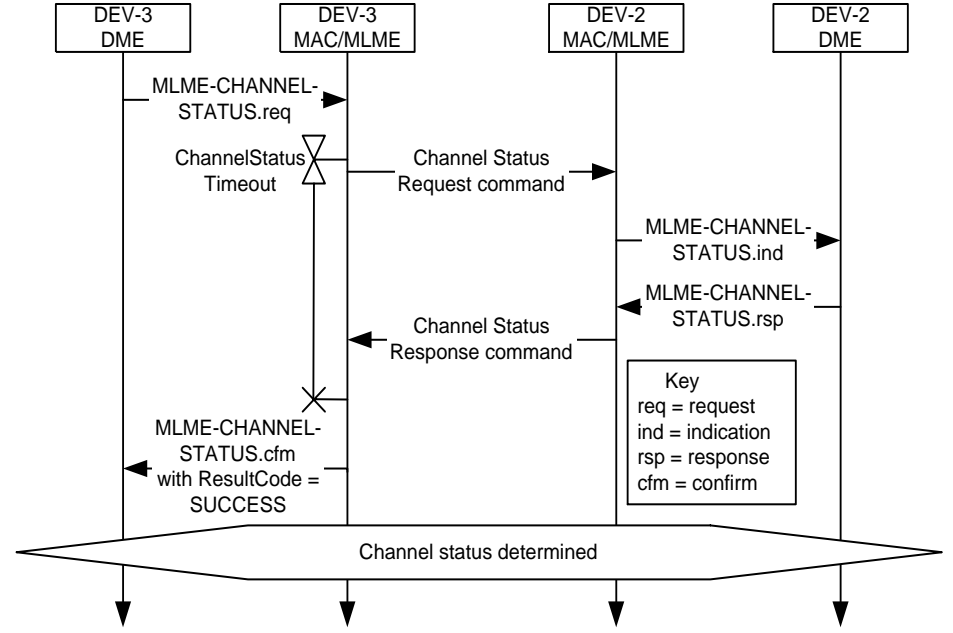


- Announce commands considered “fire and forget”.
- Note: One important piece of information passed via the Announce command is Overlapping PNID information.
- No timeout timer.
- No confirmation.

**Figure 130 - Current**

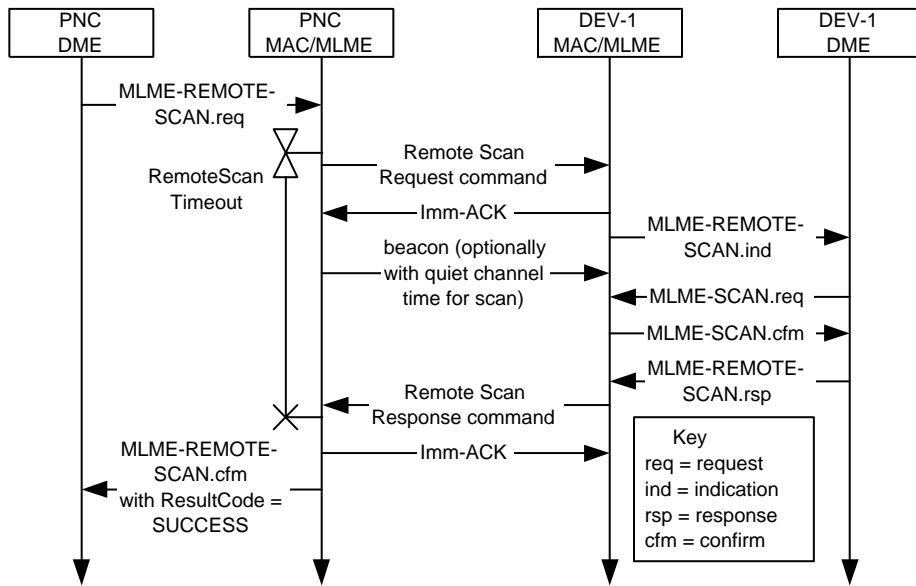


**Figure 130 - New**

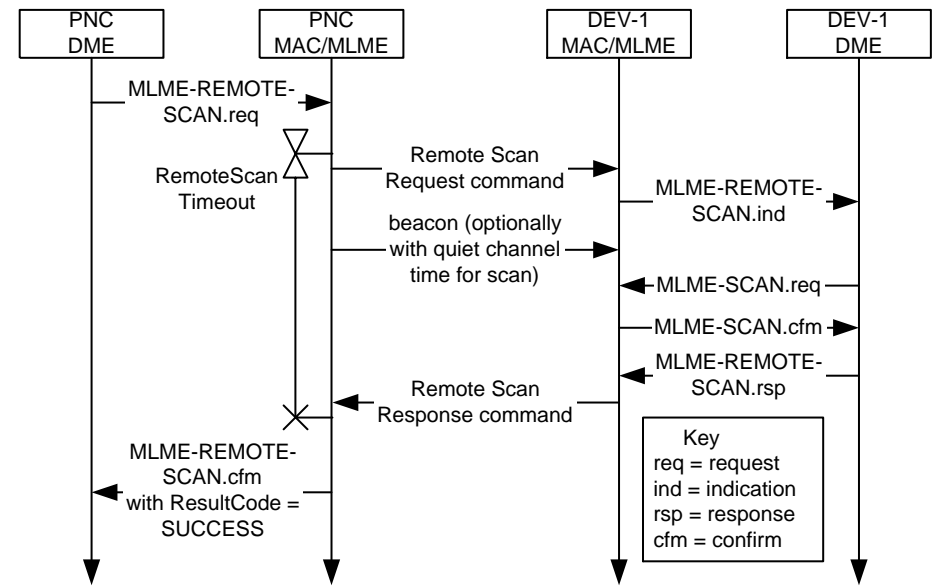


- Imm-ACKs removed.

**Figure 131 - Current**



**Figure 131 - New**



- Imm-ACKs removed.

Figure 136 - Current

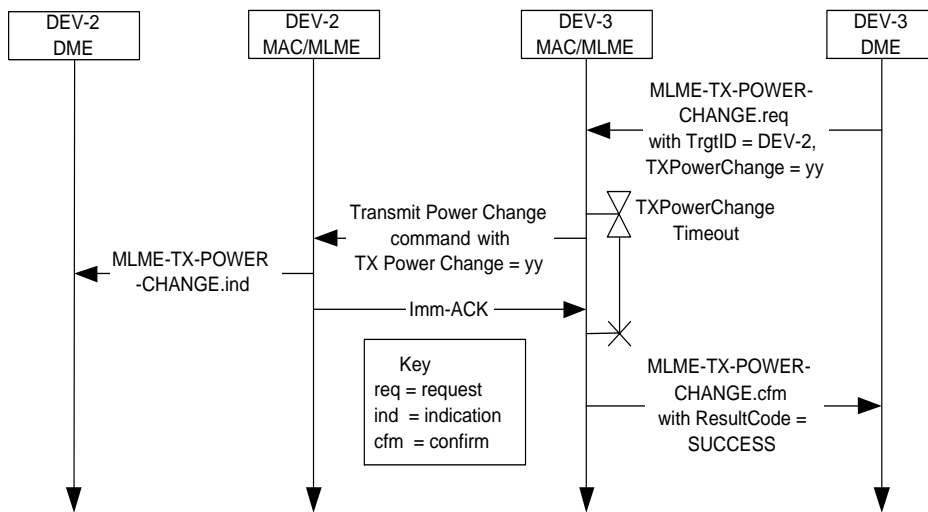
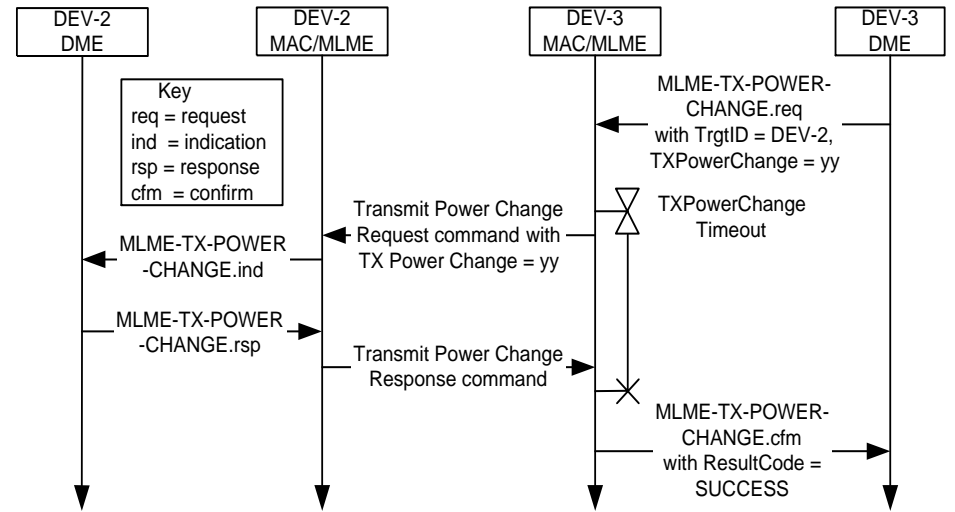
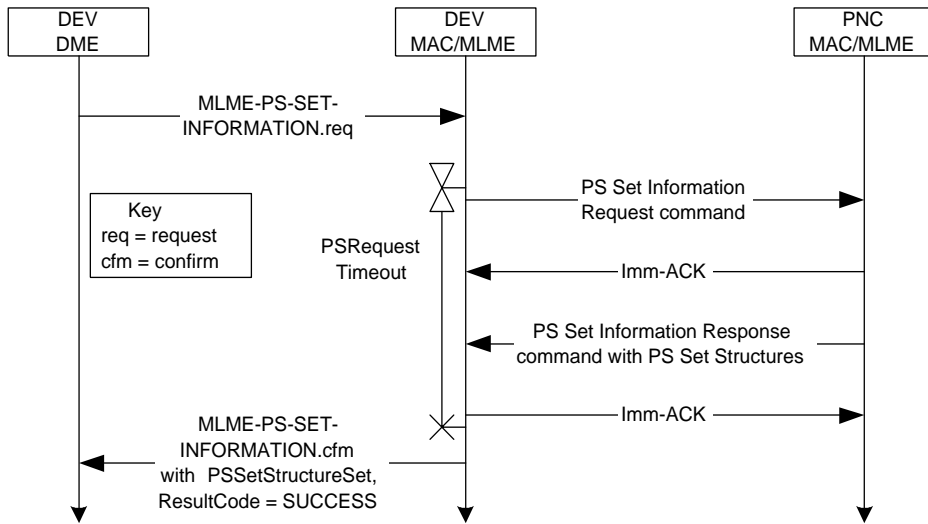


Figure 136 - New

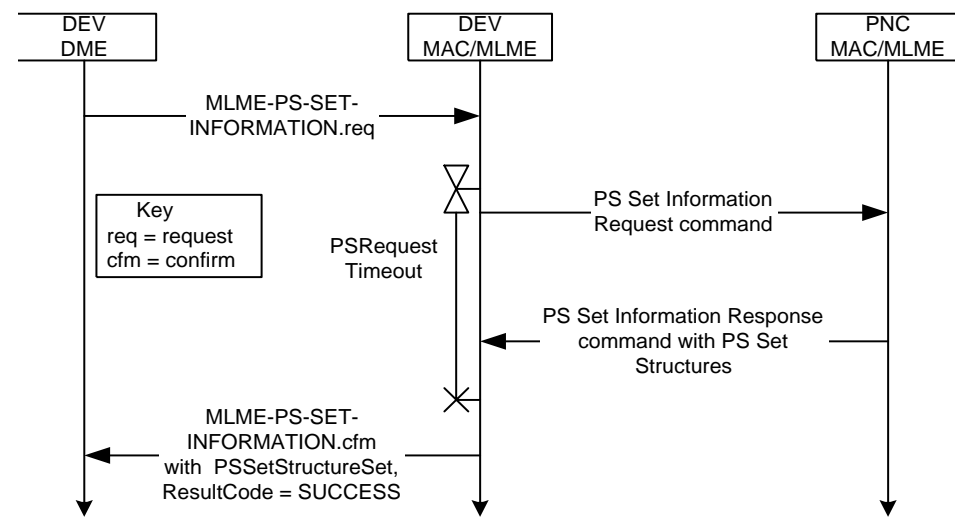


- Imm-ACK removed.
- Transmit Power Change command renamed Transmit Power Change Request command.
- New MLME-TX-POWER-CHANGE.response primitive added.
- New Transmit Power Change Response command added which includes the current power level to aid the requester to know which Transmit Power Change Request commands were received by the target.

**Figure 140 - Current**

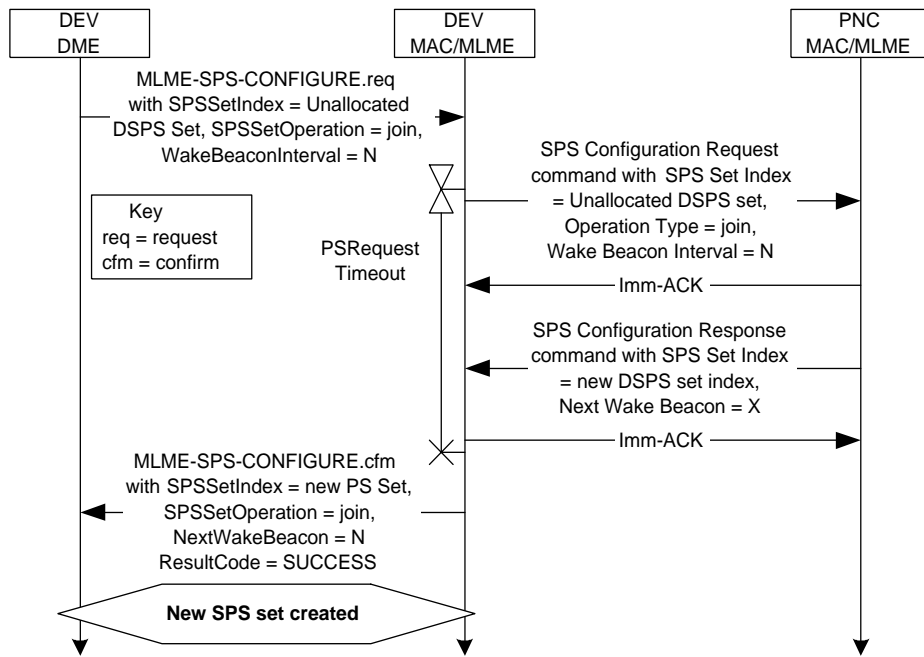


**Figure 140 - New**

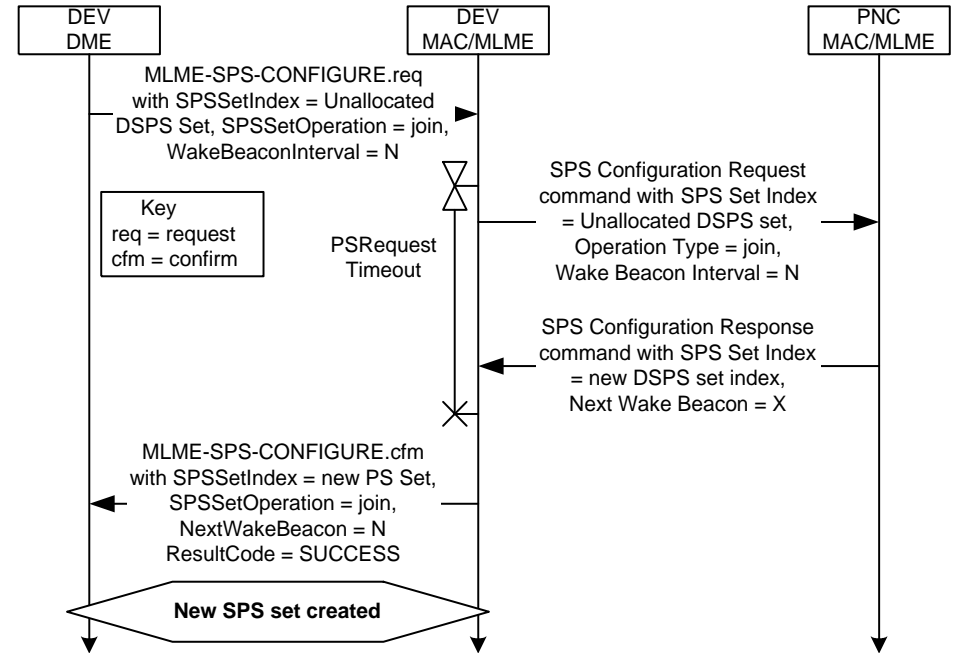


- Imm-ACKs removed.

**Figure 141 - Current**

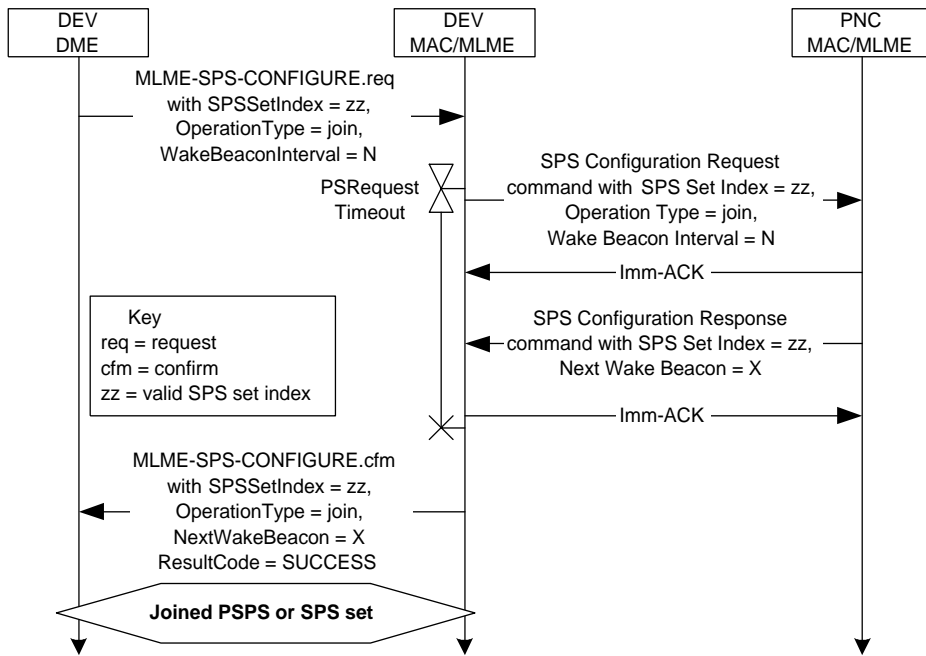


**Figure 141 - New**

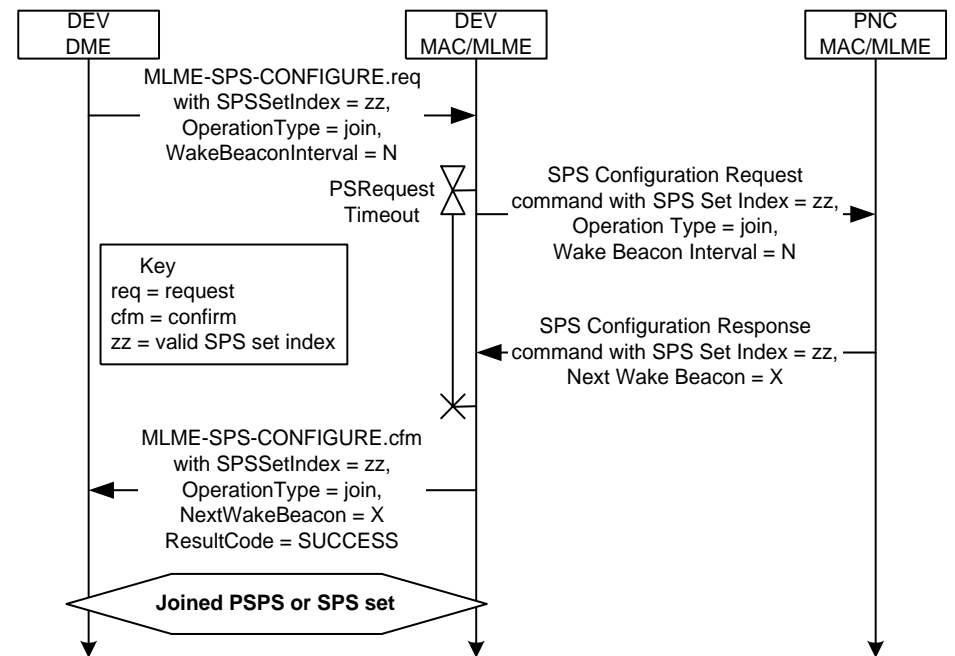


- Imm-ACKs removed.

**Figure 142 - Current**

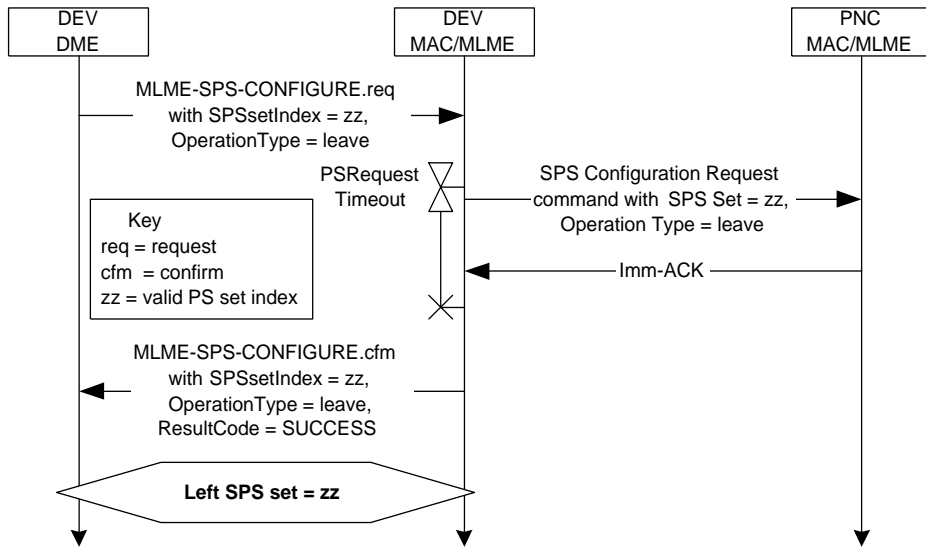


**Figure 142 - New**

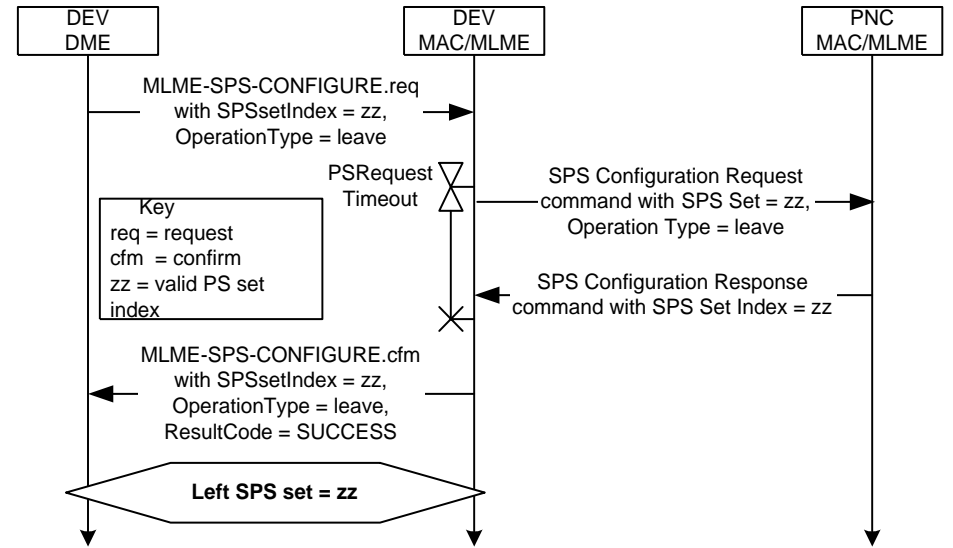


- Imm-ACKs removed.

**Figure 143 - Current**



**Figure 143 - New**



- Imm-ACK replaced with SPS Configuration Response command.



Figure 144 - Current

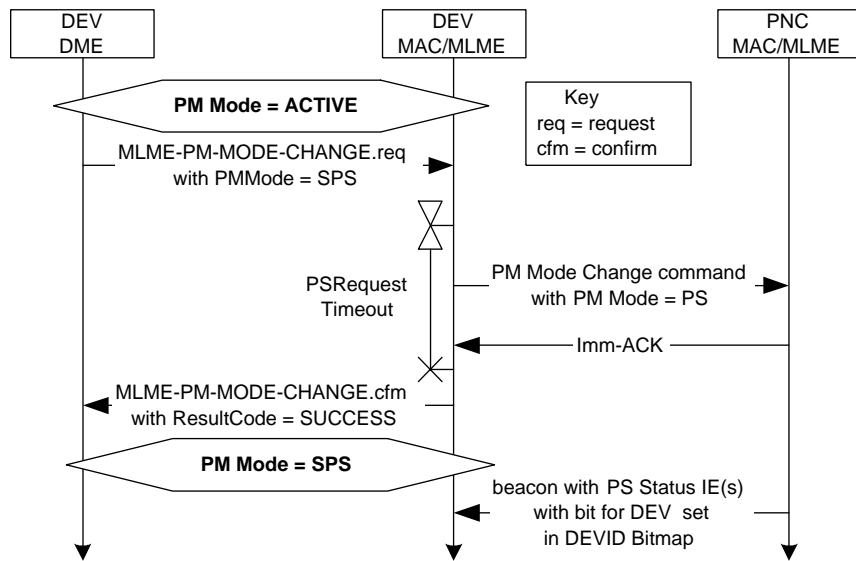
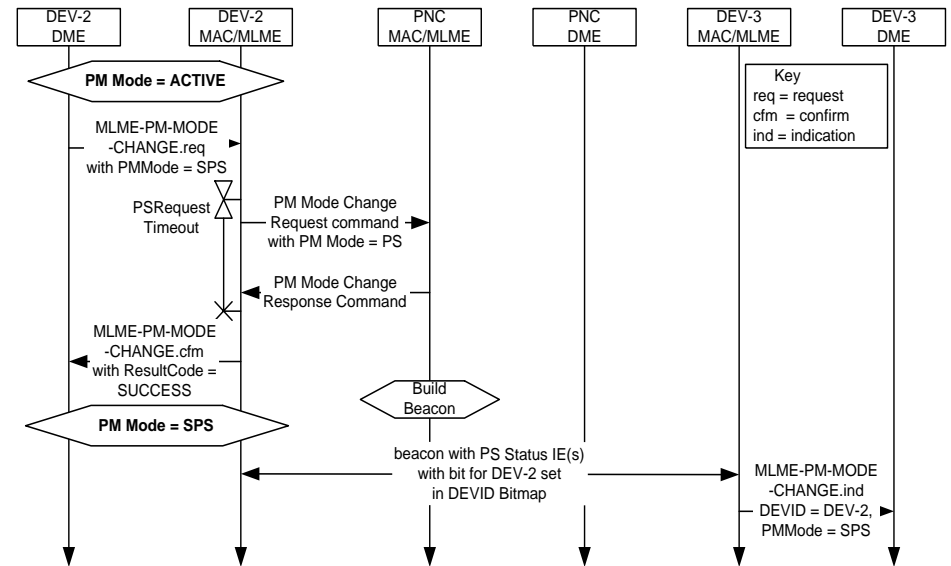


Figure 144 - New



- PM Mode Change command renamed PM Mode Change Request command.
- Imm-ACK replaced with new PM Mode Change Response command.
- DEV-3 added to show a DEV receiving PS Status information in the Beacon.
- New MLME-PM-MODE-CHANGE.indication primitive added.

Figure 145 - Current

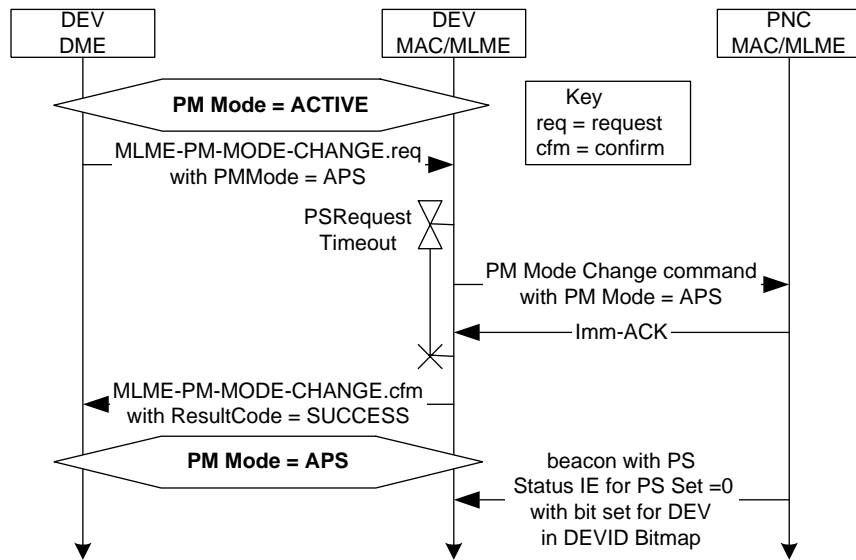
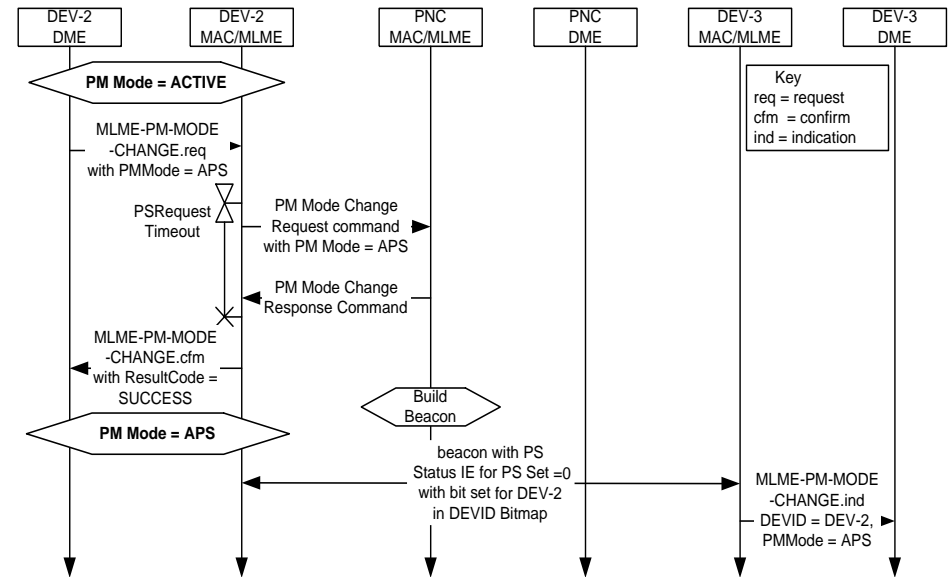
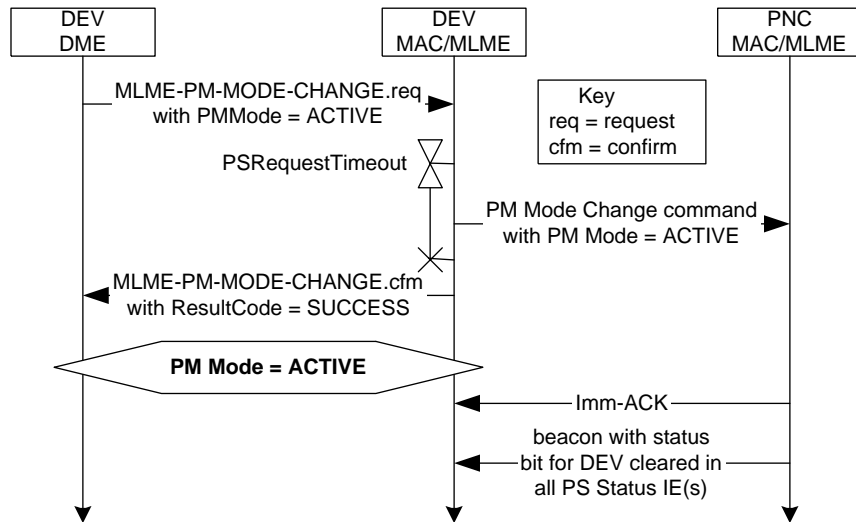


Figure 145 - New

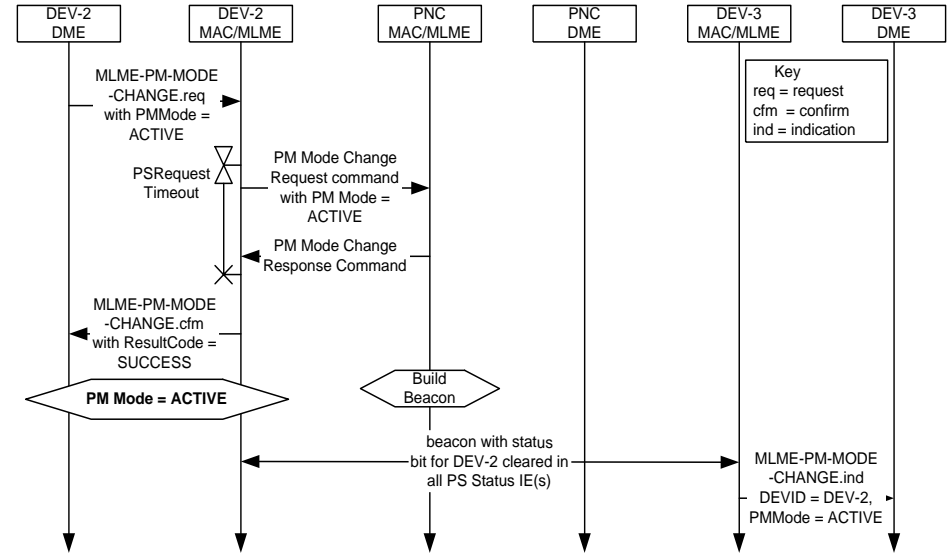


- PM Mode Change command renamed PM Mode Change Request command.
- Imm-ACK replaced with new PM Mode Change Response command.
- DEV-3 added to show a DEV receiving PS Status information in the Beacon.
- New MLME-PM-MODE-CHANGE.indication primitive added.

**Figure 146 - Current**



**Figure 146 - New**



- PM Mode Change command renamed PM Mode Change Request command.
- Imm-ACK replaced with new PM Mode Change Response command.
- DEV-3 added to show a DEV receiving PS Status information in the Beacon.
- New MLME-PM-MODE-CHANGE.indication primitive added.

Figure 147 - Current

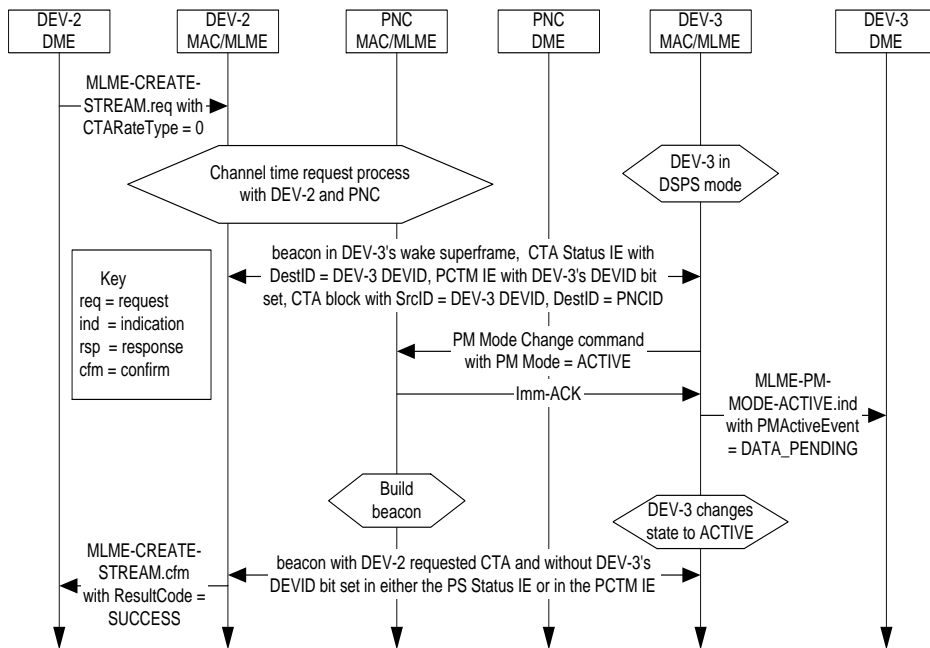
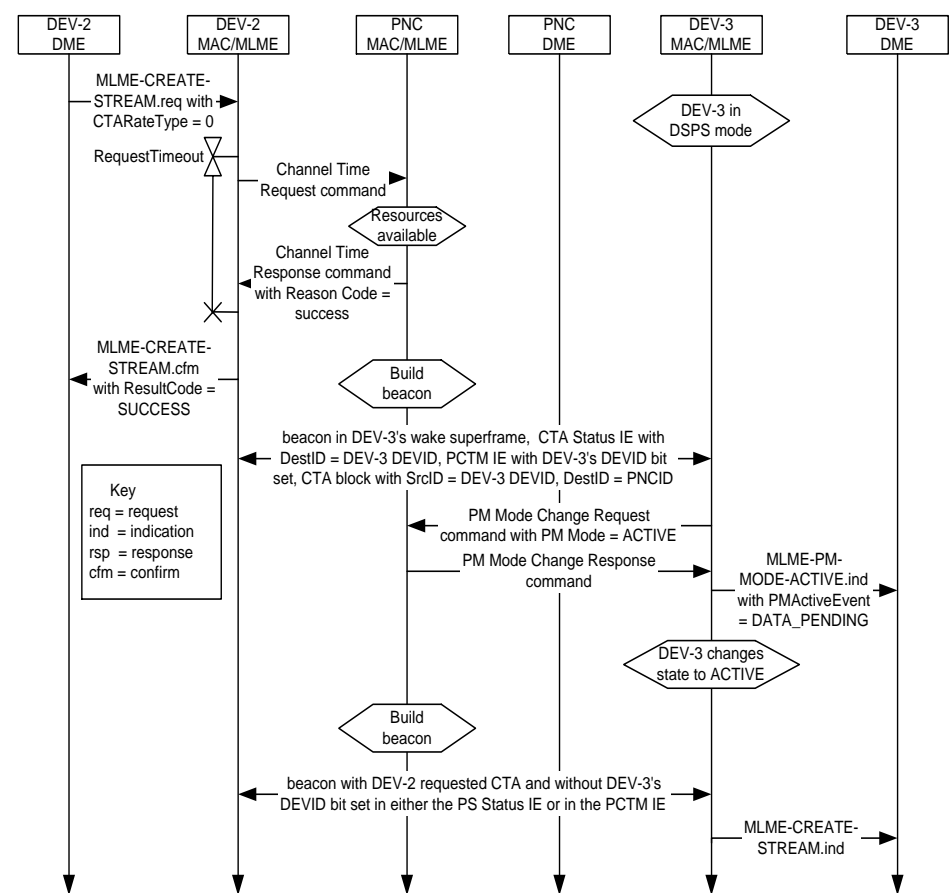


Figure 147 - New



- MLME-CREATE-STREAM.cfm primitive generated after Channel Time Response command is received. The DEV then waits for a beacon with allocated channel time as normal.
- PM Mode Change command renamed PM Mode Change Request command.
- Imm-ACK replaced with new PM Mode Change Response command.

**3. Textual changes**

TBD

