
**IEEE P802.11
Wireless LANs**

802.11

**Liaison from ATIS on Emergency Location Standardization
Effort at ATIS**

Date: 2015-08-06

Author(s):

Name	Company	Address	Phone	email
Adrian Stephens	Intel Corporation			Adrian.p.stephens@intel.com

Abstract

The attached document was received from ATIS, requesting input from Paul Nikolich (IEEE 802 chair) on “work being undertaken in IEEE” related to “improving location accuracy for emergency calls”.

The IEEE 802 chair has requested the 802.11 WG to generate a response in its September session.

Email thread

From: Paul Nikolich [mailto:paul.nikolich@att.net]
Sent: 05 August 2015 19:56
To: ablasgen@atis.org; ...
Subject: Emergency Location Standardization Effort at ATIS

Dear Alexandra,

Thank you to you and the ATIS ELOC Task Force for your inquiry regarding standardization work in IEEE 802 LMSC that may apply to Emergency Location. In fact, we recently established a Next Generation Positioning (NGP) Study Group within the 802.11 Wireless LAN Working Group that specifically addresses the need to identify the absolute and relative position of a Station.

Jonathan Segev is the Chair of the NGP Study Group, I've copied him on this email. I've also copied the 802.11 Working Group leadership, the Chair, Adrian Stephens, and the 802.11 Vice Chairs, Jon Rosdahl and Dorothy Stanely, on this email. Please include them in future communications with 802.

Via this email I request that the 802.11 WG Chair assign handling a formal response to your inquiry at the Working Group's next session.

Regards,

--Paul

----- Forwarded Message -----

From: "Alexandra Blasgen" <ablasgen@atis.org>
To: "'p.nikolich@ieee.org'" <p.nikolich@ieee.org>
Cc: ...
Sent: 8/4/2015 7:26:10 PM
Subject: Emergency Location Standardization Effort at ATIS

Dear Mr. Nikolich:

Please find attached correspondence from the ATIS ELOC TF regarding the emergency location standardization effort at ATIS.

Regards,

Alexandra Blasgen
ATIS Committee Administrator
1200 G Street NW, Ste 500
Washington, DC 20005
+1 (202) 434-8840

ablasgen@atis.org



1200 G Street, NW
Suite 500
Washington, DC 20005

P: +1 202-628-6380
W: www.atis.org

August 5, 2015

Mr. Paul Nikolich
IEEE 802 LAN/MAN Standards Chair
p.nikolich@ieee.org

Re: Emergency Location Standardization Effort at ATIS

Dear Mr. Nikolich:

On November 14, 2014, a Roadmap for improving location accuracy for emergency calls in the US was developed and signed by APCO, NENA, AT&T, Sprint, T-Mobile, and Verizon Wireless. This Roadmap was submitted to the FCC in response to an FCC initiative (proceeding 07-114)¹. The FCC then issued its Report and Order² establishing the US regulations in this area that incorporates most of the points in the Roadmap on February 3, 2015.

In response to the Roadmap, the Alliance for Telecommunication Industry Solutions (ATIS) formed the ATIS Emergency Location (ELOC) Task Force (TF) to address the North American-specific aspects for improving emergency location capabilities and services such as location accuracy and operating environments. The ATIS ELOC TF is developing architectures and related procedures and protocols to improve the determination, acquisition, and conveyance of indoor and outdoor emergency location. It is in the process of defining standards, identifying candidate standards, and identifying gaps in existing standards in support of this effort. Consistent with the FCC order and the Roadmap, the ATIS ELOC TF is targeting completion of this activity by May 2016.

The Attachment shows two example architectures that the ATIS ELOC TF has identified that can be used for the determination, acquisition, and conveyance of indoor and outdoor location. The first figure shows an architecture in the control plane for LTE access and the second figure shows an architecture in the user plane for LTE access. These are preliminary and have the potential to change.

One of the goals of the ATIS ELOC TF is to coordinate with other Standards Development Organizations. The ATIS ELOC TF is interested in any standards or plans for standards your organization may have relating to indoor and outdoor location determination, acquisition, and conveyance.

¹ <http://apps.fcc.gov/ecfs/document/view?id=60000988441>

² https://apps.fcc.gov/edocs_public/attachmatch/FCC-15-9A1.pdf

ATIS ELOC TF requests feedback regarding work being undertaken in IEEE that may relate to this effort. The next meetings of the ATIS ELOC TF are as follows:

- September 23, 2015 (Chicago, IL)
- November 3, 2015 (Overland Park, KS)

As this work progresses, the ATIS ELOC TF expects to communicate with you any further details that may emerge during the development of ATIS standards that may have some significant interdependence with your activity.

Please feel free to contact us should you have any questions.

Sincerely,

Peter Musgrove, ATIS ELOC TF Co-Chair (CM8655@att.com)

Christian Militeau, ATIS ELOC TF Co-Chair (Christian.Militeau@intrado.com)

cc: Steve Barclay, ATIS Director, Global Standards Development (sbarclay@atis.org)
Jackie Voss, ATIS Manager, Global Standards Development (jvoss@atis.org)

Attachment

The following figure illustrates a potential architecture to provide heightened indoor location accuracy in the control plane. New network elements such as the National Emergency Address Database (NEAD) and the National Emergency Address Manager (NEAM) are shown in green.

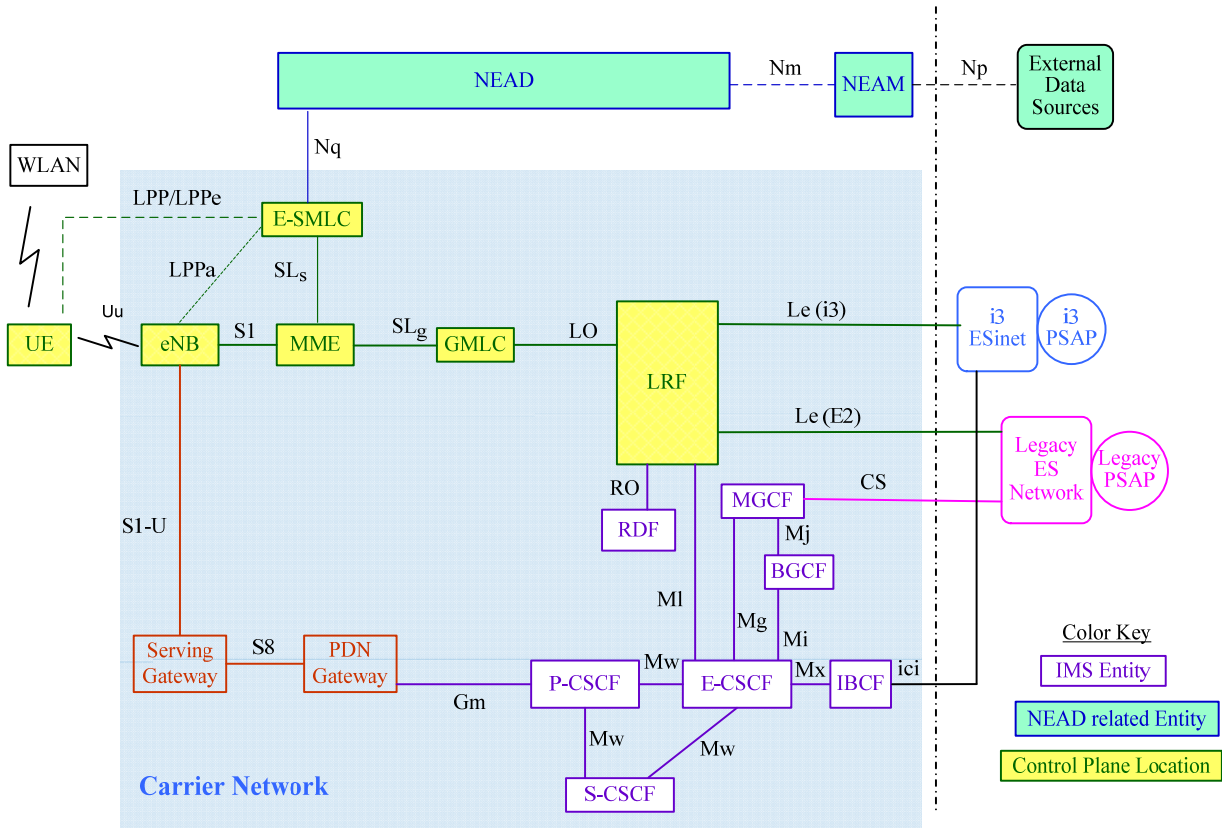


Figure 1 - Architecture for Heightened Accuracy Location with LTE Access and Control Plane Location

The following figure illustrates a potential architecture to provide heightened indoor location accuracy in the user plane.

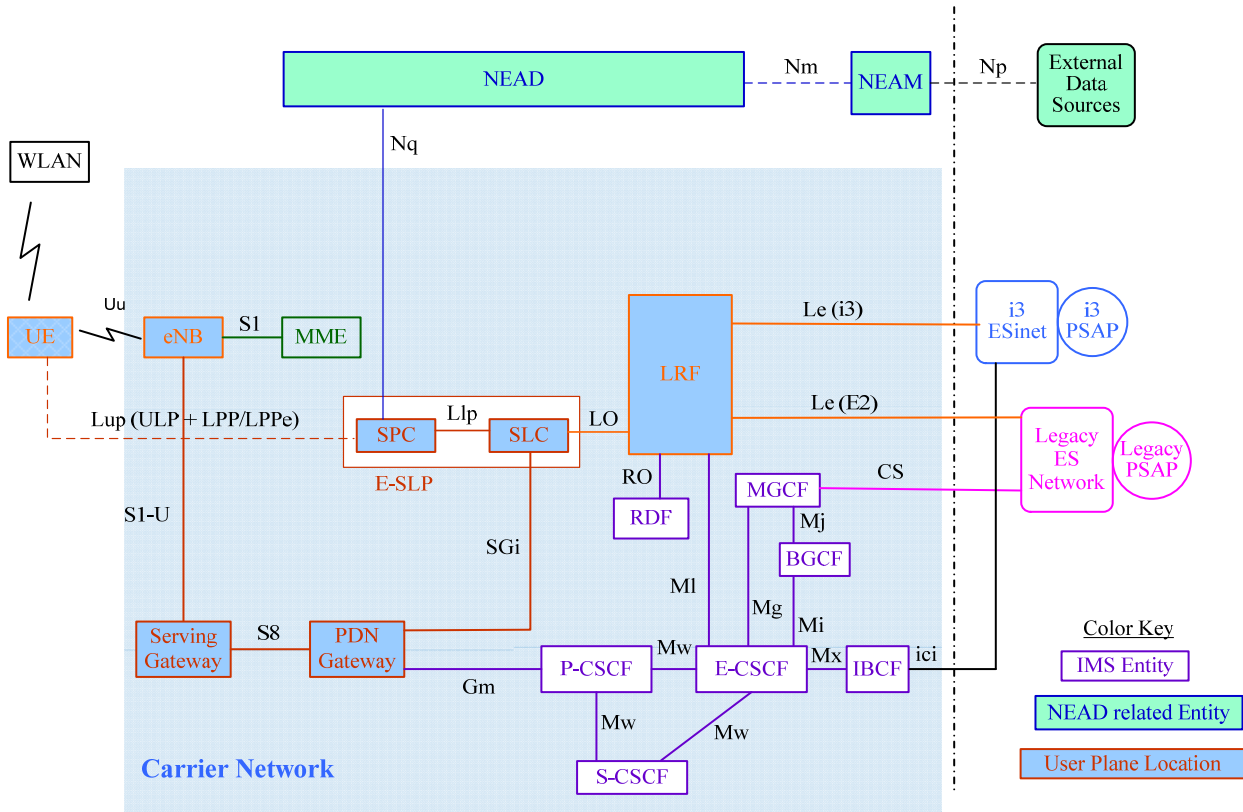


Figure 2 - Architecture for Heightened Accuracy Location with LTE Access and User Plane Location