

July 2012

doc.: IEEE 802.11-12/0973r0

802.16 Study Group Report – July 2012

Date: 2012-07-20

Authors:

Name	Affiliations	Address	Phone	email
Roger Marks	Consensii LLC; Mobile Pulse, Inc.; WiMAX Forum; Airspan Networks, Inc.	Denver, CO, USA		r.b.marks@ieee.org

July 2012

doc.: IEEE 802.11-12/0973r0

Abstract

This report provides an update on the progress of the two current IEEE 802.16 Working Groups Study Groups, both of which first met in May 2012.

Two 802.16 Study Groups Initial Period May-July 2012

- **HetNet Study Group**
 - Study Group on the WirelessMAN Radio Interface in Heterogeneous Networks
 - <http://ieee802.org/16/sg/het>
- **Metrology Study Group**
 - Study Group on Broadband Wireless Access Metrology
 - <http://ieee802.org/16/sg/met>

July 2012

doc.: IEEE 802.11-12/0973r0

Metrology Study Group

Four Meeting Slots in July 2012

Chair: Hyunjeong Kang, Samsung Electronics

**Addressed comments on draft PAR and Five Criteria for
*Mobile Broadband Network Performance Measurements***

Revised PAR P802.16.3

For EC approval 2012-07-02; if approved to NesCom 2012-07-02

Requesting Study Group renewal

**Calling for contributions on initial table of applications and
requirements.**

Calling for contributions on other measurement topics.

Notes on P802.16.3 Review

(1) 802.16 thanks 802.11 for its review and comments.

(2) 802 Chair Paul Nikolich wrote:

Thank you for the WG and the SG for the responses to my comments, they are acceptable and I fully support the proposed project.

EC Members, please take note--since the proposed project breaks new ground for 802 in that it;

a) will specify operations at OSI layers not traditionally addressed by 802 standards, and

b) has cross-working group applicability,

I encourage participation from the wider 802 community with interest in the development of a standard that specifies procedures for characterizing the performance of deployed mobile broadband networks from a user perspective.

July 2012

doc.: IEEE 802.11-12/0973r0

HetNet Study Group

Chair: Harry Bims, Bims Laboratories

Currently considering three project topics

Requesting Study Group renewal

July 2012

doc.: IEEE 802.11-12/0973r0

HetNet Study Group: Issue 1

Multi-Tier amendment to IEEE Std 802.16-2012

Addressed comments on draft PAR and Five Criteria

Revised PAR P802.16q

For EC approval 2012-07-02; if approved to NesCom 2012-07-02

Calling for Contributions on Work Plan and System Requirements

HetNet Study Group: Issue 2

OmniRAN:

- **Heterogeneous Networking among IEEE 802**
- **Open Mobile Network Interface**

Tutorial this week (Monday evening)

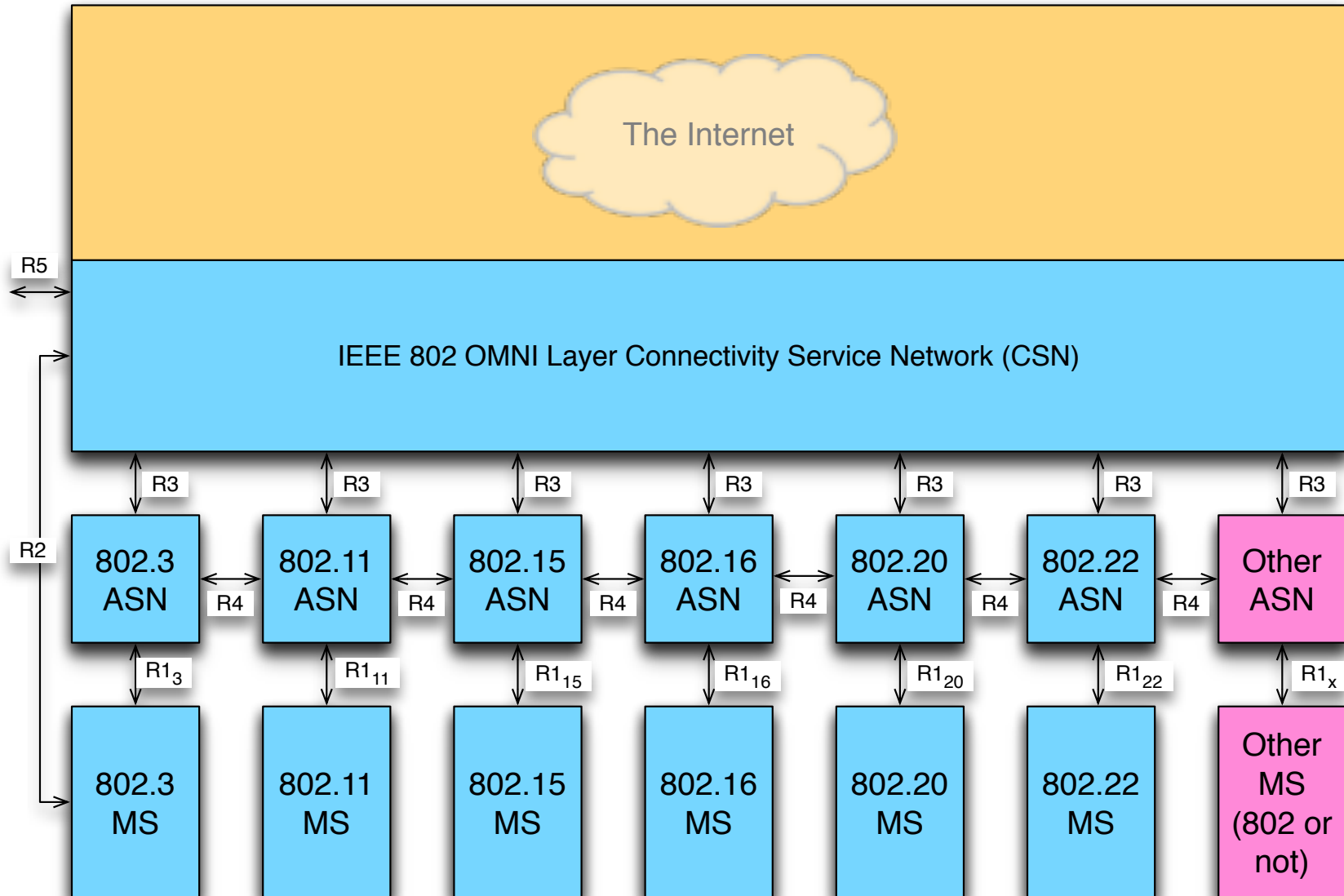
Contributions reviewed

Calling for Comments on Draft PAR

**Calling for Contributions on architecture, functionality,
organization within 802**

- **Initial proposal is for a new WG**

Proposed OMNI Network Architecture (schematic)



HetNet Study Group: Issue 3

New proposal this week: IEEE 802.16 for wireless small-cell backhaul

- **Small cells could be 802.11 APs**
- **Non line-of-sight backhaul**
- **Stationary base station and small cells; high spectral efficiency**

Contributions reviewed

Calling for Contributions

Calling for Comments on draft PAR text