

May 2012

doc.: IEEE 11-10/0719r0

802.16 Study Group Report

Date: 2012-05-18

Authors:

Name	Affiliations	Address	Phone	email
Roger Marks	Consensii LLC; Mobile Pulse, Inc.; WiMAX Forum	Denver, CO		r.b.marks@ieee.org

May 2012

doc.: IEEE 11-10/0719r0

Abstract

This report provides an update on the progress of the two current IEEE 802.16 Working Groups Study Groups, both of which first met in May 2012.

Two 802.16 Study Groups Initial Period May-July 2012

- **Study Group on the WirelessMAN Radio Interface in Heterogeneous Networks**
 - HetNet Study Group
 - <http://ieee802.org/16/sg/het>
- **Study Group on Broadband Wireless Access Metrology**
 - Metrology Study Group
 - <http://ieee802.org/16/sg/met>

May 2012

doc.: IEEE 11-10/0719r0

Metrology Study Group

Four Meeting Slots in May 2012

Chair: Clif Barber, KDDI

Nine input contributions

affiliation with Georgia Tech; Google; Mobile Pulse, Inc.; NIST

Most contributions were related to network performance measurements

Concluded a draft PAR and Five Criteria on *Mobile Broadband Network Performance Measurements*

Calling for contributions on other measurement-related topics.

May 2012

doc.: IEEE 11-10/0719r0

HetNet Study Group

Five Meeting Slots in May 2012

Chair: Harry Bims, Bims Laboratories

Six input contributions

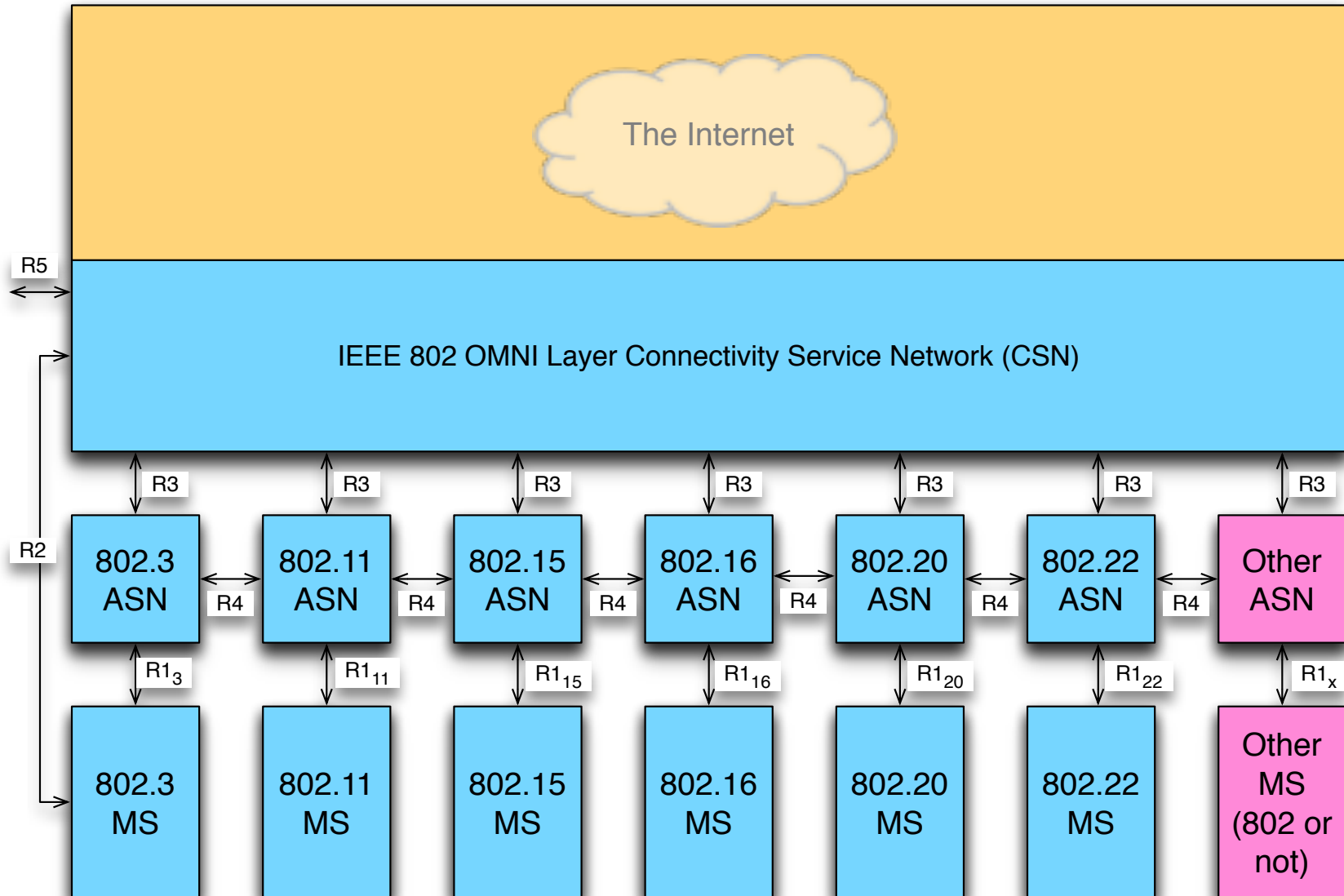
**affiliation with ETRI; Nokia Siemens Networks;
WiMAX Forum**

**Concluded draft PAR and Five Criteria on a Multi-Tier
amendment for the 802.16 air interface**

**Most contributions were related to development of multi-
RAT (radio-access technology) network interface**

**Developed a Call for Contributions on an Open Mobile
Network Interface (OMNI) Standard for an IEEE 802
HetNet**

Proposed OMNI Network Architecture (schematic)



May 2012

doc.: IEEE 11-10/0719r0

HetNet tutorial in July

Heterogeneous Networking among the IEEE 802 Family – Proposal for an Open Mobile Network Interface (OMNI) Standard

Harry Bims, Bims Laboratories, Inc.

Roger Marks, Consensii LLC; WiMAX Forum

Max Riegel, Nokia Siemens Networks

Charlie Perkins, Futurewei

Juan Carlos Zuniga, InterDigital