

Questions about the IEEE 802 Architecture

Notice to WG Chair: This contribution is “previously published” per the IEEE SA Copyright Policy, as it includes material previously published in IEEE Std 802, IEEE Std 802.1Q, IEEE Std 802.1AX, and IEEE Std 802.1CB.

Note: Personal views of contributor expressed herein.

Roger Marks (EthAirNet Associates; Huawei)

roger@ethair.net

+1 802 capable

2 December 2021

What is the IEEE 802 Family?

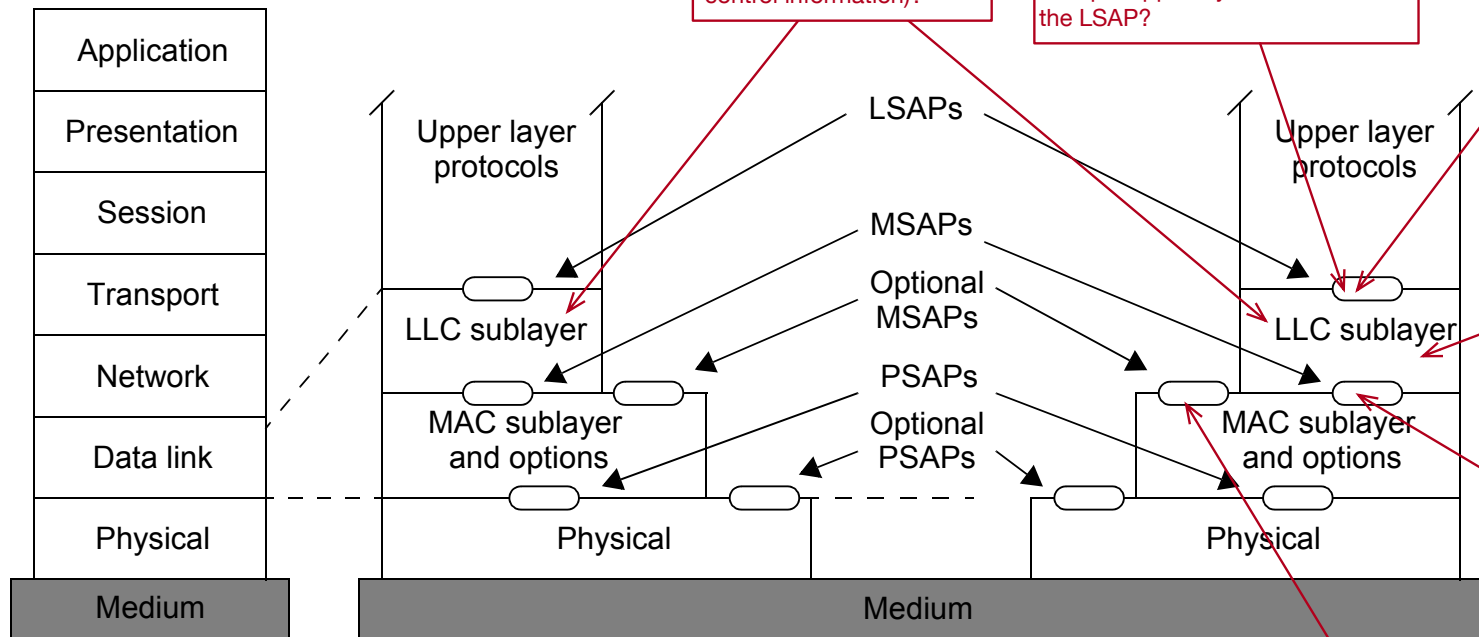
- IEEE Std 802 says:
 - *This standard serves as the foundation for the family of IEEE 802 standards published by IEEE for local area networks (LANs), metropolitan area networks (MANs), personal area networks (PANs), and regional area networks (RANs).*
 - *several types of medium access technologies are currently specified in the family of IEEE 802 standards*
- What is a “Family of Standards”?
- In what way are the standards “related”:
 - The nature of the relationship is not explained or explored.
- What do IEEE 802 standards have in common?
 - They largely share addresses.
- So, is this a family, or simply a group of “roommates” with some shared addresses?

Architecture in IEEE Std 802

- IEEE Std 802 covers “Overview and Architecture”
- The Scope includes
 - “the IEEE 802 architecture is defined”
- The word “architecture” appears sparsely.
- No content purports to specify the architecture.
- The closest to a specification of the architecture is in Clause 5 (“Reference models (RMs)”), which says
 - “Figure 3 shows the architectural view of IEEE 802 RM for end stations and its relation to the OSI/RM. A variation of the model applies within bridges, as described in 5.3.2.”
- Where is the IEEE 802 architecture specified?

IEEE 802 Reference Model

MSAP MAC service access point
 LSAP link service access point



Can two LLC entities communicate (e.g. share control information)?

How does the application express QoS requests?

How does LLC arbitrate when multiple upper layers have data for the LSAP?

What are the characteristics of the Link Layer service provided to the Link Layer client at the LSAP, analogous to the LLC specification in IEEE Std 802.2?

What parameters are passed?

What are the allowed frame formats? Which formats are forbidden or blocked?

What are the functions of the LLC?

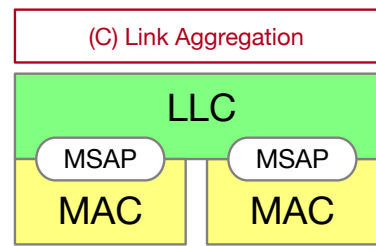
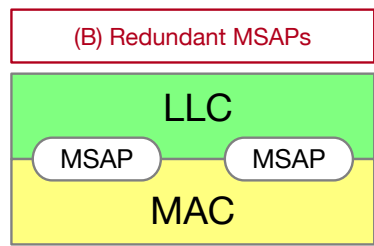
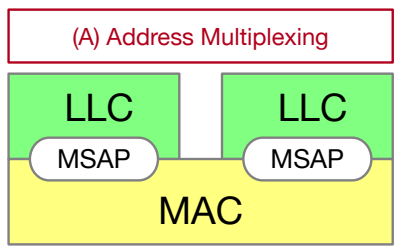
How are the parsing rules used to identify the service parameters (from LSAP and from MSAP)?

What are the allowed frame formats?

How is the MSAP characterized by MAC address; e.g., can an MSAP have multiple MAC addresses; e.g. multicast addresses).

Does the MAC handle this? Are there arbitration issues when both LLCs send data to the MAC?

Figure 3—IEEE 802 RM for end stations



Do the MSAP and Optional MSAP allow configurations (A), (B), and (C)? The figure seems to suggest (A). IEEE 802 says "MAC sublayer provides one or more MAC service access points (MSAPs) as interfaces to the LLC sublayer in an end station"; this could be (A) or (B). Is (B) allowed? Do we need (B)? Is Link Aggregation (C) within the architecture?

802.1AX Link Aggregation in the LLC

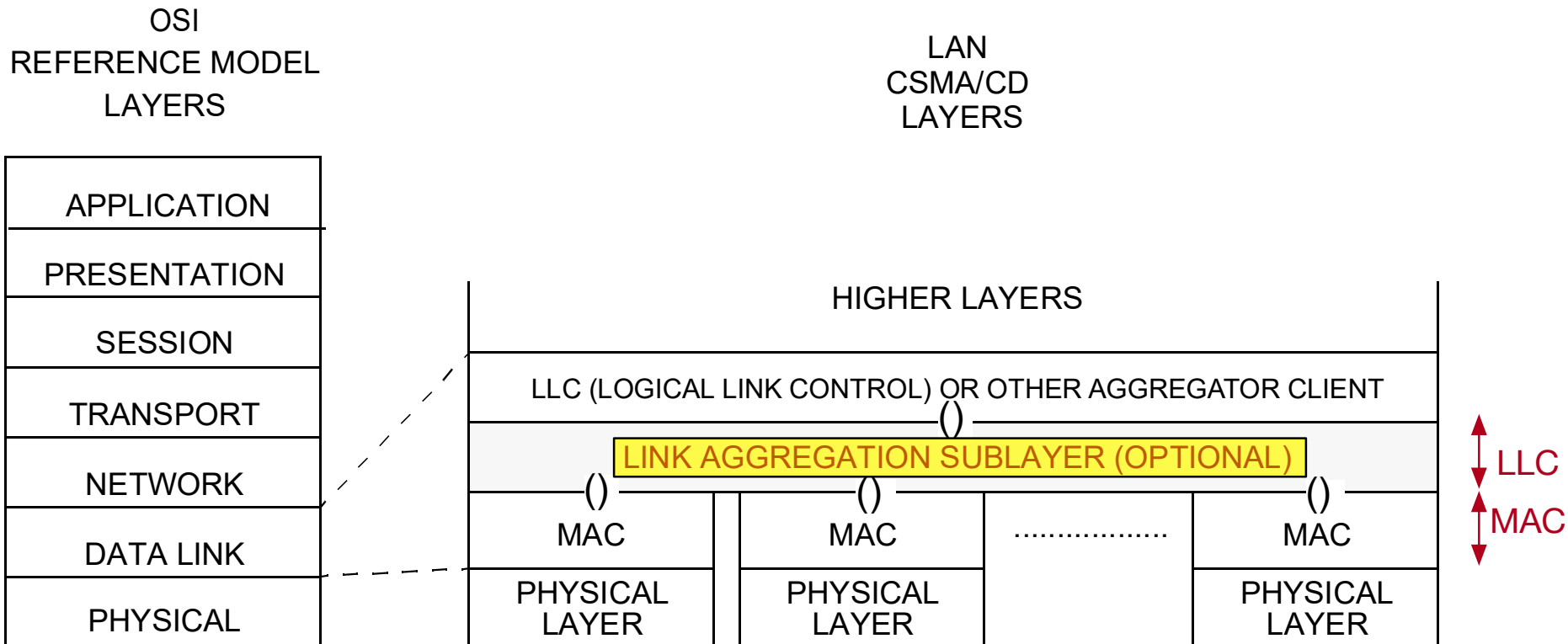


Figure 6-1—Architectural positioning of Link Aggregation sublayer

IEEE 802: LLC and HLPDE

IEEE Std 802 says “The higher layer protocol discrimination entity (HLPDE) is used by the LLC sublayer to determine the higher layer protocol to which to deliver an LLC sublayer protocol data unit (PDU). Two methods may be used in the HLPDE. The two methods are... (EPD) and (LPD).”

- Does the MAC care which one is used?
- How does the recipient LLC know which one was used?
- Does the LL Client need to be able to support both, know the HLDPE method of the LLC, and format frames accordingly?
- Can each LL Client select it's preferred identifier type (e.g. DSAP/SSAP, EtherType, OUI-based, etc.)?
- What does the IEEE Std 802 Introduction (which “is not part of IEEE Std 802-2014”) mean by “While the protocol identification mechanism specified by ISO/IEC 8802-2 (IEEE Std 802.2™, withdrawn) is still used, its use for new standards has been deprecated.” In which standard is it deprecated?

The LLC sublayer contains a variety of entities, as illustrated in Figure 6.

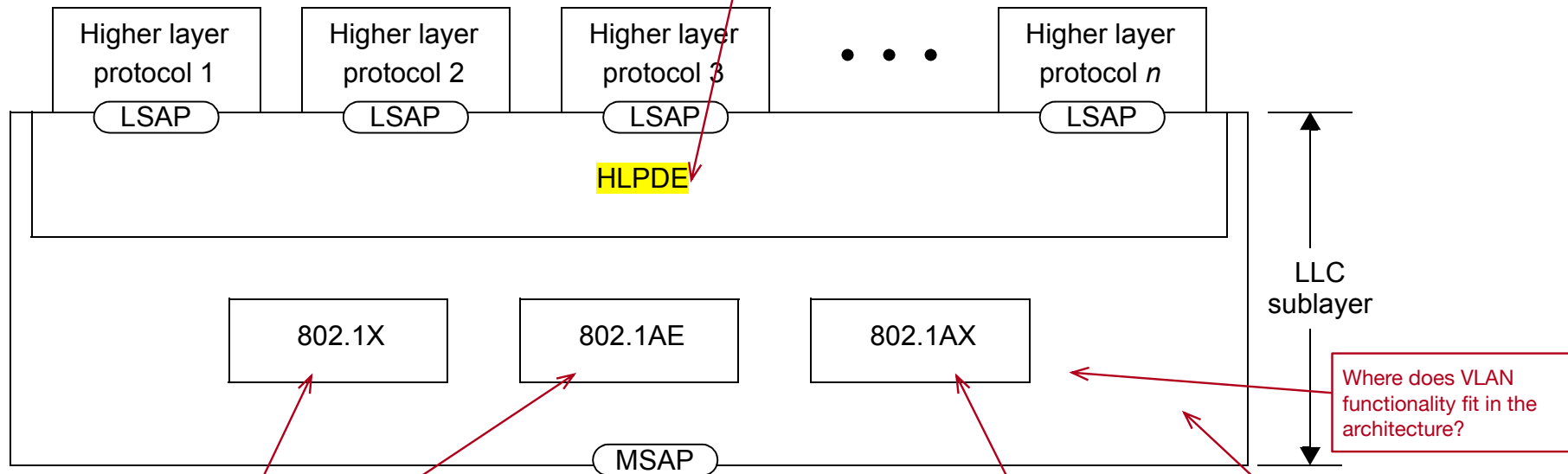


Figure 6—LLC sublayer in 802 RM

How do 802.1X Port-Based Network Access Control and 802.1AE MAC Security fit into the sublayered architecture?

How does 802.1AX Link Aggregation fit into the architecture? Does this imply multiple MSAPs (to multiple MAC entities) below an LSAP (C), even though only one is shown?

What's else is missing? Other methods using end-station tags; e.g.:
 •802.1CB Redundancy-tag for Frame Replication and Elimination for Reliability (FRER)
 •CN-tag for congestion notification

Tags and Shims

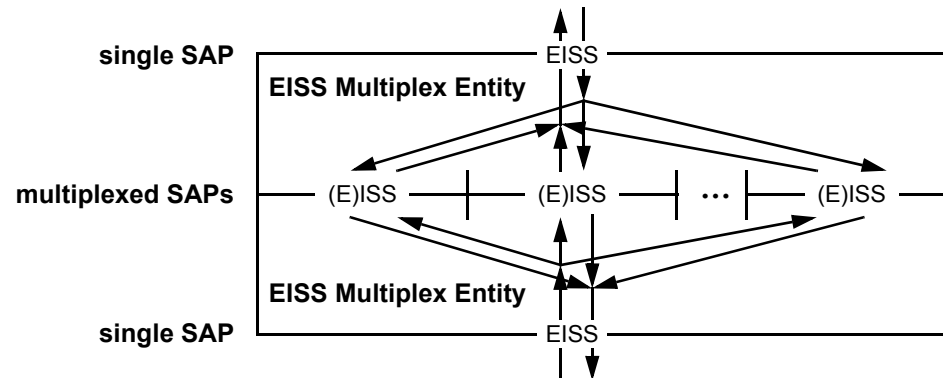
What is the role of tags and shims in the 802 architecture? They are not mentioned in IEEE Std 802.

Per 802.1Q:

- *Tag header: A header that allows priority information, and optionally, Virtual Local Area Network (VLAN) identification information, to be associated with a frame.*
- *Tagged frame: A frame that contains a tag header immediately following the Source MAC Address field of the frame.*
- *shim: A protocol entity that uses the same service as it provides.*
NOTE—Within this standard, shims make use of the Internal Sublayer Service (ISS) or the Enhanced Internal Sublayer Service (EISS).

IEEE Std 802 need not detail bridge architecture, but some tags are used in end stations. Sometimes the architecture is unclear.

The EISS Multiplex Entity enables **shims** defined for the ISS to use the EISS. Figure 6-6 illustrates two EISS Multiplex Entities placed back-to-back.



A VLAN-aware **end station** can use the EISS Multiplex Entity (6.17) to provide multiple SAPs, one per VID of interest, to separate MAC Clients.

-IEEE Std 802.1Q-2018

Figure 6-6—Two back-to-back EISS Multiplex Entities

Protocol stack per 802.1CB (FRER) (Informative Annex C.1)

In the 802 architecture, everything between MAC and upper layers is LLC, so this is all within LLC.

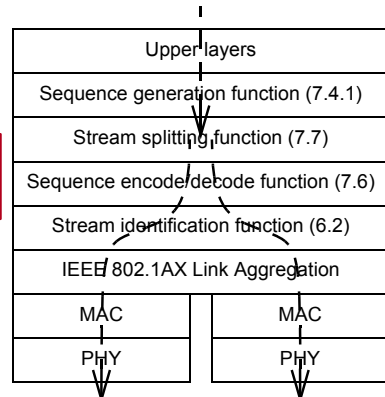


Figure C-2—Protocol stack for End System B in Figure C-1

In the 802 architecture, everything between MAC and upper layers is LLC, so this is all within LLC.

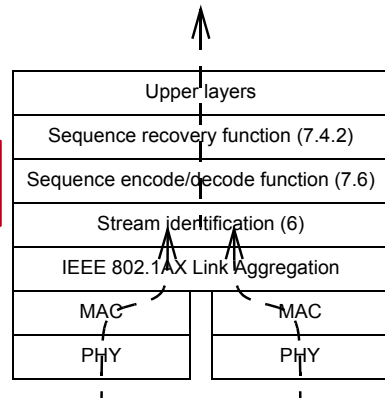


Figure C-3—Protocol stack for End System G in Figure C-1 and Figure C-4

Field	Offset	Length
Destination MAC address	0	6
Source MAC address	6	6
C-TAG EtherType	12	2
Priority, DE, VLAN ID	14	2
R-TAG EtherType	16	2
Reserved	18	2
Sequence number	20	2
Payload Length/EtherType	22	2
Data	24	<i>n</i>
Frame Check Sequence	24+ <i>n</i>	4

Figure 8-3—Example Ethernet frame format

Followup Questions

- ITU-T X.212 (“Data Link Service [DLS] definition”) specifies that the DLS “transfers DLS user data transparently, without restricting or interpreting the content or format of the data.”
 - Does the IEEE 802 Link Layer Service (at the LSAP) to offer such a service?
- It is possible to answer the questions herein in a way that is consistent with existing IEEE 802 standards?
- Would a clarified IEEE 802 architecture and IEEE 802 Link Layer service provide an easier way for applications to make use of IEEE 802 networks, independent of the specific MAC in use?
- Would a clarified IEEE 802 architecture and IEEE 802 Link Layer service provide an easier route to improving IEEE 802 functionality and making it available to network clients?

Further information

- 802.1-21-0045-02-ICne (2021-09-23)
 - [ELLA: What is the IEEE 802 Link Layer Service?](#)
- 802.1-21-0060-04-ICne (2021-11-03)
 - [ELLA: Proposed Aspects of IEEE Std 802 Revision](#)
- 802.1-21-0073-00-ICne (2021-11-18)
 - [ELLA: What's missing from the IEEE 802 Architecture?](#)