



## **IEEE 802 Plenary Session**

The Venetian Macao

## **Mid-Session Network Services Report**

March 17<sup>th</sup>, 2016

### **Summary**

Verilan, Inc. is providing comprehensive network services for the IEEE 802 March 2016 Plenary session at the The Venetian Macao in Macao, CN. We are pleased to report that after a full infrastructure deployment, the network is fully operational, stable and supporting in excess of 1300 unique wireless devices (laptops, tablets, smartphones, etc.).

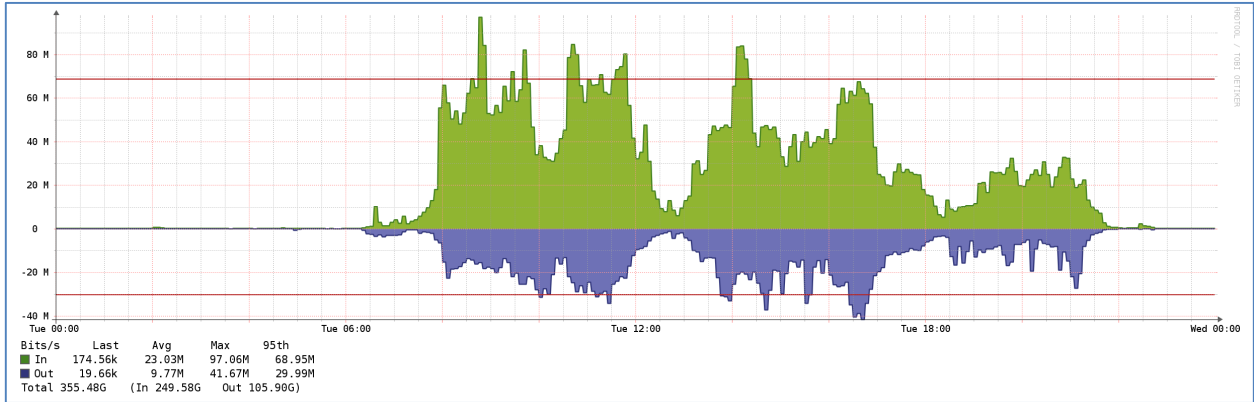
The Verilan Network Help Desk located in Da Vinci 2801 is providing support for all attendees during scheduled meeting hours. All Help Desk client support requests have been addressed and fully resolved by the Verilan staff.

Verilan performed a network site inspection in September 2015 of The Venetian Macao meeting space LAN infrastructure to develop the custom network design used for this event. We contracted for 100Mb/s of symmetrical uncapped bandwidth. The hotel has provided a dedicated 150Mb/s symmetrical Internet circuit provisioned by Companhia de Telecomunicações de Macau S.A.R.L. (CTM).

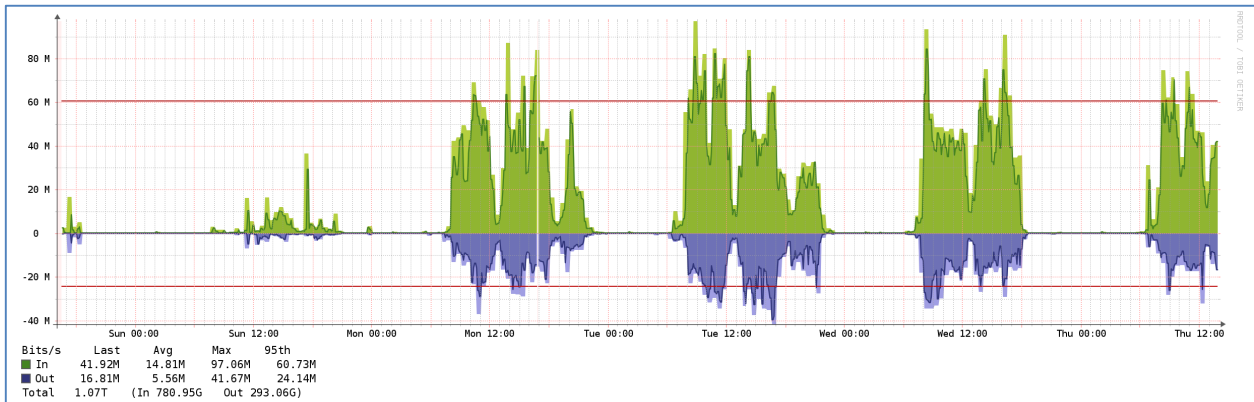
Comprehensive LAN and WLAN infrastructure including managed layer 3 switches were configured and deployed by Verilan in the MDF, IDFs and 35 meeting rooms located on Level 1 and Level 3 of the The Venetian Macao conference center. A total of four IDFs were cross-connected to the MDF via OS1 fiber.

Peak inbound Internet bandwidth recorded to date during this session is 97.06 Mb/s. The 95<sup>th</sup> percentile sample inbound data rate measured over a 24-hour period is 62.15 Mb/s. Peak outbound Internet bandwidth recorded to date during this session is 41.67 Mb/s. The 95<sup>th</sup> percentile sample outbound data rate measured over a 24-hour period is 18.34 Mb/s.

Internet usage for the last 24-hour period is shown in Figure 1. Internet usage for the week is shown in Figure 2.



**Figure 1. Internet Usage: 24 hour period (Tuesday, March 15, 2015)**



**Figure 2. Internet Usage: Current week**

## Network Issues

We are pleased to announce that this has been a trouble free deployment with no network issues being reported.

## Network Deployment & Coverage

Verilan deployed a full Gigabit Ethernet LAN, and 53 enterprise grade tri-modal IEEE 802.11a/g/n wireless access points throughout The Venetian Macao to provide coverage for all IEEE 802 meeting spaces. Verilan is providing a secure (WPA2-PSK) network for all registered attendees. The location of WAP deployments is shown in Figure 3.

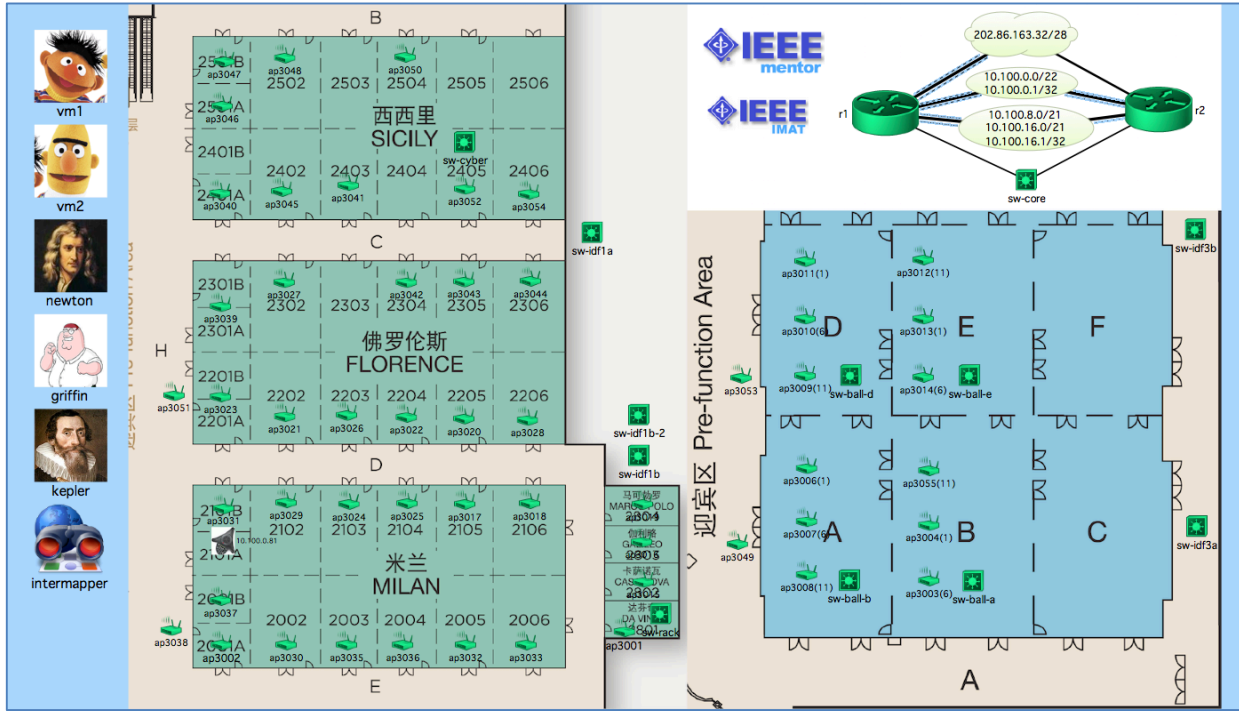


Figure 3. Wireless Access Point Deployment Plan