

IEEE 1900.7 White Space Radio

PHY layer based on FBMC

Date: **2013-02-19**; Phone conference

Authors:

Name	Company	Address	Phone	Email
Nicolas CASSIAU	CEA-LETI	17 rue des Martyrs 38054 Grenoble FRANCE		Nicolas.cassiau@cea.fr
Jean-Baptiste Doré	CEA-LETI	17 rue des Martyrs 38054 Grenoble FRANCE		jean-baptiste.dore@cea.fr
Dominique NOGUET	CEA-LETI	17 rue des Martyrs 38054 Grenoble FRANCE		dominique.noguet@cea.fr

Notice: This document has been prepared to assist IEEE DYSPAN SC. It is offered as a basis for discussion and is not binding on the contributing individual(s) or organization(s). The material in this document is subject to change in form and content after further study. The contributor(s) reserve(s) the right to add, amend or withdraw material contained herein.

Release: The contributor grants a free, irrevocable license to the IEEE to incorporate material contained in this contribution, and any modifications thereof, in the creation of an IEEE Standards publication; to copyright in the IEEE's name any IEEE Standards publication even though it may include portions of this contribution; and at the IEEE's sole discretion to permit others to reproduce in whole or in part the resulting IEEE Standards publication. The contributor also acknowledges and accepts that this contribution may be made public by IEEE DYSPAN SC.

Patent Policy and Procedures: The contributor is familiar with the IEEE Patent Policy and Procedures <<http://iee802.org/guides/bylaws/sb-bylaws.pdf>>, including the statement "IEEE standards may include the known use of patent(s), including patent applications, provided the IEEE receives assurance from the patent holder or applicant with respect to patents essential for compliance with both mandatory and optional portions of the standard." Early disclosure to the Working Group of patent information that might be relevant to the standard is essential to reduce the possibility for delays in the development process and increase the likelihood that the draft publication will be approved for publication. Please notify the Chair <harada@nict.go.jp> as early as possible, in written or electronic form, if patented technology (or technology under patent application) might be incorporated into a draft standard being developed within IEEE DYSPAN SC. **If you have questions, contact the IEEE Patent Committee Administrator at <patcom@ieee.org>.**

Abstract

- ➔ This contribution presents some parameters and performance analysis for Filter Bank Multi Carrier (FBMC) physical layer.
- ➔ Bit Error Rate (BER) performance are presented for different modulation and coding schemes.

Background (1/2)

- ➔ P1900.7 general requirement (1900.7-12-0021-r1) identifies that:
 - “The P1900.7 shall provide means to protect primary systems according to the national and international radio regulations.”
 - “The P1900.7 shall support multi free bands for secondary users access.”
- ➔ This means that P1900.7 shall be able to operate with a minimal interference to potential adjacent primary user.
- ➔ The P1900.7 general requirement identifies Multi-Carrier systems as a good approach to meet operation flexibility in the spectrum domain.

Background (2/2)

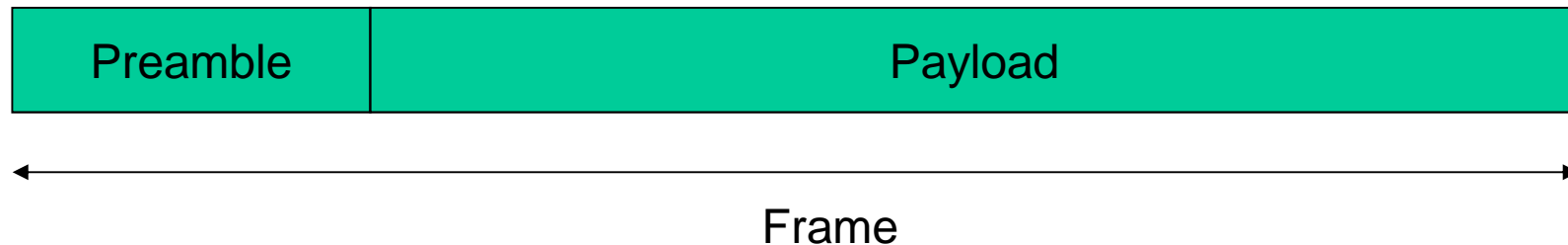
- ➔ In 7-12-0037r1, the good ACLR performance of FBMC was stressed and outperforms the one of OFDM
- ➔ It was shown in 7-12-0038 that FBMC has good spectrum efficiency properties in comparison to OFDM
- ➔ UHF TV bands is a prime option where White Space Radio (WSR) is applicable.
- ➔ A motion passed on June 28th saying that TVWS is a target band for P1900.7
- ➔ Therefore TVWS parameters will be used for quantitative evaluation and comparison without any loss of generality

* In this presentation TVWS refers to the channels of the UHF interleaved spectrum that are not used by a primary user in the area covered by the WSR.

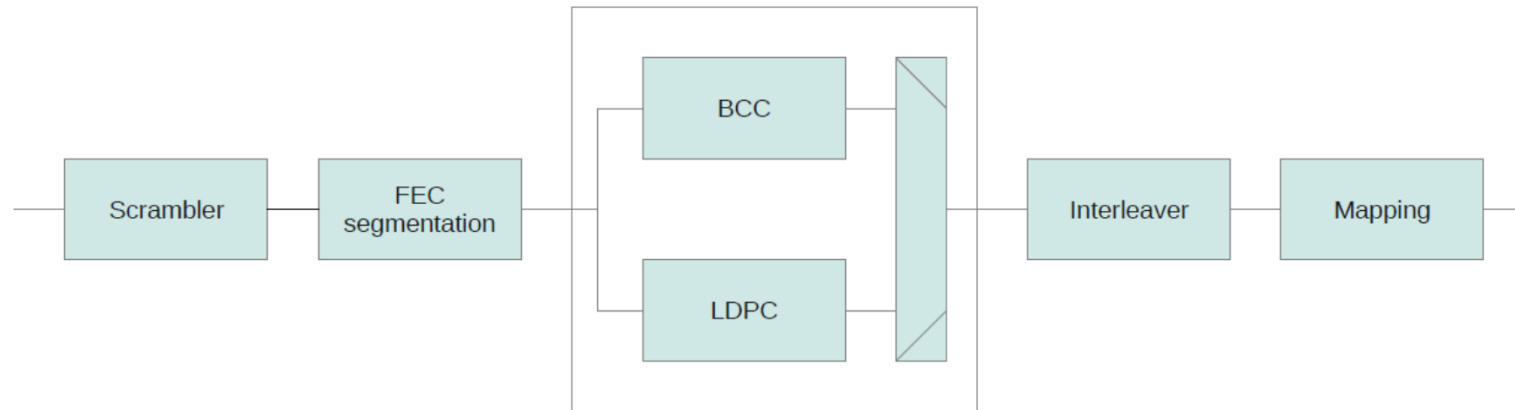
Frame Structure

➔ Burst transmission

- A Frame is composed of a preamble and a payload



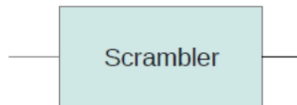
Channel coding: overview



- ➔ Scrambler (PN17)
- ➔ FEC - $N=648, 1296$ or 1944 bits, $R=1/2, 2/3, 3/4$
 - Binary Convolutional Code (BBC) or LDPC

Channel coding: Scrambler

- ➔ Scrambler (PN17)
 - $X^{17} + X^{14} + 1$
 - Initialisation 0x1000



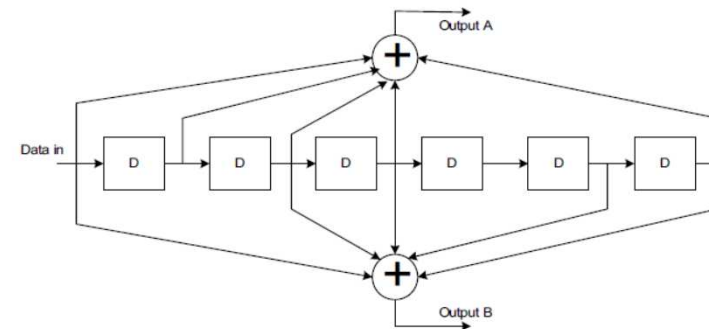
Channel coding: FEC (1/2)

➔ Binary convolutional code

- The data burst is encoded using a rate: 1/2 binary convolutional encoder.
- The constraint length of this coder is equal to 7 and its generator polynomials are 171_o and 133_o
- 8 bits of tail bit
- The output size is N=648, 1296 or 1944
- Output : A0 B0 A1 B1 A2 B2

➔ Puncturing

- Rate 1/2, 2/3, 3/4
- Pattern:
 - 1/2 : A0 B0 A1 B1
 - 2/3 : A0 B0 A1 X
 - 3/4 : A0 B0 X X



Channel coding: FEC (2/2)

➔ LDPC code

- QC LDPC with staircase like structure
 - 802.11n LDPC codes

- 12 LDPC matrices
 - N=648 bits, R=1/2,2/3,3/4 and 5/6
 - N=1296 bits, R=1/2,2/3,3/4 and 5/6
 - N=1944 bits, R=1/2,2/3,3/4 and 5/6

Channel coding: Interleaver

➔ Basic row column interleaver

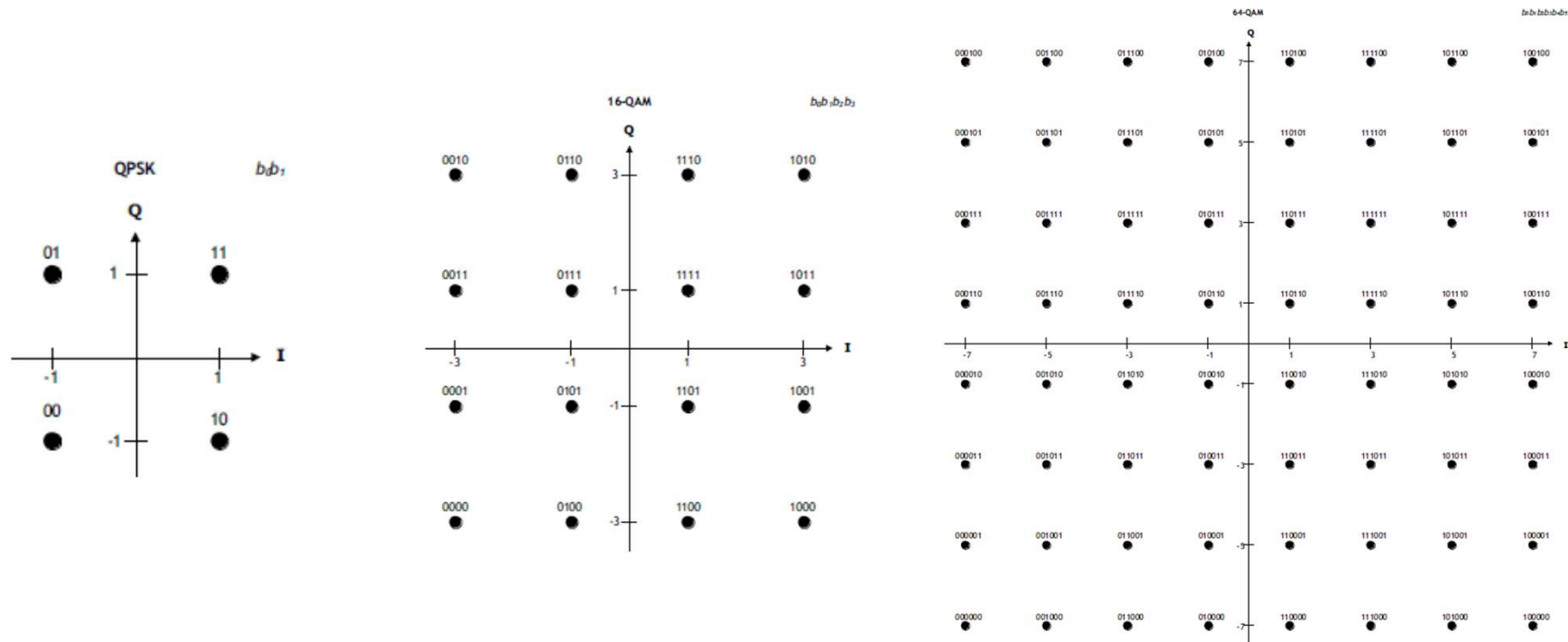
- m columns and l rows
 - m: modulation order
 - $l = kN/m$ where k is an integer (depends on latency constraints)
 - k = 1 to 32
 - k = 1 : bit are interleaved on one FEC block
 - k = 32 : bit are interleaved on 32 FEC blocks

Channel coding: Padding

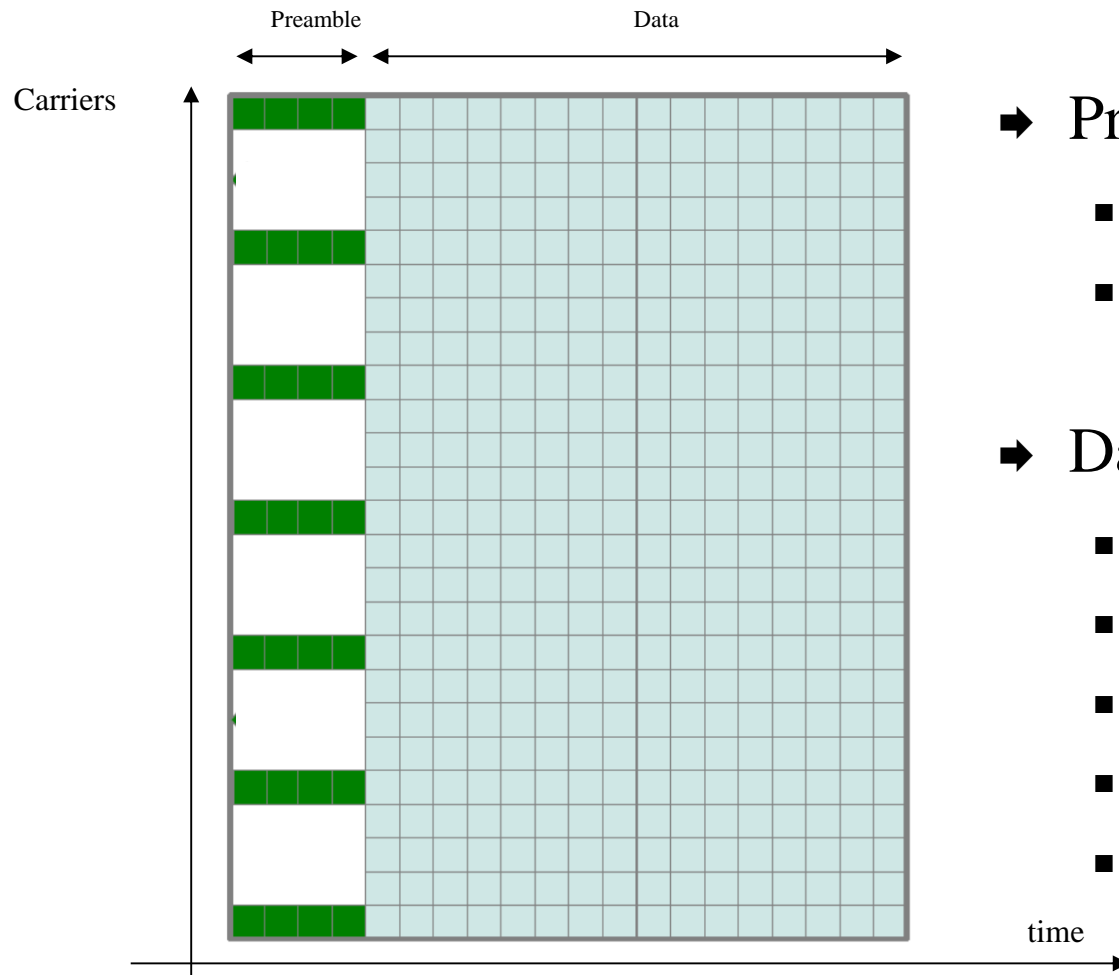
- ➔ Padding are introduced after interleaving at the bit level to fill the last FBMC symbol
- ➔ Padding are used a PRBS generator PN17
 - $X^{17} + X^{14} + 1$
 - Initialisation 0x1000

Constellation mapping

- ➔ The output of the bit interleaver are entered serially to the constellation mapper
 - QPSK, 16 QAM or 64 QAM using Gray mapping



FBMC mapping



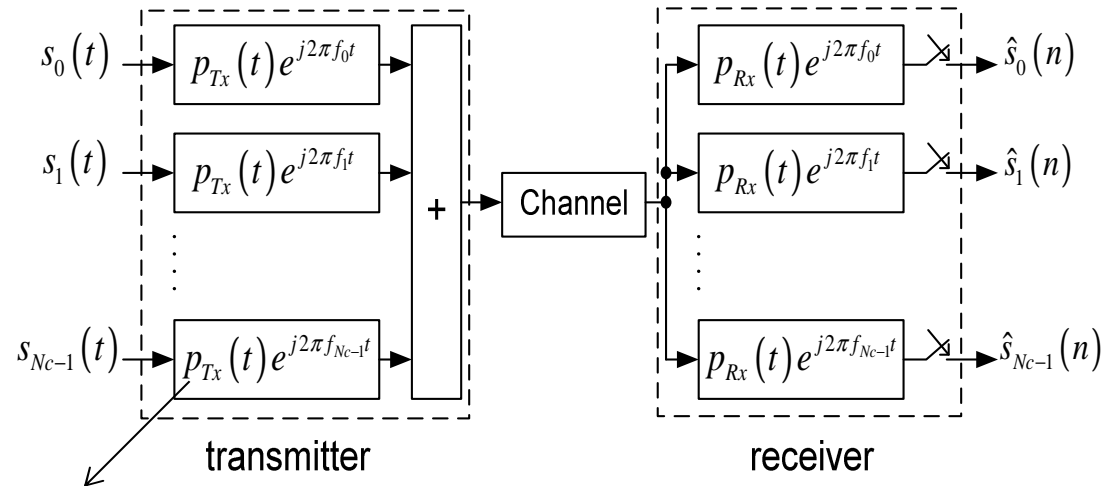
➔ Preamble

- Pilots BPSK
- Length = 4 blocks

➔ Data

- FFT size = 1024
- Max Active carriers = 489
- Nb Active carriers = $4p+1$
- QAM
- Length = 4 to 64

FBMC: Generic scheme



prototype filter: Typically $KN_c \pm 1$ samples long.
 Very well localized in frequency.
 Only adjacent carriers overlap.

Number of carriers: N_c

Symbol rate: $T = N_c T_s$

Sampling duration: T_s

InterCarrier Spacing: Δf

FBMC: Parameters

- ➔ $K = 4$ optimized for ACLR
 - 60dB rejection for the frequency range above 2 sub channels

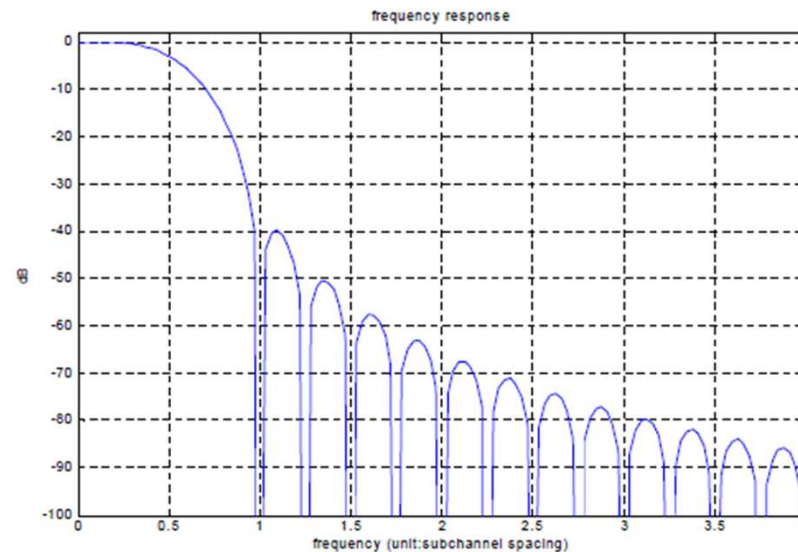
$$H(0) = 1$$

$$H(1/L) = 0.971960$$

$$H(2/L) = 1/\sqrt{2}$$

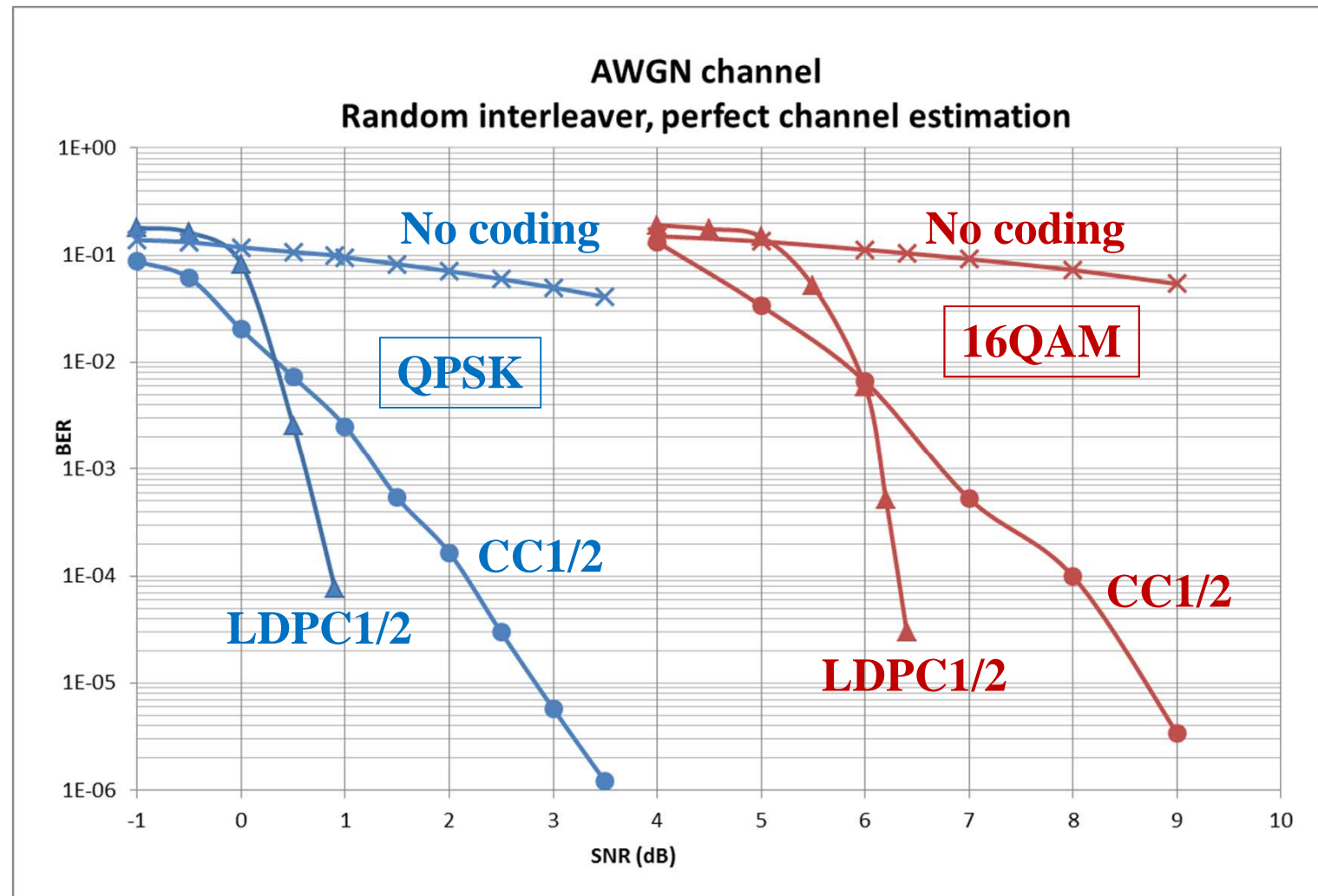
$$H(3/L) = \sqrt{1 - H^2(1/L)} = 0.235147$$

$$H(k/L) = 0 \quad ; \quad 4 \leq k \leq L-1$$



[Phy09] M.G. Bellanger et al, « D5.1: prototype filter and structure optimization », FP7 ICT-PHYDYAS, 01/2009

BER performance. Efficiency of LDPC



Conclusion

- ➔ In this presentation, some link level simulation have been presented for an FBMC PHY
- ➔ We proposed a frame structure based on a preamble and a payload
- ➔ A flexible outer coder strategy is proposed for flexible rate