

# PC37.016 WG, Standard for AC High Voltage Circuit Switchers Rated 15.5 kV (HVCB)

October 09, 2023 – San Diego, CA

---

**Chair:** Neil McCord (Consultant)

**Secretary:** Luke Collette (Utility)

## Meeting Minutes

### 1. Call to order and introduction:

The PC37.016 WG IEEE Standard for AC High Voltage Circuit Switchers Rated 15.5 kV met on Monday, October 09, 2023, at 3:45 P.M. Neil McCord, Working Group Chair, presided over the meeting.

### 2. Introduction of Members and Guests

Roster distributed and attendance recorded (attendance sheet attached to MOM).  
57 in attendance with 16 of 22 members (73%) present. Quorum met.

### 3. Review of Copyright, Patent, and Behavior/Ethics Slides & Call for Patents

Chair called for any potential Patent claims. No Patent claims identified.

### 4. Review Agenda & Discussion Membership Responsibilities:

Chair presented the agenda. Attendance sheet was circulated. Chair reviewed WG membership guidelines and asked for a volunteer to be Vice-Chair of the Working Group.

Volunteer: Sudarshan Byreddy volunteered to be Vice-Chair of the Working Group.

### 5. Presentation by Chair of the Draft Document

Reviewed the current draft document and with discussion on the following items:

Terminology – “Breaking” vs. “Interrupting”

Varying preference among the Working Group in using “Breaking” vs. “Interrupting.” The decision was made to use “Interrupting” in the document to be consistent with IEEE Std C37.100.5 definitions. Comment was made that IEEE Std C37.100.5 needs added to the references.

Terminology – “Primary Bus Fault” vs. “Terminal Fault” vs “Short-Circuit Fault”

Varying opinions on whether TRV is a “rating” or a “parameter” to prove a short-circuit rating. The decision was made to use “Terminal Fault” in the document. A question was raised as to whether the Terminal Fault test duties cover circuit switcher applications, even when the circuit switcher is applied outside of a substation at the high-side of a transformer.

Working Group Chair requested volunteers to be on Working Group by a show of hands. Attendance list marked with a check mark by names of attendees requesting membership.

The TRV section in the draft was reviewed with the Working Group. The text in 5.13 (TRV related to the rated short-circuit breaking current) of the draft was modified to remove a lot of the information and instead refer to IEEE Std C37.04. Tables added for TRV to include T100 & T60 from IEEE Std C37.04 and TLF1 & TLF2 from IEEE Std C37.06.1.

A comment was raised whether it was valid to use the TLF2 test duty to cover the T30 test duty since the peak of T30 is higher than TLF2. A comment was made that some use the peak of T30 and the rate-of-rise from TLF2 when performing testing.

The following group volunteered to investigate the TRV ratings to make a recommendation at the next WG meeting for what to use for the TLF2/T30 test duty.

- Jan Weisker
- Kirk Smith
- Neil McCord
- Carl Shuetz
- Chunming Ma
- Victor Savulyak
- Fernando Ordein

**6. Next meeting:**

Virtual – January 2024  
In-Person – Spring 2024

January 2024 – Virtual (Exact date TBD)  
March 31 - April 4, 2024 – Westin Beach, Ft. Lauderdale, FL

**7. Meeting Adjourned by Chair: 5:33 PM**

Submitted by:

Neil A. McCord  
WG Chair, C37.016  
Standard for AC High Voltage Circuit Switchers Rated 15.5 kV

# PC37.016™/D1

## IEEE Standard for AC High Voltage Circuit Switchers Rated 15.5 kV through 245 kV

Sponsor

**Switchgear Committee**  
of the  
**IEEE Power and Energy Society**

Approved <Date Approved>

**IEEE-SA Standards Board**

Copyright © 2022 by The Institute of Electrical and Electronics Engineers, Inc.  
Three Park Avenue  
New York, New York 10016-5997, USA

All rights reserved.

This document is an unapproved draft of a proposed IEEE Standard. As such, this document is subject to change. USE AT YOUR OWN RISK! IEEE copyright statements SHALL NOT BE REMOVED from draft or approved IEEE standards, or modified in any way. Because this is an unapproved draft, this document must not be utilized for any conformance/compliance purposes. Permission is hereby granted for officers from each IEEE Standards Working Group or Committee to reproduce the draft document developed by that Working Group for purposes of international standardization consideration. IEEE Standards Department must be informed of the submission for consideration prior to any reproduction for international standardization consideration ([stds.ipr@ieee.org](mailto:stds.ipr@ieee.org)). Prior to adoption of this document, in whole or in part, by another standards development organization, permission must first be obtained from the IEEE Standards Department ([stds.ipr@ieee.org](mailto:stds.ipr@ieee.org)). When requesting permission, IEEE Standards Department will require a copy of the standard development organization's document highlighting the use of IEEE content. Other entities seeking permission to reproduce this document, in whole or in part, must also obtain permission from the IEEE Standards Department.

IEEE Standards Department  
445 Hoes Lane  
Piscataway, NJ 08854, USA

**Abstract:** This standard is applicable to ac circuit switchers designed for outdoor installation and for rated power frequencies of 50 Hz and 60 Hz and rated maximum voltages of 15.5 kV through 245 kV. It is applicable only to three-pole circuit switchers for use in three-phase systems. This standard is also applicable to the operating devices of circuit switchers and to their auxiliary equipment. Included in this document are the normal and special service conditions under which the ratings are based and requirements for design and construction, which include those for interrupting media, stored energy systems, operating characteristics, mechanical loading and operation capabilities, electrical insulation, and auxiliary devices. The rating structure establishes the basis for all assigned ratings, including continuous current, dielectric withstand voltages, ~~primary-bus fault breaking~~short-circuit breaking current, transformer-limited fault breaking current, short-circuit making current, transient recovery voltages, and capacitor switching, plus associated capabilities such as mechanical endurance and operation under high- and low-temperature environmental extremes. Routine (production) tests are defined and requirements for their execution documented.

**Keywords:** circuit switcher, coordinated disconnect, design tests, IEEE C37.016, interrupter, operating mechanism, primary-bus fault, production tests, ratings, service conditions, stored energy, transformer-limited fault, transient recovery voltage

---

The Institute of Electrical and Electronics Engineers, Inc.  
3 Park Avenue, New York, NY 10016-5997, USA

Copyright © 2022 by The Institute of Electrical and Electronics Engineers, Inc.  
All rights reserved. Published <Date Published>. Printed in the United States of America.

IEEE is a registered trademark in the U.S. Patent & Trademark Office, owned by The Institute of Electrical and Electronics Engineers, Incorporated.

PDF: ISBN 978-0-XXXX-XXXX-X STDXXXXX  
Print: ISBN 978-0-XXXX-XXXX-X STDPDXXXXX

*IEEE prohibits discrimination, harassment, and bullying.*

For more information, visit <http://www.ieee.org/web/aboutus/whatis/policies/p9-26.html>

*No part of this publication may be reproduced in any form, in an electronic retrieval system or otherwise, without the prior written permission of the publisher.*

## **Important Notices and Disclaimers Concerning IEEE Standards Documents**

IEEE documents are made available for use subject to important notices and legal disclaimers. These notices and disclaimers, or a reference to this page, appear in all standards and may be found under the heading “Important Notices and Disclaimers Concerning IEEE Standards Documents.” They can also be obtained on request from IEEE or viewed at <http://standards.ieee.org/IPR/disclaimers.html>.

## **Notice and Disclaimer of Liability Concerning the Use of IEEE Standards Documents**

IEEE Standards documents (standards, recommended practices, and guides), both full-use and trial-use, are developed within IEEE Societies and the Standards Coordinating Committees of the IEEE Standards Association (“IEEE-SA”) Standards Board. IEEE (“the Institute”) develops its standards through a consensus development process, approved by the American National Standards Institute (“ANSI”), which brings together volunteers representing varied viewpoints and interests to achieve the final product. Volunteers are not necessarily members of the Institute and participate without compensation from IEEE. While IEEE administers the process and establishes rules to promote fairness in the consensus development process, IEEE does not independently evaluate, test, or verify the accuracy of any of the information or the soundness of any judgments contained in its standards.

IEEE does not warrant or represent the accuracy or content of the material contained in its standards, and expressly disclaims all warranties (express, implied and statutory) not included in this or any other document relating to the standard, including, but not limited to, the warranties of: merchantability; fitness for a particular purpose; non-infringement; and quality, accuracy, effectiveness, currency, or completeness of material. In addition, IEEE disclaims any and all conditions relating to: results; and workmanlike effort. IEEE standards documents are supplied “AS IS” and “WITH ALL FAULTS.”

Use of an IEEE standard is wholly voluntary. The existence of an IEEE standard does not imply that there are no other ways to produce, test, measure, purchase, market, or provide other goods and services related to the scope of the IEEE standard. Furthermore, the viewpoint expressed at the time a standard is approved and issued is subject to change brought about through developments in the state of the art and comments received from users of the standard.

In publishing and making its standards available, IEEE is not suggesting or rendering professional or other services for, or on behalf of, any person or entity nor is IEEE undertaking to perform any duty owed by any other person or entity to another. Any person utilizing any IEEE Standards document, should rely upon his or her own independent judgment in the exercise of reasonable care in any given circumstances or, as appropriate, seek the advice of a competent professional in determining the appropriateness of a given IEEE standard.

IN NO EVENT SHALL IEEE BE LIABLE FOR ANY DIRECT, INDIRECT, INCIDENTAL, SPECIAL, EXEMPLARY, OR CONSEQUENTIAL DAMAGES (INCLUDING, BUT NOT LIMITED TO: PROCUREMENT OF SUBSTITUTE GOODS OR SERVICES; LOSS OF USE, DATA, OR PROFITS; OR BUSINESS INTERRUPTION) HOWEVER CAUSED AND ON ANY THEORY OF LIABILITY, WHETHER IN CONTRACT, STRICT LIABILITY, OR TORT (INCLUDING NEGLIGENCE OR OTHERWISE) ARISING IN ANY WAY OUT OF THE PUBLICATION, USE OF, OR RELIANCE UPON ANY STANDARD, EVEN IF ADVISED OF THE POSSIBILITY OF SUCH DAMAGE AND REGARDLESS OF WHETHER SUCH DAMAGE WAS FORESEEABLE.

## **Translations**

The IEEE consensus development process involves the review of documents in English only. In the event that an IEEE standard is translated, only the English version published by IEEE should be considered the approved IEEE standard.

## Official statements

A statement, written or oral, that is not processed in accordance with the IEEE-SA Standards Board Operations Manual shall not be considered or inferred to be the official position of IEEE or any of its committees and shall not be considered to be, or be relied upon as, a formal position of IEEE. At lectures, symposia, seminars, or educational courses, an individual presenting information on IEEE standards shall make it clear that his or her views should be considered the personal views of that individual rather than the formal position of IEEE.

## Comments on standards

Comments for revision of IEEE Standards documents are welcome from any interested party, regardless of membership affiliation with IEEE. However, IEEE does not provide consulting information or advice pertaining to IEEE Standards documents. Suggestions for changes in documents should be in the form of a proposed change of text, together with appropriate supporting comments. Since IEEE standards represent a consensus of concerned interests, it is important that any responses to comments and questions also receive the concurrence of a balance of interests. For this reason, IEEE and the members of its societies and Standards Coordinating Committees are not able to provide an instant response to comments or questions except in those cases where the matter has previously been addressed. For the same reason, IEEE does not respond to interpretation requests. Any person who would like to participate in revisions to an IEEE standard is welcome to join the relevant IEEE working group.

Comments on standards should be submitted to the following address:

Secretary, IEEE-SA Standards Board  
445 Hoes Lane  
Piscataway, NJ 08854 USA

## Laws and regulations

Users of IEEE Standards documents should consult all applicable laws and regulations. Compliance with the provisions of any IEEE Standards document does not imply compliance to any applicable regulatory requirements. Implementers of the standard are responsible for observing or referring to the applicable regulatory requirements. IEEE does not, by the publication of its standards, intend to urge action that is not in compliance with applicable laws, and these documents may not be construed as doing so.

## Copyrights

IEEE draft and approved standards are copyrighted by IEEE under U.S. and international copyright laws. They are made available by IEEE and are adopted for a wide variety of both public and private uses. These include both use, by reference, in laws and regulations, and use in private self-regulation, standardization, and the promotion of engineering practices and methods. By making these documents available for use and adoption by public authorities and private users, IEEE does not waive any rights in copyright to the documents.

## Photocopies

Subject to payment of the appropriate fee, IEEE will grant users a limited, non-exclusive license to photocopy portions of any individual standard for company or organizational internal use or individual, non-commercial use only. To arrange for payment of licensing fees, please contact Copyright Clearance Center, Customer Service, 222 Rosewood Drive, Danvers, MA 01923 USA; +1 978 750 8400. Permission to photocopy portions of any individual standard for educational classroom use can also be obtained through the Copyright Clearance Center.

## Updating of IEEE Standards documents

Users of IEEE Standards documents should be aware that these documents may be superseded at any time by the issuance of new editions or may be amended from time to time through the issuance of amendments, corrigenda, or errata. An official IEEE document at any point in time consists of the current edition of the document together with any amendments, corrigenda, or errata then in effect.

Every IEEE standard is subjected to review at least every ten years. When a document is more than ten years old and has not undergone a revision process, it is reasonable to conclude that its contents, although still of some value, do not wholly reflect the present state of the art. Users are cautioned to check to determine that they have the latest edition of any IEEE standard.

In order to determine whether a given document is the current edition and whether it has been amended through the issuance of amendments, corrigenda, or errata, visit the IEEE-SA Website at <http://ieeexplore.ieee.org/xpl/standards.jsp> or contact IEEE at the address listed previously. For more information about the IEEE-SA or IEEE's standards development process, visit the IEEE-SA Website at <http://standards.ieee.org>.

## **Errata**

Errata, if any, for all IEEE standards can be accessed on the IEEE-SA Website at the following URL: <http://standards.ieee.org/findstds/errata/index.html>. Users are encouraged to check this URL for errata periodically.

## **Patents**

Attention is called to the possibility that implementation of this standard may require use of subject matter covered by patent rights. By publication of this standard, no position is taken by the IEEE with respect to the existence or validity of any patent rights in connection therewith. If a patent holder or patent applicant has filed a statement of assurance via an Accepted Letter of Assurance, then the statement is listed on the IEEE-SA Website at <http://standards.ieee.org/about/sasb/patcom/patents.html>. Letters of Assurance may indicate whether the Submitter is willing or unwilling to grant licenses under patent rights without compensation or under reasonable rates, with reasonable terms and conditions that are demonstrably free of any unfair discrimination to applicants desiring to obtain such licenses.

Essential Patent Claims may exist for which a Letter of Assurance has not been received. The IEEE is not responsible for identifying Essential Patent Claims for which a license may be required, for conducting inquiries into the legal validity or scope of Patents Claims, or determining whether any licensing terms or conditions provided in connection with submission of a Letter of Assurance, if any, or in any licensing agreements are reasonable or non-discriminatory. Users of this standard are expressly advised that determination of the validity of any patent rights, and the risk of infringement of such rights, is entirely their own responsibility. Further information may be obtained from the IEEE Standards Association.

## Participants

At the time this draft standard was completed, the IEEE Standard for AC High Voltage Circuit Switchers rated 15.5 kV through 245 kV Working Group had the following membership:

**Neil Mc-Cord, *Chair***  
**Lucas Collette, *Secretary***

Anne Bosma  
Michael Colesanti  
Patrick Di Lillo  
Raymond Frazier  
Victor Hermosillo  
Roy Hutchins  
Todd Irwin  
Joseph Jasinski  
Joe Kausek

Amir Khosravi  
Scott Lanning  
Wangpei Li  
Hua Ying Liu  
Neil McCord  
Thomas Pellerito  
Alan Peterson  
John Phouminh  
Brian Roberts

Jon Rogers  
Carl Schuetz  
Devki Sharma  
Robert Smith  
Don Steigerwalt  
Jean-Marc Torres  
Vernon Toups  
Wei Zhang

The following members of the individual balloting committee voted on this standard. Balloters may have voted for approval, disapproval, or abstention.

Roy Alexander  
Saleman Alibhay  
Thomas Barnes  
W.J. (Bill) Bergman  
Steven Bezner  
Gustavo Brunello  
Paul Cardinal  
Stephen Conrad  
Douglas J Edwards  
Jorge Fernandez Daher  
Rostyslaw Fostiak  
Carl Fredericks  
Kamal Garg  
Jalal Gohari  
Stephen Grier  
John Harley  
Werner Hoelzl  
Philip Hopkinson

Todd Irwin  
Richard Jackson  
Laszlo Kadar  
Peter Kelly  
Tanuj Khandelwal  
James Kinney  
Chung-Yiu Lam  
Scott Lanning  
An Le  
Ting Li  
Neil Mc Cord  
Jeffrey McElroy  
Ali Naderian Jahromi  
Dennis Neitzel  
Jeffrey Nelson  
James Niemira  
Joe Nims  
Sivaraman P

Bansi Patel  
Pathik Patel  
Moises Ramos  
Charles Rogers  
Zoltan Roman  
Bartien Sayogo  
Oleksandr Sergeyenko  
Michael Skidmore  
Gary Smullin  
David Tepen  
John Vergis  
John Wang  
Lanyi Wang  
Keith Waters  
Kenneth White  
Richard York  
Kris Zibert

When the IEEE-SA Standards Board approved this standard on <Date Approved>, it had the following membership:

**Jean-Philippe Faure, *Chair***  
**Gary Hoffman, *Vice Chair***  
**John D. Kulick, *Past Chair***  
**Konstantinos Karachalios, *Secretary***

Ted Burse  
Guido R. Hiertz  
Christel Hunter  
Joseph L. Koepfinger\*  
Thomas Koshy  
Hung Ling  
Dong Liu

Xiaohui Liu  
Kevin Lu  
Daleep Mohla  
Andrew Myles  
Paul Nikolich  
Ronald C. Petersen  
Annette D. Reilly

Robby Robson  
Dorothy Stanley  
Mehmet Ulema  
Phil Wennblom  
Philip Winston



Howard Wolfman

Jingyi Zhou

\*Member Emeritus

## Introduction

This introduction is not part of PC37.016/D1, IEEE Standard for AC High Voltage Circuit Switchers Rated 15.5 kV through 245 kV.

This standard is being revised to remove references to IEC documents and to, where appropriate, use references to IEEE documents. Since the first release of this standard in 2006, there have not been significant technical issues with the standard, so the technical content is intended to be consistent with the 2006 version.

## Contents

1. Overview .....	1
1.1 Scope .....	1
2. Normative references .....	1
3. Definitions .....	2
4. Normal and special service conditions .....	3
4.1 Normal service conditions .....	3
4.2 Special service conditions .....	3
5. Ratings .....	4
5.1 General .....	4
5.2 Rated maximum voltage ( $U_r$ ) .....	4
5.3 Rated insulation level .....	5
5.4 Rated power frequency ( $f_r$ ) .....	5
5.5 Rated continuous current ( $I_r$ ) .....	5
5.6 Rated short-time withstand current ( $I_k$ ) .....	6
5.7 Rated peak withstand current ( $I_p$ ) .....	6
5.8 Rated duration of short-circuit ( $t_k$ ) .....	6
5.9 Rated control voltage of operating devices and of auxiliary and control circuits ( $U_a$ ) .....	6
5.10 Rated control frequency of operating devices and auxiliary circuits .....	6
5.11 Rated pressures of compressed gas supply for insulation, operation, and/or interruption .....	6
5.12 Rated short-circuit breaking current ( $I_{pbf}$ ) .....	6
5.13 TRV related to the rated short-circuit breaking current .....	9
Subclause 5.7.2.1 of IEEE Std C37.04-2018 is applicable .....	10
5.14 Rated transformer-limited fault breaking current ( $I_{\text{tr}}$ ) .....	15
5.15 Rated TRV related to the transformer-limited fault breaking current .....	16
5.16 Rated short-circuit making current ( $I_m$ ) .....	17
5.17 Rated operating sequence .....	18
5.18 Rated capacitive switching currents .....	18
5.19 Rated time quantities .....	19
5.20 Mechanical operations endurance .....	21
5.21 Rated static terminal load .....	21
5.22 Rated ice-breaking ability .....	23
6. Design and construction (Let's double check this later) .....	23
6.1 Requirements for liquids in circuit switchers .....	23
6.2 Requirements for gases in circuit switchers .....	23
6.3 Grounding of circuit switchers .....	23
6.4 Auxiliary and control equipment and circuits .....	23
6.5 Dependent power operation .....	23
6.6 Stored energy closing .....	24
6.7 Manually operated releases .....	24
6.8 Operation of releases .....	24
6.9 Nameplates .....	24
6.10 Locking devices .....	26
6.11 Position indication .....	27
6.12 Degrees of protection provided by enclosures .....	27
6.13 Creepage distances for outdoor insulators .....	27
6.14 Gas and vacuum tightness .....	27
6.15 Tightness for liquid systems .....	27

6.16 Flammability .....	27
6.17 Electromagnetic compatibility (EMC).....	27
6.18 X-ray emission .....	27
6.19 Pressurized components .....	27
6.20 Pressurized systems.....	27
6.21 Low- and high-pressure interlocking and monitoring devices.....	28
6.22 Disconnect operation.....	28
<b>7. Design (type) tests .....</b>	<b>28</b>
7.1 General .....	28
7.2 Dielectric tests .....	29
7.3 Radio interference voltage (R.I.V.) tests.....	32
7.4 Resistance measurement .....	32
7.5 Continuous current tests.....	32
7.6 Short-time withstand current (STC) and peak withstand current tests.....	32
7.7 Verification of the protection provided by enclosures .....	32
7.8 Tightness tests .....	32
7.9 Electromagnetic compatibility tests .....	33
7.10 X-radiation procedure for vacuum interrupters.....	33
7.11 Mechanical and environmental tests .....	33
7.12 Ice-loading test .....	38
7.13 Static terminal load test .....	39
7.14 Short-circuit current making and breaking tests .....	39
7.15 Capacitor switching.....	45
7.16 Design tests on pressurized components.....	45
<b>8. Production tests .....</b>	<b>46</b>
8.1 General .....	46
8.2 Dielectric test on the main circuit .....	46
8.3 Inspection and testing of auxiliary and control circuits .....	46
8.4 Measurement of resistance of main circuit .....	47
8.5 Tightness test.....	47
8.6 Design and visual checks .....	47
8.7 Mechanical operation tests.....	47
8.8 Timing tests .....	47
8.9 Gas system pressure tests .....	47
8.10 Vacuum integrity tests.....	47
<b>1. Overview .....</b>	<b>1</b>
1.1 Scope.....	1
<b>2. Normative references.....</b>	<b>1</b>
<b>3. Definitions .....</b>	<b>2</b>
<b>4. Normal and special service conditions .....</b>	<b>3</b>
4.1 Normal service conditions.....	3
4.2 Special service conditions .....	3
<b>5. Ratings .....</b>	<b>4</b>
5.1 General.....	4
5.2 Rated maximum voltage ( $U_r$ ).....	4
5.3 Rated insulation level.....	5
5.4 Rated power frequency ( $f_r$ ).....	5
5.5 Rated continuous current ( $I_r$ ).....	5
5.6 Rated short-time withstand current ( $I_k$ ).....	6

5.7 Rated peak withstand current ( $I_p$ ).....	6
5.8 Rated duration of short-circuit ( $t_k$ ).....	6
5.9 Rated control voltage of operating devices and of auxiliary and control circuits ( $U_a$ ).....	6
5.10 Rated control frequency of operating devices and auxiliary circuits.....	6
5.11 Rated pressures of compressed gas supply for insulation, operation, and/or interruption.....	6
5.12 Rated primary-bus fault breaking current ( $I_{pbf}$ ).....	6
5.13 TRV related to the rated primary-bus fault breaking current.....	9
5.14 Rated transformer-limited fault breaking current ( $I_{tf}$ ).....	14
5.15 Rated TRV related to the transformer-limited fault breaking current.....	14
5.16 Rated short-circuit making current ( $I_m$ ).....	16
5.17 Rated operating sequence.....	16
5.18 Rated capacitive switching currents.....	16
5.19 Rated time quantities.....	18
5.20 Mechanical operations endurance.....	20
5.21 Rated static terminal load.....	20
5.22 Rated ice-breaking ability.....	22
6. Design and construction.....	22
6.1 Requirements for liquids in circuit switchers.....	22
6.2 Requirements for gases in circuit switchers.....	22
6.3 Grounding of circuit switchers.....	22
6.4 Auxiliary and control equipment and circuits.....	22
6.5 Dependent power operation.....	23
6.6 Stored energy closing.....	23
6.7 Manually operated releases.....	23
6.8 Operation of releases.....	23
6.9 Nameplates.....	24
6.10 Locking devices.....	25
6.11 Position indication.....	26
6.12 Degrees of protection provided by enclosures.....	26
6.13 Creepage distances for outdoor insulators.....	26
6.14 Gas and vacuum tightness.....	26
6.15 Tightness for liquid systems.....	26
6.16 Flammability.....	26
6.17 Electromagnetic compatibility (EMC).....	26
6.18 X-ray emission.....	26
6.19 Pressurized components.....	26
6.20 Pressurized systems.....	26
6.21 Low- and high-pressure interlocking and monitoring devices.....	27
6.22 Disconnect operation.....	27
7. Design (type) tests.....	27
7.1 General.....	27
7.2 Dielectric tests.....	28
7.3 Radio interference voltage (R.I.V.) tests.....	32
7.4 Resistance measurement.....	32
7.5 Continuous current tests.....	32
7.6 Short-time withstand current and peak withstand current tests.....	32
7.7 Verification of the protection provided by enclosures.....	32
7.8 Tightness tests.....	32
7.9 Electromagnetic compatibility tests.....	32
7.10 X-radiation procedure for vacuum interrupters.....	33
7.11 Mechanical and environmental tests.....	33
7.12 Ice-loading test.....	39
7.13 Static terminal load test.....	40
7.14 Short-circuit current making and breaking tests.....	40

7.15 Capacitor switching.....	45
7.16 Design tests on pressurized components.....	46
8. Production tests .....	46
8.1 General .....	46
8.2 Dielectric test on the main circuit .....	47
8.3 Inspection and testing of auxiliary and control circuits .....	47
8.4 Measurement of resistance of main circuit .....	47
8.5 Tightness test.....	47
8.6 Design and visual checks .....	47
8.7 Mechanical operation tests.....	47
8.8 Timing tests.....	47
8.9 Gas system pressure tests.....	47
8.10 Vacuum integrity tests.....	48

# IEEE Standard for AC High Voltage Circuit Switchers Rated 15.5 kV through 245 kV

## 1. Overview

### 1.1 Scope

This standard is applicable to ac circuit switchers designed for outdoor installation and for rated power frequencies of 50 Hz and 60 Hz and rated maximum voltages of 15.5 kV through 245 kV. It is applicable only to three-pole circuit switchers for use in three-phase systems. This standard is also applicable to the operating devices of circuit switchers and to their auxiliary equipment. It includes the basis of rating, preferred ratings and test procedures for circuit switchers.

## 2. Normative references

The following referenced documents are indispensable for the application of this document (i.e., they must be understood and used, so each referenced document is cited in text and its relationship to this document is explained). For dated references, only the edition cited applies. For undated references, the latest edition of the referenced document (including any amendments or corrigenda) applies.

IEC 60507:2013, Artificial pollution tests on high-voltage ceramic and glass insulators to be used on a.c. systems.<sup>1</sup>

IEC 60815-1:2008, Selection and dimensioning of high-voltage insulators intended for use in polluted conditions—Part 1: Definitions, information and general principles.

IEEE Std 4<sup>TM</sup>-2013, IEEE Standard for High-Voltage Testing Techniques.<sup>2, 3</sup>

IEEE Std C37.30.1<sup>TM</sup>-2011, IEEE Standard Requirements for AC High-Voltage Air Switches Rated Above 1000 V.

---

<sup>1</sup> IEC publications are available from the Sales Department of the International Electrotechnical Commission, Case Postale 131, 3, rue de Varembe, CH-1211, Genève 20, Switzerland/Suisse (<http://www.iec.ch/>). IEC publications are also available in the United States from the Sales Department, American National Standards Institute, 25 West 43rd Street, 4th Floor, New York, NY 10036, USA.

<sup>2</sup> IEEE publications are available from the Institute of Electrical and Electronics Engineers, 445 Hoes Lane, Piscataway, NJ 08854, USA (<http://standards.ieee.org/>).

<sup>3</sup> The IEEE standards or products referred to in this clause are trademarks of the Institute of Electrical and Electronics Engineers, Inc.

IEEE Std C37.04™-2018, IEEE Standard for Ratings and Requirements for AC High Voltage Circuit Breakers with Rated Maximum Voltages above 1000 V.<sup>4</sup>

[IEEE Std C37.06.1™-2017, IEEE Recommended Practice for Preferred Ratings High Voltage AC Circuit Breakers Designated Definite Purpose for Fast Transient Recovery Voltage Rise Times](#)

IEEE Std C37.09™-2018, IEEE Standard Test Procedures for AC High-Voltage Circuit Breakers with Rated Maximum Voltage above 1000 V.

IEEE Std C37.100.1™-2018, IEEE Standard of Common Requirements for AC High-Voltage Power Switchgear Rated Above 1000 V.

IEEE Std C37.100.2™-2018, IEEE Standard for Common Requirements for Testing of AC Capacitance Current Switching Devices over 1000 V.

NEMA CC 1-2009 (R2015), Electric Power Connectors for Substations.<sup>5</sup>

### 3. Definitions

For the purposes of this document, the following terms and definitions apply. The *IEEE Standards Dictionary Online* should be consulted for terms not defined in this clause.<sup>6</sup>

**circuit switcher:** A mechanical switching device with an integral interrupter, suitable for making, carrying, and ~~interrupting~~breaking currents under normal circuit conditions. It is also suitable for ~~interrupting~~breaking specified primary-bus fault current and transformer-limited fault current that may be less than its rated short-circuit making current and rated short-time withstand current.

**circuit switcher with isolating disconnect:** A circuit switcher with an integrally mounted, isolating disconnect to provide a visible air gap. The disconnect operation and open-close position may be independent of interrupter operation and position or coordinated with the interrupter operation and position.

NOTE—A circuit switcher with an isolating disconnect is considered an integrated device including the interrupter and the disconnect. It is referred to as a circuit switcher, and the rating and test apply to the entire device.

**coordinated disconnect operation:** A sequence of operation of a circuit switcher with an isolating disconnect where the disconnect automatically opens after the interrupter opens. Automatic closing of the disconnect may occur before or after the interrupter closes.

**independent disconnect operation:** A sequence of operation of a circuit switcher with an isolating disconnect where the disconnect operation and position are independent of the interrupter operation and position.

**primary-bus fault current (PBF):** The fault current supplied by a system with single or multiple transmission lines connected between the source of the current and the interrupting device. This capability is tested by T100 and T60. Transformers may also be directly connected in parallel with the lines. See [Figure 1](#).

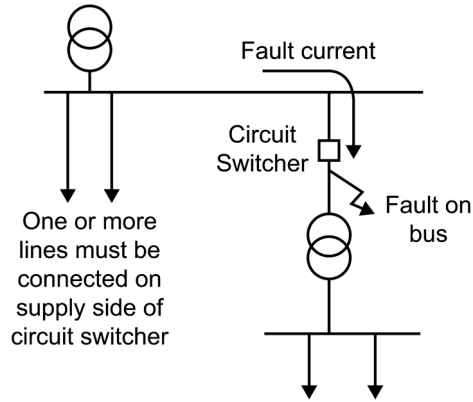
NOTE—The significant system capacitances reduce the rate of rise of the transient recovery voltage (TRV) as compared to the rate of rise of the TRV related to the transformer-limited fault current rating.

<sup>4</sup>Numbers preceded by P are IEEE authorized standards projects that were not approved by The IEEE-SA Standards Board at the time this publication went to Sponsor ballot/press. For information about obtaining drafts, contact the IEEE.

<sup>5</sup>NEMA publications are available from Global Engineering Documents, 15 Inverness Way East, Englewood, Colorado 80112, USA (<http://global.ihs.com/>).

<sup>6</sup>IEEE Standards Dictionary Online subscription is available at: <http://ieeexplore.ieee.org/xpls/dictionary.jsp>.

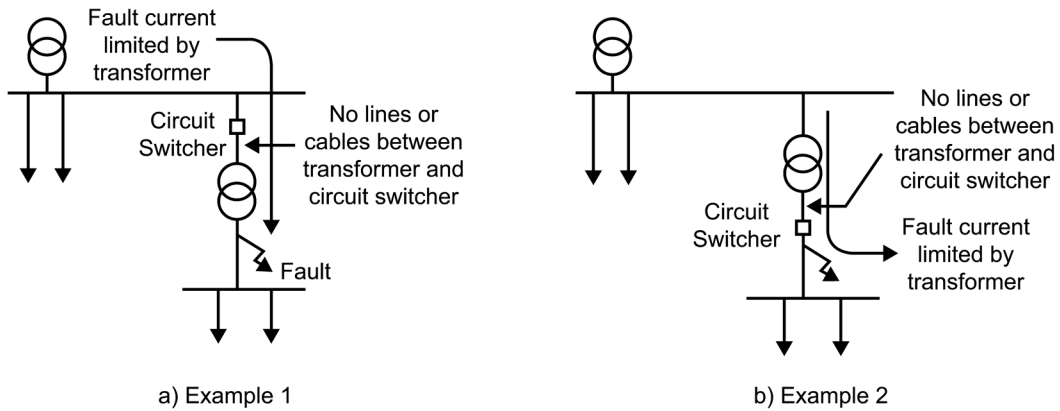




**Figure 1 —Diagram of primary-bus faults/short-circuit faults**

**transformer-limited fault current (TLF):** The fault current supplied by or limited by a transformer directly connected to the interrupting device without transmission lines or cables connected in parallel with the transformer. See Figure 2.

NOTE—The minimal transformer capacitance results in a very high rate of rise of transient recovery voltage (TRV).



**Figure 2 —Diagrams of transformer-limited faults**

## 4. Normal and special service conditions

### 4.1 Normal service conditions

Subclause 3.2.2 of IEEE Std C37.100.1-2018 is applicable with the following substitution for item e):

Ice coating does not exceed 9.5 mm.

### 4.2 Special service conditions

Subclause 3.3 of IEEE Std C37.100.1-2018 is applicable.

## 5. Ratings

### 5.1 General

The characteristics of a circuit switcher, including its operating devices and auxiliary equipment, that shall be used to determine the ratings are the following:

a) Rated characteristics to be given for all circuit switchers are as follows:

- 1) Rated maximum voltage
- 2) Rated insulation ~~level~~capability
- 3) Rated power frequency
- ~~4)~~ 5) Rated continuous current
- ~~4)5)~~ 5)6) Rated short-circuit breaking current
- ~~5)6)~~ 6)7) Rated short-time withstand current
- ~~6)7)~~ 7)8) Rated peak withstand current
- ~~7)8)~~ 8)9) Rated duration of short circuit
- ~~8)9)~~ 9)10) Rated control voltage of closing and opening devices and of auxiliary circuits
- ~~9)10)~~ 10)11) Rated control frequency of closing and opening devices and of auxiliary circuits
- ~~10)11)~~ 11)12) Rated pressures of compressed gas supply for insulation, operation, and/or interruption
- ~~11)12)~~ 12)13) Rated primary-bus fault breaking current
- ~~12)13)~~ 13)14) Rated transient recovery voltage (TRV) for the rated primary-bus fault breaking current
- ~~13)14)~~ 14)15) Rated transformer-limited fault breaking current
- ~~14)15)~~ 15)16) Rated TRV for the rated transformer-limited fault breaking current
- ~~15)16)~~ 16)17) Rated short-circuit making current
- ~~16)17)~~ 17)18) Rated operating sequence
- ~~17)18)~~ 18)19) Rated time quantities
- ~~18)19)~~ 19)20) Rated static terminal load

b) Rated characteristics to be given on request are as follows:

- 1) Rated line-charging switching current
- 2) Rated cable-charging switching current
- 3) Rated shunt capacitor bank switching current
- 4) Rated peak capacitive inrush current

NOTE—If a circuit-switcher is assigned a line-charging current switching rating and is to also be used to interrupt faults on the line, then a short-line fault rating should be assigned and tested for per applicable clauses of IEEE Std C37.04-2018, and IEEE Std C37.09-2018.

### 5.2 Rated maximum voltage ( $U_r$ )

The rated maximum voltage indicates the upper limit of the highest power-frequency voltage of systems for which the circuit switcher is intended. Standard values of rated voltages are given in [Table 1](#).

**Table 1 —Preferred rated maximum voltages and rated insulation**

Rated maximum voltage (kV, rms)	Rated power-frequency withstand voltage (kV, rms) <sup>a</sup>		Rated lightning impulse withstand voltage (kV, peak)		Chopped wave <u>impulse</u> withstand voltage <sup>c</sup> (optional) (kV, peak)
	Common value	Across the isolating distance <sup>b</sup>	Common value	Across the isolating distance <sup>b</sup>	
15.5	30	33	95	105	125
	45	50	110	125	140
25.8	45	50	125	140	160
	60	66	150	165	195
38	60	66	150	165	195
	80	88	200	220	260
52	100	110	250	275	325
72.5	140	154	350	385	450
100	150	175	380	420	490
	185	205	450	495	580
123	185	205	450	495	580
	230	255	550	605	710
145	230	255	550	605	710
	275	305	650	715	840
170	275	305	650	715	840
	325	360	750	825	970
245	350	385	900	990	1160
	460	505	1050	1155	1350

<sup>a</sup>These values are to be used for both the wet and dry test.

<sup>b</sup>Test voltages for isolating distances are applicable to the disconnect blade only, not the interrupter.

<sup>c</sup>Minimum time to sparkover for the chopped wave is 2 μsec.

### 5.3 Rated insulation level

The preferred rated insulation levels of the circuit switcher are given at the standard atmospheric conditions specified in IEEE Std 4-2013.

The “common values” as used in Table 1 apply to phase-to-ground, between phases, and across the open circuit switcher interrupter. The withstand voltage values “across the isolating distance” are valid only for the disconnect blade of circuit switchers that incorporate a disconnect blade. The chopped wave lightning impulse withstand voltage rating is an optional rating and must be specified by the user, if desired.

### 5.4 Rated power frequency ( $f_r$ )

Subclause 5.4 of IEEE Std C37.100.1-2018 is applicable.

### 5.5 Rated continuous current ( $I_r$ )

Subclause 5.5 of IEEE Std C37.100.1-2018 is applicable.

NOTE—Circuit switchers can switch loads up to the rated continuous current. No testing is required by this standard since demonstrations of the fault interruptingbreaking rating are more severe and demonstrate this capability.

## 5.6 Rated short-time withstand current ( $I_k$ )

Subclause 5.6 of IEEE Std C37.100.1-2018 is applicable with the following addition:

The rated short-time withstand current shall be equal to or greater than the larger of the rated ~~primary-bus fault breakingshort-circuit breaking~~ current or the corresponding symmetrical current associated with the rated short-circuit making current because of the way circuit switchers can be applied.

## 5.7 Rated peak withstand current ( $I_p$ )

Subclause 5.7 of IEEE Std C37.100.1-2018 is applicable.

## 5.8 Rated duration of short-circuit ( $t_k$ )

Subclause 5.8 of IEEE Std C37.100.1-2018 is applicable.

## 5.9 Rated control voltage of operating devices and of auxiliary and control circuits ( $U_a$ )

Subclause 6.7 of IEEE Std C37.04-2018 is applicable.

## 5.10 Rated control frequency of operating devices and auxiliary circuits

Subclause 5.10 of IEEE Std C37.100.1-2018 is applicable.

## 5.11 Rated pressures of compressed gas supply for insulation, operation, and/or interruption

Rated filling levels for insulation and/or operation, refers to the pressure in Pa (or density) or liquid mass assigned by the manufacturer referred to atmospheric air conditions of 20 °C and 101.3 kPa (absolute) at which the gas- or liquid-filled circuit switcher is filled before being put into service.

## 5.12 Rated ~~primary-bus~~short-circuit breaking fault breaking current ( $I_{\text{pbf}}$ )

The rated ~~primary-bus fault breakingshort-circuit breaking~~ current is the highest primary-bus fault current that the circuit switcher shall be capable of breaking under the conditions of use and behavior prescribed in this standard in a circuit having a power-frequency recovery voltage corresponding to the rated maximum voltage of the circuit switcher and having a TRV equal to the value specified in 5.13.

The rated ~~primary-bus fault breakingshort-circuit breaking~~ current is characterized by two values:

- The rms value of its ac component
- The percentage dc component

NOTE—If the dc component does not exceed 20%, the rated short-circuit breaking current is characterized only by the rms value of its ac component.

For determination of the ac and dc components, see [Figure 3](#).

The circuit switcher shall be capable of breaking any ~~primary-bus fault breakingshort-circuit breaking~~ current up to its rated ~~primary-bus fault breakingshort-circuit breaking~~ current containing any ac component up to the rated value and, associated with it, any percentage dc component up to that specified under the conditions

mentioned in the first paragraph of this subclause. At voltages below and equal to the rated maximum voltage, a standard circuit switcher shall be capable of breaking its rated ~~primary-bus fault breakingshort-circuit breaking~~ current.

### 5.12.1 AC component of the rated ~~primary-bus fault breakingshort-circuit breaking~~ current

The preferred values of the ac component of the rated ~~primary-bus fault breakingshort-circuit breaking~~ current are selected from the R10 series.

### 5.12.2 DC component of the rated ~~primary-bus fault breakingshort-circuit breaking~~ current

The percentage dc component shall correspond to a time interval equal to the minimum opening time of the first opening pole ( $T_{op}$ ) of the circuit switcher plus an assumed relay time of one half-cycle of rated power frequency ( $T_r$ ).

The minimum opening time mentioned in the previous paragraph is specified by the manufacturer.

The percentage value of the dc component (% dc) can be derived from Figure 4 and is based on the time interval ( $T_{op} + T_r$ ) and the time constant  $\tau$  using the formula:

$$\%dc = 100 \times e^{-\frac{(T_{op} + T_r)}{\tau}}$$
$$\%dc = 100 \times e^{-\frac{(T_{op} + T_r)}{\tau}} \quad (1)$$

where

- $T_{op}$  is the minimum opening time of the first opening pole (ms)
- $T_r$  is the assumed relay time of one half-cycle of rated power frequency (ms)
- $\tau$  is the time constant (ms)

The graphs of the dc component against time given in Figure 4 are based on a standard time constant of 45 ms.



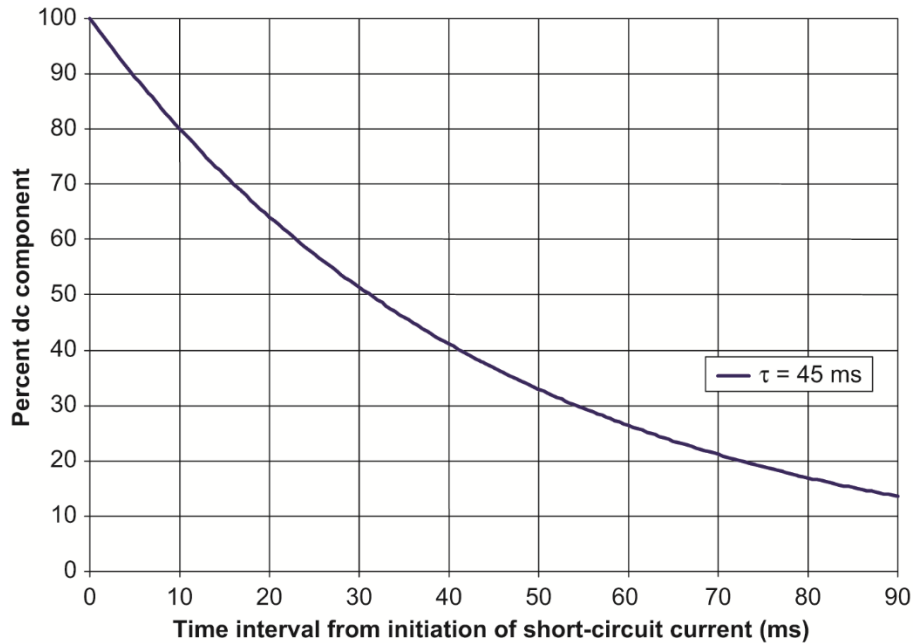


Figure 4 —Percentage dc component in relation to time interval ( $T_{op} + T_r$ ) for standard time constant  $\tau = 45$  ms

### 5.13 TRV related to the rated ~~primary-bus fault breaking~~short-circuit breaking current

#### 5.13.1 General

~~Subclause 5.7.1 of IEEE Std C37.04-2018 is applicable.~~

~~The TRV related to the rated primary-bus fault breaking current in accordance with 5.12 is the reference voltage that constitutes the limit of the prospective TRV of circuits that the circuit switcher shall be capable of withstanding under primary-bus fault conditions.~~

~~The waveform of TRVs varies according to the arrangement of actual circuits.~~

~~For primary-bus faults on systems with a voltage 100 kV and above and for system-fed fault currents that are relatively large in relation to the maximum primary-bus fault current at the point under consideration, the TRV contains first a period of high rate of rise, followed by a later period of lower rate of rise. This waveform is generally adequately represented by an envelope consisting of three line segments defined by means of four parameters.~~

~~For primary-bus faults on systems with a voltage less than 100 kV, the TRV approximates to a damped single-frequency oscillation. This waveform is adequately represented by an envelope consisting of two line segments defined by means of two parameters.~~

~~Such a representation in terms of two parameters is a special case of representation in terms of four parameters.~~

~~The influence of local capacitance on the source side of the circuit switcher produces a slower rate of rise of the voltage during the first few microseconds of the TRV. This is taken into account by introducing a time delay.~~

### 5.13.2 Representation Summary of TRV parameters

Subclause 5.7.2 of IEEE Std C37.04-2018 is applicable.

#### 5.13.2.1 Table of rated TRV parameters

Subclause 5.7.2.1 of IEEE Std C37.04-2018 is applicable.

The following parameters are used for the representation of TRV:

- a) Table 2 C37.04-2018 column 3 applies for voltages 100 kV and above  $k_{pp}=1.5$  Four-parameter reference line (see Figure 6):

$u_{1-}$  = first reference voltage (kV)  
 $t_{1-}$  = time to reach  $u_{1-}$  (μs)  
 $u_{e-}$  = second reference voltage (TRV peak value) (kV)  
 $t_{2-}$  = time to reach  $u_{e-}$  (μs)

TRV parameters are defined as a function of the rated maximum voltage ( $U_r$ ), the first pole-to-clear factor ( $k_{pp}$ ), and the amplitude factor ( $k_{af}$ ) as follows:

$$u_{1-} = 0.75 \times k_{pp} \times U_r \sqrt{\frac{2}{3}}$$

$t_{1-}$  is derived from  $u_{1-}$  and the specified value of the rate of rise  $u_{1-}/t_{1-} = RRRV$ .

$$u_{e-} = k_{af} \times k_{pp} \times U_r \sqrt{\frac{2}{3}}, \text{ where } k_{af} \text{ is equal to 1.4 for primary bus faults.}$$

$$t_{2-} = 4 t_{1-}$$

- b) Table 2 C37.04-2018 column 3 applies for voltages Two-parameter reference line for rated maximum voltages below 100 kV  $k_{pp}=1.5$  (class S2)(see Figure 5):

5.13.2.2  $u_{e-}$  = reference voltage (TRV peak value) (kV)  
 $t_{3-}$  = time to reach  $u_{e-}$  (μs)

TRV parameters are defined as a function of the rated maximum voltage ( $U_r$ ), the first pole-to-clear factor ( $k_{pp}$ ), and the amplitude factor ( $k_{af}$ ) as follows:

$$u_{e-} = k_{af} \times k_{pp} \times U_r \sqrt{\frac{2}{3}}, \text{ where } k_{af} = 1.54 \text{ and } k_{pp} = 1.5$$

$t_{3-}$  is derived from  $u_{e-}$  and the specified value of the rate of rise  $u_{e-}/t_{3-} = RRRV$ .

- c) Delay line of TRV (see Figure 5 and Figure 6):



|  ~~$t_d = \text{time delay } (\mu\text{s})$~~

$u'$  = reference voltage (kV)  
 $t'$  = time to reach  $u'$  ( $\mu$ s)

The delay line starts on the time axis at the specified time delay, runs parallel to the first section of the reference line of rated TRV, and terminates at the voltage  $u'$  (time coordinate  $t'$ ).

For rated maximum voltages below 100 kV:

$$t_d = 0.05 t_3$$

$$u' = u_0/3 \text{ and}$$

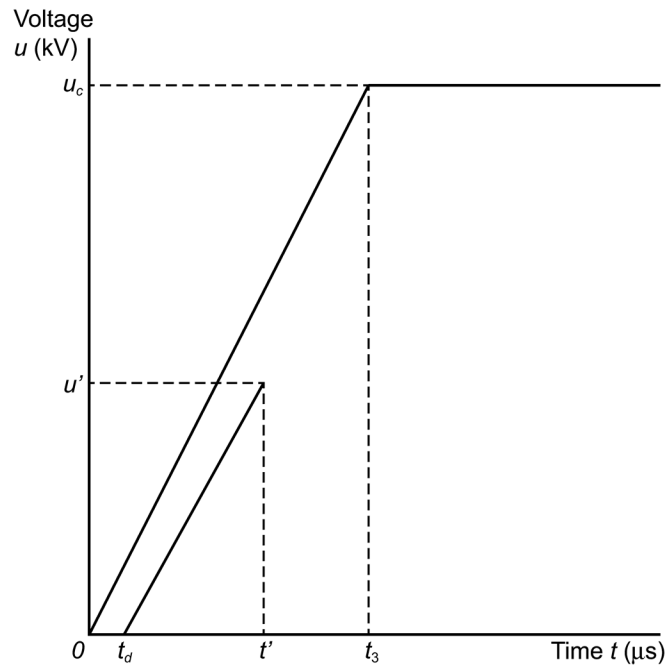
$t'$  is derived from  $u'$ ,  $u_0/t_3$ , and  $t_d$  according to Figure 5.

For rated maximum voltages 100 kV and above:

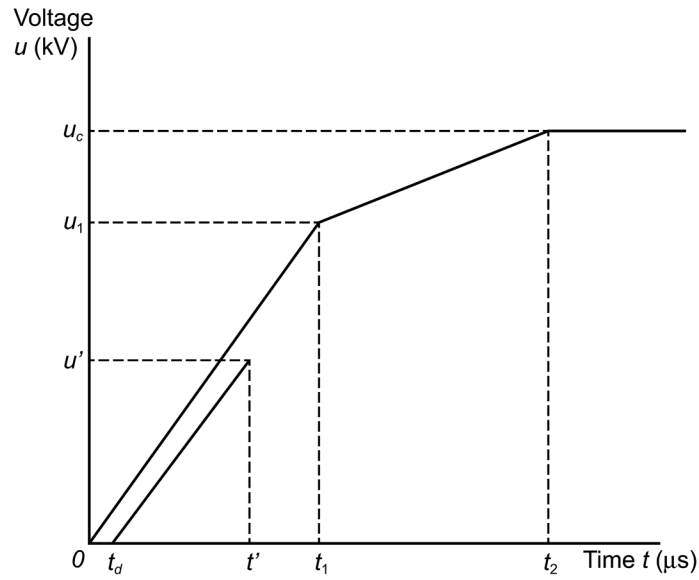
$$t_d = 2 \mu\text{s}$$

$$u' = u_0/2 \text{ and}$$

$t'$  is derived from  $u'$ ,  $u_0/t_3$ , and  $t_d$  according to Figure 6.



**Figure 5—Representation of specified TRV by two-parameter reference and delay line**



**Figure 6 —Representation of specified TRV by four-parameter reference and delay line**

### 5.13.3 Standard values of TRV

Subclause 5.7.2.1 of IEEE Std C37.04-2018 is applicable.

Preferred values of TRV for three-pole circuit switchers of rated maximum voltages below 100 kV make use of two parameters. Values are given in Table 2. (The T100 and T60 data come from C37.04-2018 Table 14) (The TLF data comes from C37.06.1-201 Table 2)

**Table 2—Standard values of TRV for system-fed faults with rated maximum voltages below 100 kV with representation by two parameters**

Rated maximum voltage $U_r$ (kV)	Test Duty	TLF test breaking current $I_{TLF}$ (kA, rms)	First pole-to-clear factor $k_{pp}$ (pu)	Amplitude factor $k_{af}$ (pu)	TRV peak value $u_c$ (kV)	Time $t_3$ ( $\mu$ s)	Time delay $t_d$ ( $\mu$ s)	Voltage $u'$ (kV)	Time $t'$ ( $\mu$ s)	Rate of rise $u_c/t_3$ (kV/ $\mu$ s)
15.5	T100		1.5	1.54	29.2	32	2	9.7	12	0.92
<u>15.5</u>	<u>T60</u>		<u>1.5</u>	<u>1.65</u>	<u>31.3</u>	<u>21</u>	<u>3</u>	<u>10.4</u>	<u>10</u>	<u>1.47</u>
15.5	TLF2	12.5	--	--	23.9	7	1.0	--	--	3.4
<u>15.5</u>	<u>TLF1</u>	<u>4</u>	--	--	<u>30.8</u>	<u>9</u>	<u>1.4</u>	--	--	<u>3.4</u>
25.8	T100		1.5	1.54	48.7	45	2	16.2	17	1.08
<u>25.8</u>	<u>T60</u>		<u>1.5</u>	<u>1.65</u>	<u>52.1</u>	<u>30</u>	<u>5</u>	<u>17.4</u>	<u>15</u>	<u>1.47</u>
25.8	TLF2	12.5?	--	--	Calc	Calc	Calc	--	--	Calc
<u>25.8</u>	<u>TLF1</u>	<u>4?</u>	--	--	<u>Calc</u>	<u>Calc</u>	<u>Calc</u>	--	--	<u>Calc</u>
38	T100		1.5	1.54	71.7	59	3	23.9	23	1.21
<u>38</u>	<u>T60</u>		<u>1.5</u>	<u>1.65</u>	<u>76.7</u>	<u>40</u>	<u>6</u>	<u>25.6</u>	<u>19</u>	<u>1.93</u>
38	TLF2	12.5	--	--	58.6	12	1.8	--	--	4.9
<u>38</u>	<u>TLF1</u>	<u>4</u>	--	--	<u>75.4</u>	<u>15</u>	<u>2.2</u>	--	--	<u>5.1</u>
48.3	T100		1.5	1.54	91.1	70	3.5	30.4	27	1.30
<u>48.3</u>	<u>T60</u>		<u>1.5</u>	<u>1.65</u>	<u>97.5</u>	<u>47</u>	<u>7</u>	<u>32.5</u>	<u>23</u>	<u>2.07</u>
48.3	TLF2	12.5	--	--	74.5	12	2.0	--	--	5.8
<u>48.3</u>	<u>TLF1</u>	<u>4</u>	--	--	<u>95.8</u>	<u>15</u>	<u>2.5</u>	--	--	<u>5.7</u>
<u>52</u>	<u>T100</u>		1.5	<u>1.54</u>	<u>98.1</u>	<u>74</u>	<u>4</u>	<u>32.7</u>	<u>36</u>	<u>1.33</u>
<u>52</u>	<u>T60</u>		<u>1.5</u>							
<u>52</u>	<u>TLF2</u>	<u>12.5?</u>	--	--	<u>Calc</u>	<u>Calc</u>	<u>Calc</u>	--	--	<u>Calc</u>
<u>52</u>	<u>TLF1</u>	<u>4?</u>	--	--	<u>Calc</u>	<u>Calc</u>	<u>Calc</u>	--	--	<u>Calc</u>
72.5	T100		1.5	1.54	137	93	5	45.6	36	1.47
<u>72.5</u>	<u>T60</u>		<u>1.5</u>	<u>1.65</u>	<u>146</u>	<u>62.5</u>	<u>9</u>	<u>48.8</u>	<u>30</u>	<u>2.34</u>
72.5	TLF2	12.5	--	--	111.9	16	2.4	--	--	7.0
<u>72.5</u>	<u>TLF1</u>	<u>4</u>	--	--	<u>143.8</u>	<u>20</u>	<u>3.0</u>	--	--	<u>7.1</u>

For rated maximum voltages of 100 kV and above, four parameters are used. Values are given in Table 3. ~~For effectively grounded systems, a first pole-to-clear factor ( $k_{pp}$ ) of 1.3 should be used.~~ For simplification circuit switchers are assumed to be applied in ungrounded systems and for three-phase ungrounded faults on effectively grounded systems, a first pole-to-clear factor ( $k_{pp}$ ) of 1.5 ~~should will~~ be used.

**Table 3—Standard values of TRV for system-fed faults with rated maximum voltages 100 kV and above with representation by four parameters**

Rated maximum voltage $U_r$ (kV)	Test Duty	TLF test breaking current $I_{TLF}$ kA, rms	First pole-to-clear factor $k_{pp}$ (pu)	Amplitude factor $k_{ar}$ (pu)	First reference voltage $U_1$ (kV)	Time $t_1$ ( $\mu$ s)	TRV peak value $u_c$ (kV)	Time $t_2$ ( $\mu$ s)	Time delay $t_d$ ( $\mu$ s)	Voltage $u'$ (kV)	Time $t'$ ( $\mu$ s)	Rate of rise $u_1/t_1$ (kV/ $\mu$ s)
100	T100		1.53	1.4	80	40	149	160	2	40	22	2
100	T60		1.5	1.4	92	46	171	184	2	46	25	2
100	TLF2	12.5?	--	--	--	--	Calc	Calc	Calc	--	--	Calc
100	TLF1	4?	--	--	--	--	Calc	Calc	Calc	--	--	Calc
123	T100		1.53	1.4	98	49	183	196	2	49	27	2
123	T60		1.5	1.4	113	57	211	226	2	57	30	2
123	TLF2	12.5	--	--	--	--	190	19	3	--	--	9.1
123	TLF1	4	--	--	--	--	244	26	4	--	--	9.9
145	T100		1.53	1.4	115	58	215	230	2	58	31	2
145	T60		1.5	1.4	133	67	249	266	2	67	35	2
145	TLF2	12.5	--	--	--	--	224	23	3	--	--	9.7
145	TLF1	4	--	--	--	--	288	29	4	--	--	9.9
170	T100		1.53	1.4	135	68	253	270	2	68	36	2
170	T60		1.5	1.4	156	78	291	312	2	78	41	2
170	TLF2	12.5	--	--	--	--	262	24	4	--	--	10.9
170	TLF1	4	--	--	--	--	337	31	5	--	--	11
245	T100		1.53	1.4	195	98	364	390	2	98	51	2
245	T60		1.5	1.4	225	113	420	450	2	113	58	2
245	TLF2	16	--	--	--	--	378	28	4	--	--	13.5
245/245	TLF1	5	--1.5	--1.4	--225	--113	486/420	35/450	5/2	--113	--58	13.9/2

The TRV corresponding to the rated primary-bus fault breakingshort-circuit breaking current on the occurrence of a terminal fault is used for testing at primary-bus fault breakingshort-circuit breaking currents equal to the rated value. However, for testing at primary-bus fault breakingshort-circuit breaking currents less than 100% of the rated value, other values of TRV are specified (see 0).

#### 5.13.4 TRVs for currents below rated primary-bus fault breaking current

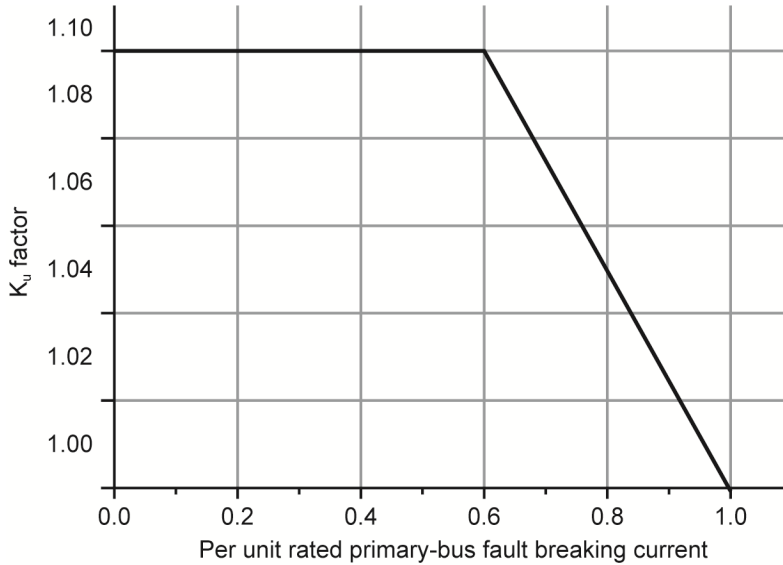
The circuit switcher shall be capable of withstanding a TRV envelope greater than the rated TRV when interrupting primary-bus fault currents are less than the rated primary-bus fault breaking current. The TRV parameters for currents below the rated primary-bus fault breaking current are defined as a function of the parameters for the 100% rated primary-bus fault breaking current case [designated by a (100)-subscript] and appropriate multipliers:

For rated maximum voltages below 100 kV, two parameters are used:

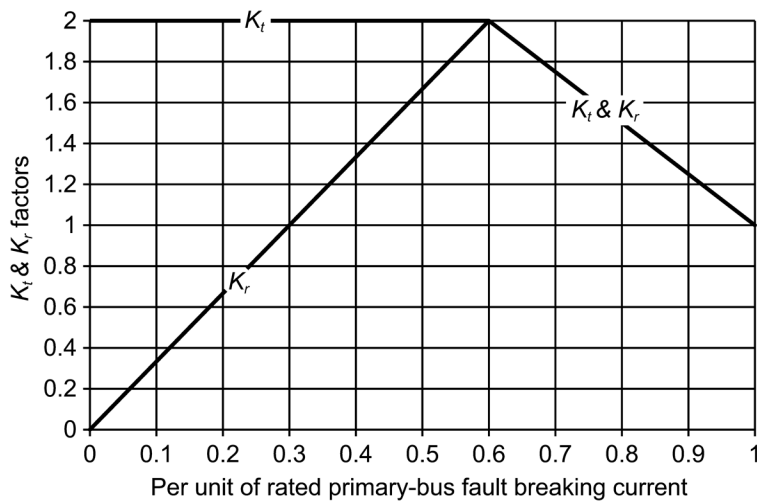
- TRV peak value  $u_c = K_u u_{c(100)}$  (see Figure 7).
- Rate of rise  $u_e/t_3 = K_r u_{e(100)}/t_{3(100)}$  (see Figure 8).
- Voltage  $u' = u_e/3$ .
- Time delay  $t_d = 0.05 t_3$ .
- Time  $t'$  is derived from  $u'$ ,  $u_e/t_3$ , and  $t_d$  according to Figure 5.

For rated maximum voltages 100 kV and above, the four parameters are used:

- First reference voltage  $u_1 = K_u u_{1(100)}$ , (see Figure 7).
- Rate of rise  $u_1/t_1 = K_r u_{1(100)}/t_{1(100)}$ , (see Figure 8).
- TRV peak value  $u_e = K_u u_{e(100)}$ , (see Figure 7).
- Time  $t_2 = t_{2(100)}/K_t$ , (see Figure 8).
- Voltage  $u' = u_{e(100)}/2$ .
- Time delay  $t_d = 2 \mu\text{s}$ .
- Time  $t'$  is derived from  $u'$ ,  $u_1/t_1$ , and  $t_d$  according to Figure 6.



**Figure 7 —  $K_u$  factor**



**Figure 8 —  $K_t$  and  $K_r$  factors**

#### 5.14 Rated transformer-limited fault breaking current ( $I_{tf}$ )

The rated transformer-limited fault breaking current is the highest transformer-limited fault current that the circuit switcher shall be capable of breaking under the conditions of use and behavior prescribed in this

standard in a circuit having a power-frequency recovery voltage corresponding to the rated maximum voltage of the circuit switcher and having a TRV equal to the value specified in 5.15. The preferred rated transformer-limited fault breaking currents are selected from the R10 series.

## 5.15 Rated TRV related to the transformer-limited fault breaking current

### 5.15.1 General

The TRV related to the rated transformer-limited fault breaking current in accordance with 5.14 is the reference voltage that constitutes the limit of the prospective TRV of circuits that the circuit switcher shall be capable of withstanding under transformer-limited fault currents.

The TRV can be approximated by a damped single-frequency oscillation for the transformer-limited fault because the fault is influenced by the transformer. This waveform is adequately represented by an envelope consisting of two line segments defined by means of two parameters.

### 5.15.2 Representation of TRV

The calculation of TRV parameters as a function of rated maximum voltage ( $U_r$ ) and transformer-limited fault (TLF) test breaking current for circuit breakers of rated voltages higher than 1 kV can be found in Annex A of C37.06.1-2017.

The following parameters are used for the representation of TRV:

a) — Two-parameter reference line (see Figure 5):

$u_e$  — reference voltage (TRV peak value) (kV)

$t_3$  — time to reach  $u_e$  ( $\mu$ s)

TRV parameters are defined as follows as a function of the rated maximum voltage ( $U_r$ ), the first pole-to-clear factor ( $k_{pp}$ ), and the amplitude factor ( $k_{af}$ ):

$$u_c = 0.9 k_{pp} k_{af} U_r \sqrt{\frac{2}{3}}$$

where  $k_{af}$  is equal to 1.8 (based on statistical measurements of transformers),  $k_{pp}$  is equal to 1.5 reflecting ungrounded transformer primary connections for transformer-limited faults, and the 0.9 factor accounts for the reduction of the TRV because of the voltage drop across the source impedance.

$$t_3 = 0.106 \sqrt{\frac{U_r C}{I_{tf}}}$$

where  $C$  is equal to the lumped equivalent terminal capacitance to ground of the transformer in picofarads, and  $I_{tf}$  is equal to the transformer-limited fault current in kiloamperes, as follows:

$C = 1480 + 89 I_{tf}$  (pF) for rated maximum voltages less than 123 kV

$C = 1650 + 180 I_{tf}$  (pF) for rated maximum voltages 123 kV and above

d) — Delay line of TRV (see Figure 5)

$t_d$  — time delay ( $\mu$ s)

$u'$  = reference voltage (kV)

$t'$  = time to reach  $u'$  ( $\mu$ s)

NOTE—The equations for  $t_3$  and  $C$  given in item e) are based on the 90th percentile curves for three-phase power transformer TRV frequencies across the first pole to clear given in Annex B of IEEE Std C37.011 [B2].

The delay line starts on the time axis at the rated time delay, runs parallel to the first section of the reference line of rated TRV, and terminates at the voltage  $u'$  (time coordinate  $t'$ ).

For rated maximum voltages below 100 kV:

$$t_d = 0.2 t_3$$

$$u' = u_c/3$$

$t'$  is derived from  $u'$ ,  $u_c/t_3$ , and  $t_d$  according to Figure 5.

For rated maximum voltages from 100 kV to 245 kV:

$$t_d = 0.123 t_3$$

$$u' = u_c/3$$

$t'$  is derived from  $u'$ ,  $u_c/t_3$ , and  $t_d$  according to Figure 5.

### 5.15.3 Preferred values of TRV for rated transformer-limited fault breaking current

Preferred values of TRV for three-pole circuit switchers with rated transformer-limited fault breaking current are calculated from the equations given in 5.15.2 taken from Tables 2 and 3 of C37.06.1-2017.

NOTE—The following is an example of how to calculate the rated TRV for a typical transformer-limited fault application:

Circuit switcher ratings:

Rated maximum voltage  $U_r = 145$  kV

First pole-to-clear factor  $k_{pp} = 1.5$

Rated transformer-limited fault current  $I_{tr} = 4$  kA

Calculated values for two-parameter representation of the TRV related to the rated transformer-limited fault current:

$$u_c = 0.9 \times 1.5 \times 1.8 \times \sqrt{2/3} \times 145 = 288 \text{ kV}$$

$$C = 1650 + 180 \times 4 = 2370 \text{ pF}$$

$$t_3 = 0.106 \times \sqrt{(145 \times 2370/4)} = 31 \text{ } \mu\text{s}$$

$$t_d = 0.123 \times 31 = 3.8 \text{ } \mu\text{s}$$

$$u' = 288/3 = 96 \text{ kV}$$

$$t' = 96 \times (31/288) + 3.8 = 14.1 \text{ } \mu\text{s}$$

### 5.15.4 TRV for transformer-limited fault currents less than the rated value

The circuit switcher shall be capable of withstanding a TRV calculated as shown in 5.15.2 when interrupting breaking transformer-limited fault currents less than the rated transformer-limited fault breaking current.

## 5.16 Rated short-circuit making current ( $I_m$ )

The rated short-circuit making current is the maximum peak power-frequency current that a circuit switcher shall be required to make at its rated maximum voltage. The peak current is 2.5 times the symmetrical value at rated power frequency of 50 Hz and 2.6 times at a rated power frequency of 60 Hz.

When the rated short-circuit making current exceeds 2.5 times the rated ~~primary-bus-fault-breakingshort-circuit breaking~~ current at 50 Hz or 2.6 times the rated ~~primary-bus-fault-breakingshort-circuit breaking~~ current at 60 Hz, the circuit switcher shall be assigned a 1 or 2 times duty-cycle closing rating. The circuit switcher



shall be able to switch and carry the rated continuous current after completion of all the duty-cycle closing operations. Additionally, the circuit switcher shall be able to interrupt its rated fault currents after the first closing operation when a 2 times duty-cycle closing rating is assigned.

### 5.17 Rated operating sequence

The rated operating sequence of a circuit switcher is close-open (CO), which represents a closing operation followed immediately (that is, without any intentional delay) by an opening operation.

### 5.18 Rated capacitive switching currents

#### 5.18.1 General

Capacitive switching currents may comprise part or all of the operating duty of a circuit switcher, such as the charging current of an unloaded transmission line or cable or the load current of a shunt capacitor bank.

The rating of a circuit switcher for capacitive current switching shall include the following, where applicable:

- b)a) Rated line charging breaking current
- e)b) Rated cable charging breaking current
- d)c) Rated capacitor bank breaking current
- e)d) Rated back-to-back capacitor bank transient peak inrush making current
- f)e) Tested back-to-back capacitor bank transient inrush making current frequency
- g)f) Application grounding condition: grounded or ungrounded
- h)g) Pole discrepancy: simultaneous or non-simultaneous operation
- i)h) Breaking in the presence of ground faults
- j)i) Restrike performance—Class C0, Class C1, or Class C2

Preferred values of rated capacitive switching currents are given in [Table 4](#).

**Table 4—Preferred values of rated capacitive switching currents**

Rated maximum voltage $U_r$ (kV, rms)	Rated line-charging switching current $I_l$ (A, rms)	Rated cable-charging switching current $I_c$ (A, rms)	Rated shunt capacitor bank switching current <sup>a</sup> $I_b$ (A, rms)	Rated peak capacitive inrush current $I_{bi}$ (kA)	Frequency of the inrush current $F_{bi}$ (kHz)
15.5	10	25	600	20	5
25.8	10	31.5	600	20	5
38	10	50	600	20	5
52	10	80	600	20	5
72.5	20	125	600	20	5
100	20	125	600	20	5
123	50	140	600	20	5
145	80	160	600	20	5
170	100	160	600	20	5
245	160	250	600	20	5

<sup>a</sup>The preferred class of shunt capacitor bank switch current is class C2 per IEEE Std C37.100.2-2018.

The recovery voltage related to capacitive current switching depends on the following:

- The grounding of the system.
- The grounding of the capacitive load, for example screened cable, capacitor bank, transmission line.
- The mutual influence of adjacent phases of the capacitive load, for example belted cables, open air lines.
- The mutual influence of adjacent systems of overhead lines on the same route.
- The presence of single- or two-phase ground faults.

The following three classes of circuit switchers are defined according to their restrike performances:

- Class C0: unspecified probability of restrike during capacitance current breaking; up to one restrike per operation.
- Class C1: low probability of restrike during capacitance current breaking.
- Class C2: very low probability of restrike during capacitance current breaking.

Each capacitance current switching rating assigned must have an associated class (C0, C1, or C2) with it.

A circuit switcher can be of class C2 for one kind of application (for example in grounded neutral systems) and of class C1 for another kind of application where the recovery voltage stress is more severe (for example in systems other than grounded neutral systems).

### **5.18.2 Rated line-charging breaking current (LC)**

The rated line-charging breaking current is the maximum line-charging current that the circuit switcher shall be capable of breaking at its rated voltage.

### **5.18.3 Rated cable-charging breaking current (CC)**

The rated cable-charging breaking current is the maximum cable-charging current that the circuit switcher shall be capable of breaking at its rated voltage.

### **5.18.4 Rated single capacitor bank breaking current (BC)**

The rated single capacitor bank breaking current is the maximum capacitor current that the circuit switcher shall be capable of breaking at its rated voltage. Rated single capacitor bank breaking current is applicable for both single bank and back-to-back bank applications.

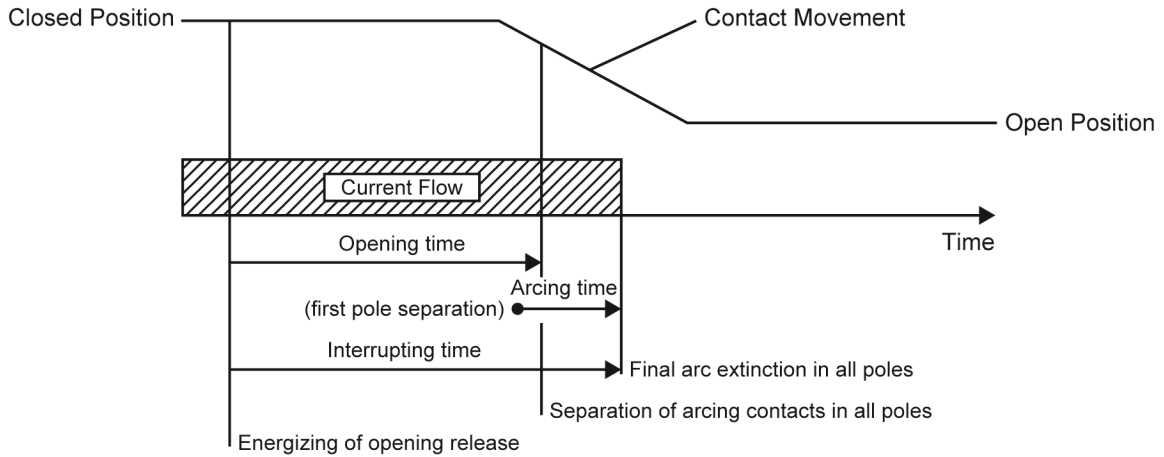
### **5.18.5 Rated back-to-back capacitor bank transient peak inrush making current ( $I_{bb}$ )**

The rated back-to-back capacitor bank transient peak inrush making current is the peak value of the current that the circuit switcher shall be capable of making at its rated voltage and with a frequency of the inrush current appropriate to the service conditions.

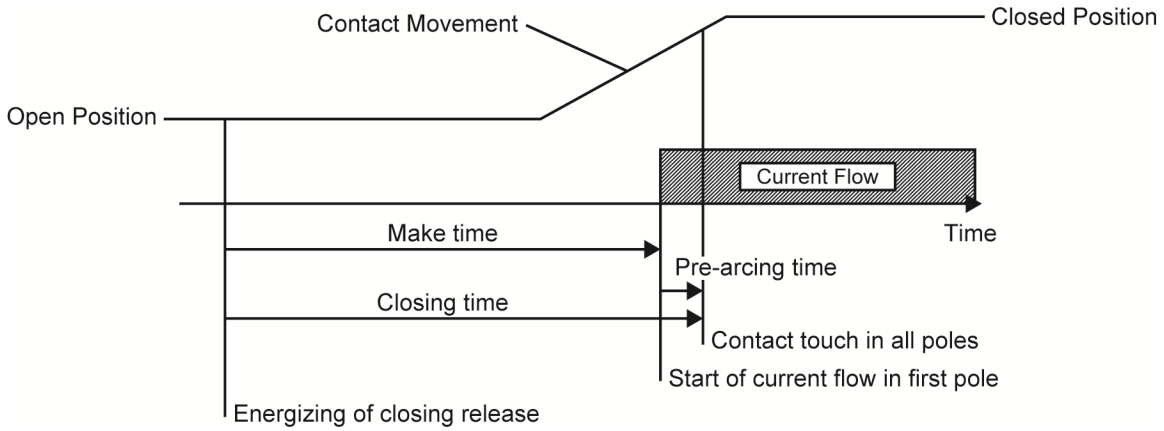
## **5.19 Rated time quantities**

### **5.19.1 General**

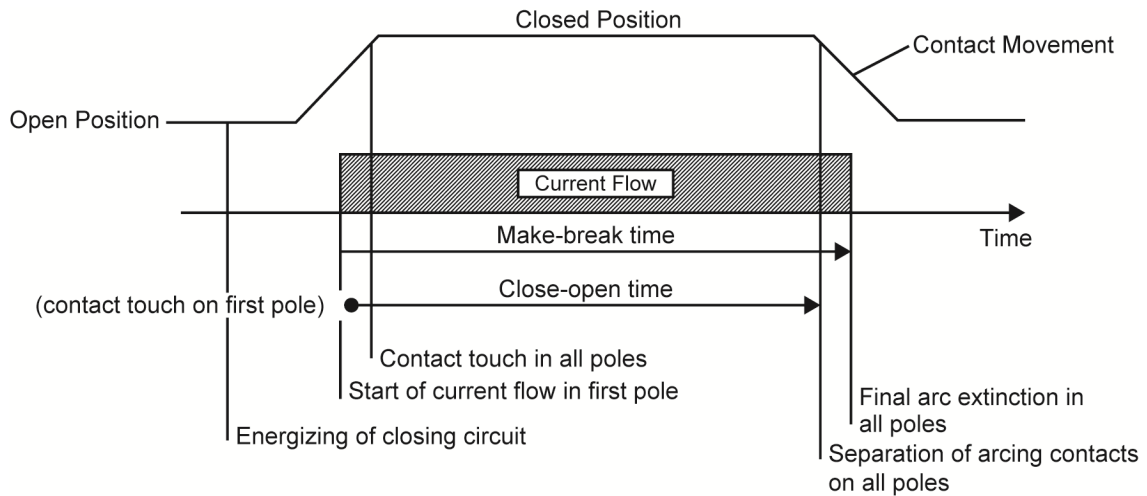
Refer to [Figure 5](#), [Figure 6](#), and [Figure 7](#).



**Figure 9** **Figure 5** —Opening time quantities



**Figure 10** **Figure 6** —Closing time quantities



**Figure 14** **Figure 7** —Close-open time quantities

Rated values may be assigned to the following time quantities:

- Opening time (no load)

- Interrupting time
- Closing time (no load)

NOTE 1—Although rated values may be assigned, they are not verified by the tests specified in this standard as the tests are not performed with rated conditions.

Rated time quantities are based on the following:

- Rated control voltages of closing and opening devices and of auxiliary circuits
- Rated control frequency of closing and opening devices and of auxiliary circuits' rated pressures of compressed gas supply for operation and for interruption, as applicable rated pressure of hydraulic supply for operation
- An ambient air temperature of  $20 \pm 5$  °C

NOTE 2—Usually, it is not practical to assign a rated value of make time or of make-break time due to the variation of the pre-arcing time.

### 5.19.2 Rated interrupting time

The rated interrupting time of a circuit switcher is the maximum interval between energizing the trip circuit and interruption of the main circuit in all poles on an opening operation when interrupting a current within the assigned ratings at rated maximum voltage.

Subclause 4.7 of IEEE Std C37.09-2018 is applicable.

NOTE—Although a rated interrupting time may be assigned, it is not verified by the tests specified in this standard as the tests are not performed with rated conditions.

### 5.20 Mechanical operations endurance

A circuit switcher shall be able to perform the number of operations given in [Table 5](#), taking into account the program of maintenance specified by the manufacturer.

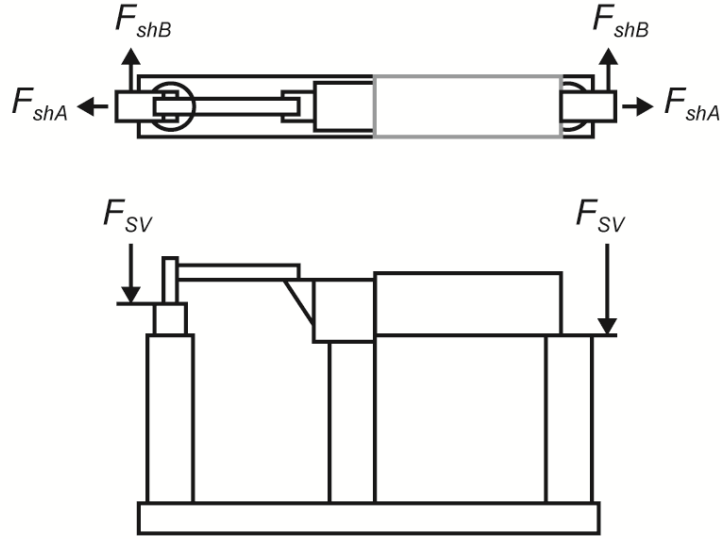
**Table 5—Preferred rated mechanical endurance operations**

Class	Endurance	Number of operating cycles
CSM1	Low mechanical endurance for applications such as transformer protection	1500
CSM2	Medium mechanical endurance for applications such as capacitor bank switching	5000
CSM3	High mechanical endurance for applications such as frequent capacitor bank switching	10 000

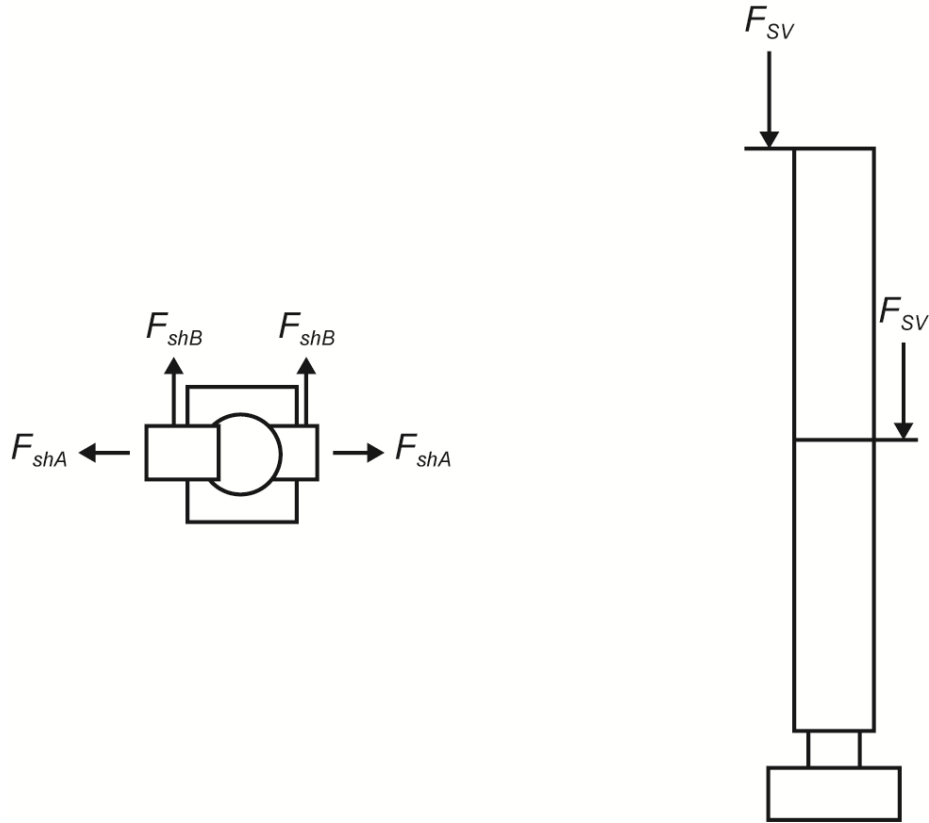
### 5.21 Rated static terminal load

The rated static terminal load is the highest static terminal load that may be applied to the circuit switcher terminals as shown in [Figure 7](#).

The preferred rated static terminal loads are given in [Table 6](#).



(a) Circuit switcher with isolating disconnect



(b) Circuit switcher without isolating disconnect

Figure 12 Figure 8 —Examples of the application of rated static terminal loads

Table 6 —Preferred values of rated static terminal loads

Preferred rated	Rated	Static horizontal force $F_{sh}$	Static vertical force (vertical axis-upward and
-----------------	-------	-------------------------------------	--

maximum voltage $U_r$ (kV)	continuous current	Longitudinal $F_{shA}$ (N)	Transverse $F_{shB}$ (N)	downward) $F_{sv}$ (N)
<b>Circuit switchers with isolating disconnects</b>				
15.5–72.5	—	400	130	130
100–170	—	530	180	490
245	—	800	270	1670
<b>Circuit switchers without isolating disconnects</b>				
15.5–72.5	1250 A and below Above 1250 A	500 750	400 500	500 750
100–170 kV	2000 A and below Above 2000 A	1000 1250	750 750	750 1000
245 kV	All	1250	1000	1250

## 5.22 Rated ice-breaking ability

The rated ice-breaking ability is the maximum thickness of ice deposited on a device that will not interfere with its successful opening or closing.

The preferred values of rated ice-breaking ability are 9.5 mm and 19 mm.

## 6. Design and construction (Let's double check this later)

### 6.1 Requirements for liquids in circuit switchers

Subclause 6.1 of IEEE Std C37.100.1-2018 is applicable.

### 6.2 Requirements for gases in circuit switchers

Subclause 6.2 of IEEE Std C37.100.1-2018 is applicable.

### 6.3 Grounding of circuit switchers

Subclause 6.3 of IEEE Std C37.100.1-2018 is applicable with the following addition:

The diameter of the clamping screw or bolt shall be at least 12 mm. A standard 2-hole NEMA pad as defined in NEMA CC 1-2009 should be provided when specified. Other terminals pads may also be specified and supplied.

### 6.4 Auxiliary and control equipment and circuits

Users shall specify the auxiliary equipment requirements necessary for their applications.

### 6.5 Dependent power operation

Subclause 6.5 of IEEE Std C37.100.1-2018 is applicable with the following addition:

A circuit switcher arranged for dependent power closing with external energy supply shall also be capable of opening immediately following the closing operation with the rated ~~primary-bus-fault-breaking~~short-circuit breaking current.

## 6.6 Stored energy closing

### 6.6.1 General

A circuit switcher arranged for stored energy closing shall also be capable of opening immediately following the closing operation with the rated ~~primary-bus-fault-breaking~~short-circuit breaking current when the energy store is suitably charged in accordance with 6.6.2 or 6.6.3. If maximum closing and opening times are stated by the manufacturer, these maximums shall not be exceeded.

Except for slow operation during maintenance, the main contacts shall move only under the action of the drive mechanism and in the designed manner and not in the case of reapplication of the energy supply after a loss of energy.

### 6.6.2 Energy storage in gas receivers or hydraulic accumulators

When the energy store is a gas receiver or hydraulic accumulator, the requirements of 6.6.1 apply at operating pressures between the following:

- a) External pneumatic or hydraulic supply
  - Unless otherwise specified by the manufacturer, the limits of the operating pressure are between 85% and 110% of rated pressure.
  - These limits do not apply where receivers also store compressed gas for interruption.
- b) Compressor or pump integral with the circuit switcher or the operating device
  - The limits of operating pressure shall be stated by the manufacturer.

### 6.6.3 Energy storage in springs (or weights)

When the energy store is a spring (or weight), the requirements of 6.6.1 apply when the spring is charged (or the weight lifted). It shall not be possible for the moving contacts to move from the open position unless the charge is sufficient for satisfactory completion of the closing operation.

## 6.7 Manually operated releases

Circuit switchers shall be equipped with a manually operated release to OPEN the circuit switcher and may optionally be equipped with a manually operated release to CLOSE the circuit switcher. These releases shall be clearly labeled such that an operator can easily identify and operate them.

## 6.8 Operation of releases

Subclause 7.4.4 of IEEE Std C37.04-2018 is applicable.

## 6.9 Nameplates

The nameplates of a circuit switcher and its operating devices shall be marked in accordance with [Table 7](#).

The nameplate shall be visible in the position of normal service and installation.

**Table 7 —Nameplate information**

Information	Abbreviation <sup>a</sup>	Unit	Circuit switcher	Operating device	Condition: Marking required only if
Manufacturer			X	X	
Type designation and serial number			X	X	
Instruction book number			X	X	
Rated maximum voltage	$U_r$	kV	X		
Rated lightning impulse withstand voltage	$U_p$	kV	X		
Rated power frequency	$f_r$	Hz	X*		
Rated continuous current	$I_r$	A	X		
Rated short-time withstand current	$I_k$	kA	X		
Rated duration of short circuit	$t_k$	s	y		different from 1 s
Rated <del>primary-bus</del> short-circuit fault breaking current	$I_{pbf}$	kA	X		
<del>DC component of the rated primary-bus fault breaking current</del>	% dc	%	y		more than 20%
Rated interrupting time for fault currents		ms	X		
Rated operating sequence			X		
Rated transformer-limited fault breaking current	$I_{tf}$	kA	X		
Rated short-circuit making current	$I_m$	kA	X		
Rated line-charging switching current	$I_l$	A	(X)		
Rated cable-charging switching current	$I_c$	A	(X)		
Rated shunt capacitor bank switching current	$I_b$	A	(X)		
Rated peak capacitive inrush current	$I_{bi}$	kA	(X)		
Rated filling pressure for operation	$p_{rm}$	MPa		(X)	
Rated filling pressure for interruption	$p_{re}$	MPa	(X)		
Rated control voltage of closing and opening devices		V		(X)	
Rated supply frequency of closing and opening devices		Hz		(X)	
Rated control voltage of auxiliary circuits	$U_a$	V		(X)	
Rated control frequency of auxiliary circuits		Hz		(X)	
Mass of circuit switcher	M	kg	y	y	more than 300 kg
Mass of interrupting medium (measured mass shipped)	m	kg	y		if gas or fluid used for interruption
Year of manufacture			X		

X = the marking of these values is mandatory; blanks indicate the value zero.  
 (X) = the marking of these values is optional or when specified by the user. y = the marking of these values is to the conditions in column (6).  
 \* = device rated for both 50 Hz and 60 Hz shall be marked 50/60 Hz.

<sup>a</sup>The abbreviation in the second column may be used instead of the terms in the first column. When terms in the first column are used, the word “rated” need not appear.

## 6.10 Locking devices

Circuit switchers with isolating disconnects shall be provided with locking facilities as specified to the manufacturer (e.g., provision of padlocks).



### **6.11 Position indication**

Subclause ~~6.127.4.2~~ of IEEE Std C37.100.1-2018 is applicable.

### **6.12 Degrees of protection provided by enclosures**

Subclause 6.13 of IEEE Std C37.100.1-2018 is applicable.

### **6.13 Creepage distances for outdoor insulators**

Subclause 6.14 of IEEE Std C37.100.1-2018 is applicable.

### **6.14 Gas and vacuum tightness**

Subclause 7.11 of IEEE Std C37.04-2018 is applicable.

### **6.15 Tightness for liquid systems**

Subclause 6.16 of IEEE Std C37.100.1-2018 is applicable.

### **6.16 Flammability**

The materials should be chosen and the parts designed in such a way that they retard the propagation of any flame resulting from accidental overheating in the switchgear and controlgear and reduce harmful effects on the local environment. In cases where product performance requires the use of flammable materials, product design should take flame retardation into account, if applicable.

- IEEE Std C37.20.2 [B3] provides guidance on flame resistance tests for insulation.
- IEC 60695-1-10 [B1] provides guidance for assessing the fire hazard of electrotechnical products.
- IEC 60695-1-10 [B1] provides guidance on the minimization of toxic hazards due to fires involving electrotechnical products.

### **6.17 Electromagnetic compatibility (EMC)**

Subclause 6.18 of IEEE Std C37.100.1-2018 is applicable.

### **6.18 X-ray emission**

Subclause 6.19 of IEEE Std C37.100.1-2018 is applicable.

### **6.19 Pressurized components**

Subclause 7.19 of IEEE Std C37.04-2018 is applicable.

### **6.20 Pressurized systems**

Subclause 7.20 of IEEE Std C37.04-2018 is applicable.

## **6.21 Low- and high-pressure interlocking and monitoring devices**

All circuit switchers having energy storage in gas receivers or hydraulic accumulators and all circuit switchers, except sealed pressure devices, using compressed gas for interruption shall be fitted with a low-pressure interlocking device, and can also be fitted with a high-pressure interlocking device, set to operate at, or within, the appropriate limits of pressure stated by the manufacturer. Sealed systems shall be fitted with a low gas pressure indicator set to the appropriate limits stated by the manufacturer.

## **6.22 Disconnect operation**

### **6.22.1 Operating requirements for coordinated disconnect operation**

Circuit switchers with coordinated disconnect operation shall have power-operated disconnects and integral control circuits to open the disconnect immediately after the interrupter opens and to close the disconnect in sequence with the interrupter to close the circuit switcher. Energization of the circuit may be done with the disconnect. The disconnect will operate every time the interrupter operates. Means shall be provided to decouple the disconnect drive from the power source and to lock the disconnect in the open position to provide secure isolation of the circuit.

### **6.22.2 Operating requirements for independent disconnect operation**

Circuit switchers with independent disconnect operation have no requirement for the disconnect operation or position relative to the interrupter. Disconnect operation may be manual or power-operated, and these may be completely independent of the interrupter mechanism, position, or control scheme. For power-operated disconnects, means shall be provided to decouple the disconnect drive from the power source and to lock the disconnect in the open position to provide secure isolation of the circuit. For manually operated disconnects, means shall be provided to lock the disconnect in the open position. Requirements for interlocking shall be user specified.

## **7. Design (type) tests**

### **7.1 General**

#### **7.1.1 Introduction**

Each test specimen shall fully conform to drawings and be fully representative of its type and shall be subjected to one or more type tests.

Each individual type test shall be made in principle on a complete circuit switcher in the condition as required for service, on their operating devices and auxiliary equipment, all of which in principle shall be in, or restored to, a new and clean condition at the beginning of each type test.

#### **7.1.2 Information for identification of specimens**

Subclause 7.2.2 of IEEE Std C37.100.1-2018 is applicable.

#### **7.1.3 Information to be included in design test (type test) reports**

Subclause 7.2.3 of IEEE Std C37.100.1-2018 is applicable.

## 7.2 Dielectric tests

### 7.2.1 General

Dielectric tests of the switchgear shall be performed in compliance with IEEE Std 4 unless otherwise specified in this standard.

The tolerance for test value of the impulse voltage tests is +3%/–0%.

If correction factors are applied due to atmospheric conditions at the time of the test, it may be necessary to perform separate tests on equipment with non-atmospheric insulation paths in accordance with 7.3.13 of IEEE Std C37.100.1-2018.

### 7.2.2 Ambient air conditions during tests

Subclause 7.3.2 of IEEE Std C37.100.1-2018 is applicable.

### 7.2.3 Wet test procedure

Subclause 7.3.3 of IEEE Std C37.100.1-2018 is applicable with the following addition:

For dead tank circuit switchers when the bushings have been previously wet tested, these tests can be omitted.

### 7.2.4 ~~Arrangement of the equipment~~Conditions of switchgear during dielectric tests

Subclause 7.3.4 of IEEE Std C37.100.1-2018 is applicable.

### 7.2.5 Criteria to pass the test

Subclause 7.3.5 of IEEE Std C37.100.1-2018 is applicable.

### 7.2.6 Application of test voltage and test conditions

#### 7.2.6.1 General

Distinction must be made between the general case, where the three test voltage applications (phase-to-ground, between phases, and across open switching device) are the same, and the special cases of the isolating distance and of insulation between phases higher than phase to ground.

Some insulating materials retain a charge after an impulse test and, for these cases, care should be taken when reversing the polarity. To allow the discharge of insulating materials, the use of appropriate methods, such as the application of three impulses at about 80% of the test voltage in the reverse polarity before the test, is recommended.

#### 7.2.6.2 General case

##### 7.2.6.2.1 Circuit switchers with interrupters only

Subclause 7.3.6.2 of IEEE Std C37.100.1-2018 is applicable.

##### 7.2.6.2.2 Circuit switchers with disconnects

With reference to [Figure 99](#), which shows a diagram of the connection of a three-pole circuit switcher, the test voltage shall be applied according to [Table 8](#) as applicable. Table 8 applies to power frequenc

y tests, lightning impulse withstand voltage tests and chopped wave lightning impulse withstand voltage tests.

**Table 8 —Test voltage application locations for circuit switcher with disconnect**

Test condition	Interrupter position	Disconnect position	Voltage applied to	Ground connected to
1 <sup>a</sup>	Closed	Closed	Aax	BCbcyzF
2	Closed	Closed	Bby	ACacxzF
3 <sup>b</sup>	Closed	Closed	Ccz	ABabxyF
4 <sup>c,d</sup>	Closed	Open	A	BCbcxyzF
5 <sup>c,d</sup>	Closed	Open	B	ACbcxyzF
6 <sup>b,c,d</sup>	Closed	Open	C	ABbcxyzF
7 <sup>c,d</sup>	Closed	Open	ax	ABCbcyzF
8 <sup>c,d</sup>	Closed	Open	by	ABCacxzF
9 <sup>b,c,d</sup>	Closed	Open	cz	ABCabxyF
10 <sup>a,d,e,f</sup>	Open	Closed	Ax	BCbcyzF
11 <sup>d,e,f</sup>	Open	Closed	By	ACbcxzF
12 <sup>b,d,e,f</sup>	Open	Closed	Cz	ABbcxyF
13 <sup>a,d,e,f</sup>	Open	Closed	a	ABCbcxyzF
14 <sup>d,e,f</sup>	Open	Closed	b	ABCacxyzF
15 <sup>b,d,e,f</sup>	Open	Closed	c	ABCabxyzF

<sup>a</sup>When the circuit switcher has separately mounted poles, only test 1, 4, 7, 10, and 13 need be done with at least one adjacent grounded pole or equivalent ground plane mounted at the minimum recommended phase distance.

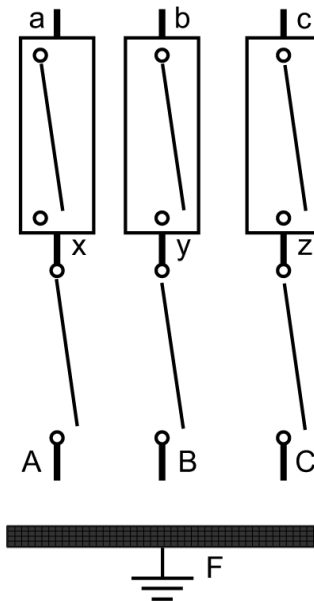
<sup>b</sup>Test conditions 3, 6, 9, 12, and 15 may be omitted if the poles are symmetric with respect to the center pole and ground.

<sup>c</sup>The interrupter shall be shorted out if necessary to achieve test conditions 4 to 9.

<sup>d</sup>Test conditions 4 to 15 do not necessarily confirm that the open device will always flashover to ground instead of across the open gap.

<sup>e</sup>Test conditions 10 to 15 not required for circuit switcher with coordinated disconnect operation.

<sup>f</sup>If the optional chopped wave lightning impulse withstand test is to be performed, it should be performed on test conditions 10 to 15.



**Figure 13** ~~Figure 9~~ —Dielectric test arrangement for circuit switcher with disconnect

### 7.2.6.3 Special case (when the test voltage across the open circuit switcher is higher than the phase-to-ground withstand voltage)

Subclause 7.3.6.3 of IEEE Std C37.100.1-2018 is applicable with the following addition:

When testing circuit switchers with disconnects, substitute [Table 9](#) below for Table 11 or Table 12 in IEEE Std C37.100.1-2018.

**Table 9—Impulse test conditions for longitudinal insulation for circuit switchers with disconnects<sup>a,b</sup>**

Test condition	Interrupter position	Disconnect position	Voltage applied to		Ground connected to
			Main part	Complementary part	
1 <sup>c,d</sup>	Closed	Open	A	ax	BCbcyzF
2 <sup>c</sup>	Closed	Open	B	by	ACacxzF
3 <sup>c,e</sup>	Closed	Open	C	cz	ABabxyF
4 <sup>c,d</sup>	Closed	Open	ax	A	BCbcyzF
5 <sup>c</sup>	Closed	Open	by	B	ACacxzF
6 <sup>c,e</sup>	Closed	Open	cz	C	ABabxyF

<sup>a</sup>Figure 13<sup>3</sup>Figure 9 applies.

<sup>b</sup>These test conditions do not necessarily confirm that the open device will always flashover to ground instead of across the open gap.

<sup>c</sup>The interrupter shall be shorted out if necessary to achieve test conditions 1 to 6.

<sup>d</sup>When the circuit switcher has separately mounted poles, only test 1 and 4 need be done with at least one adjacent grounded pole or equivalent ground plane mounted at the minimum recommended phase distance.

<sup>e</sup>Test conditions 3 and 6 may be omitted if the poles are symmetric with respect to the center pole and ground.

## 7.2.7 Tests of circuit switchers

### 7.2.7.1 General

The tests shall be performed with the test values equal to the withstand values given in [Table 1](#).

### 7.2.7.2 Power-frequency voltage tests

Subclause 7.3.7.2 of IEEE Std C37.100.1-2018 is applicable with the following addition:

In the case of circuit switchers enclosed in a metal tank where the bushings have been previously tested according to the relevant standards, tests under wet conditions can be omitted.

### 7.2.7.3 Lightning impulse voltage test

Subclause 7.3.7.3 of IEEE Std C37.100.1-2018 is applicable.

### 7.2.7.4 Chopped wave **lighting impulse voltage test** (optional)

Subclause 4.5.7 of IEEE Std C37.09-2018 is applicable with the following revision:

The magnitudes of the test voltages are given in [Table 1](#) of this standard.

## 7.2.8 Artificial pollution tests

Artificial pollution tests are not required for insulators having creepage distances that comply with [6.13](#). If the creepage distances do not comply with the requirements of the [6.13](#), artificial pollution tests shall be performed.

d according to IEC 60507:2013, using the rated voltage and the application factors given in IEC 60815-1:2008.

### **7.2.9 Partial discharge tests**

Subclause 7.3.10 of IEEE Std C37.100.1-2018 is applicable with the following addition:

Partial discharge tests are not normally required to be performed on the complete circuit switcher. However, in the case of circuit switchers using components for which a relevant IEEE standard exists, including partial discharge measurements evidence shall be produced by the manufacturer showing that those components have passed the partial discharge tests as laid down in the relevant IEEE standard.

### **7.2.10 Dielectric tests on auxiliary and control circuits**

Subclause 5.16 of IEEE Std C37.09-2018 is applicable.

### **7.2.11 Voltage test as a condition check**

Subclause 7.3.12 of IEEE Std C37.100.1-2018 is applicable.

## **7.3 Radio interference voltage (R.I.V.) tests**

Subclause 7.4 of IEEE Std C37.100.1-2018 is applicable with the following addition:

The circuit switcher shall be considered to have passed the test if the radio interference level at  $1.1 U_r/\sqrt{3}$  does not exceed  $500 \mu\text{V}$ .

## **7.4 Resistance measurement**

Subclause 7.5 of IEEE Std C37.100.1-2018 is applicable.

## **7.5 Continuous current tests**

Subclause 7.6 of IEEE Std C37.100.1-2018 is applicable.

## **7.6 Short-time withstand current (STC) and peak withstand current tests**

Subclause 7.7 of IEEE Std C37.100.1-2018 is applicable with the following addition:

For a three-phase peak withstand current test, the maximum peak current shall occur in an outside pole.

## **7.7 Verification of the protection provided by enclosures**

Subclause 7.8 of IEEE Std C37.100.1-2018 is applicable.

## **7.8 Tightness tests**

Subclause 7.9 of IEEE Std C37.100.1-2018 is applicable.

## 7.9 Electromagnetic compatibility tests

Subclause 7.10 of IEEE Std C37.100.1-2018 is applicable.

## 7.10 X-radiation procedure for vacuum interrupters

Subclause 7.12 of IEEE Std C37.100.1-2018 is applicable.

## 7.11 Mechanical and environmental tests

### 7.11.1 General

Subclause 4.13.1 of IEEE Std C37.09-2018 is applicable.

### 7.11.2 Mechanical endurance test object and conditions

Subclause 4.13.2 of IEEE Std C37.09-2018 is applicable.

### 7.11.3 Circuit switcher operational characteristics

Performance characteristics describe the data taken before, during, and after the mechanical endurance and environmental tests. These characteristics are grouped into datasets 1, 2, and 3, which are defined in [Table 10](#).

**Table 10 —Mechanical endurance and environmental test operational characteristic dataset**

Item	Characteristic <sup>a</sup>	Dataset			Reference clause
		1	2	3	
a	Closing time		X	X	
b	Opening time		X	X	
c	Contact $\Delta t$ within one phase (if applicable)		X	X	
d	Contact $\Delta t$ between phases (if applicable)		X	X	
e	Time-travel curve		X	X	
f	Current trace of open signal		X	X	
g	Current trace of close signal		X	X	
h	Recharge time		X	X	
i	Monitor density switch contacts (if applicable)			X	
j	Resistance test of the main circuit	X			8.3
k	Tightness test (if applicable)	X			8.4
l	Vacuum integrity test (if applicable)	X			8.9
m	Auxiliary and control circuit inspection and test	X			8.2

<sup>a</sup>Not all characteristics are applicable for each type of circuit switcher. The manufacturer shall determine which characteristics are applicable.

### 7.11.4 Mechanical endurance test at ambient air temperature

#### 7.11.4.1 Mechanical endurance CSM1, CSM2, and CSM3 test items and sequences

Follow the corresponding number of operating cycles and test items for CSM1, CSM2, or CSM3 shown in [Table 11](#).

**Table 11 —Test sequence for mechanical endurance**

Step	Description	Operating sequence	Dataset (see <a href="#">Table 10</a> )	Supply voltage	Operating energy	Number of operating sequences		
						CSM1	CSM2	CSM3

1	Pre-test checks	—	1	—	—	—	—	—
2	Pre-test operations	O,C,CO	2	Minimum	Minimum	1	1	1
				Rated	Rated	1	1	1
				Maximum	Maximum	1	1	1
3	Test operation sequence <sup>a</sup>	$C-t_a-O-t_a$	3	Maximum	Rated	100	200	400
		$C-t_a-O-t_a$	3	Minimum	Rated	100	200	400
		$C-t_a-O-t_a$	3	Rated	Rated	1200	4400	8800
		$CO-t_a$	3	Rated	Rated	100	200	400
4	Post-test operations	O,C,CO	2	Minimum	Minimum	1	1	1
				Rated	Rated	1	1	1
				Maximum	Maximum	1	1	1
5	Post-test checks	—	1	—	—	—	—	—
Total number of accumulated test operations <sup>b,c</sup>						1500	5000	10,000

<sup>a</sup> Where  $t_a$  is the intentional test delay between successive operations determined by the manufacturer.

<sup>b</sup> One operation consists of one O and one C.

<sup>c</sup> During the test operation sequence, lubrication is permitted in accordance with the manufacturer's instructions. For CSM1, neither adjustment nor replacement of components and/or sub-assemblies is permitted. For CSM2 and CSM3, adjustment and replacement of defined routine-maintenance items is permitted. The manufacturer shall define routine maintenance in both the test report and instruction book.

#### 7.11.4.2 Mechanical endurance qualification criteria

The mechanical endurance qualification criteria is as follows:

- a) The circuit switcher shall be inspected to verify that all parts, including contacts, shall be in good condition and shall not show undue wear, and that the circuit switcher is in operable condition and meets the requirements set forth in this standard.
- b) The characteristics of a representative number of test operations shall be within their respective tolerances as defined by the manufacturer.
- c) During steps 2 through 4, the circuit switcher operates on command and does not operate without command.
- d) The resistance of the main circuit shall conform to the limits defined by the manufacturer.
- e) The insulating properties of the circuit switcher in the open position shall be in essentially the same condition as before the tests. Visual inspection of the circuit switcher after the tests is usually sufficient for verification of the insulating properties.
- f) Control and auxiliary circuits shall function as intended and successfully complete the power frequency voltage withstand tests.
- g) Gas tightness (if applicable) shall conform to the manufacturer's permitted leakage rate,  $F_p$ .

#### 7.11.4.3 Mechanical endurance test report requirements

##### 7.11.4.3.1 Information for identification of specimens

Subclause 7.2.2 of IEEE Std C37.100.1-2018 is applicable.

##### 7.11.4.3.2 Information to be included in design-test (type-test) reports

Subclause 7.2.3 of IEEE Std C37.100.1-2018 is applicable.



## 7.11.5 Low and high temperature tests

### 7.11.5.1 Test object and conditions

Subclause 4.13.7 of IEEE Std C37.09-2018 is applicable with the exception that all items are applicable for both low and high temperature tests.

### 7.11.5.2 Low temperature test data and sequence

The low temperature test sequence is provided in [Table 12](#) and a diagram of the application of the test sequence items is provided in [Figure 10](#).

**Table 12 — Test sequence for low temperature test**

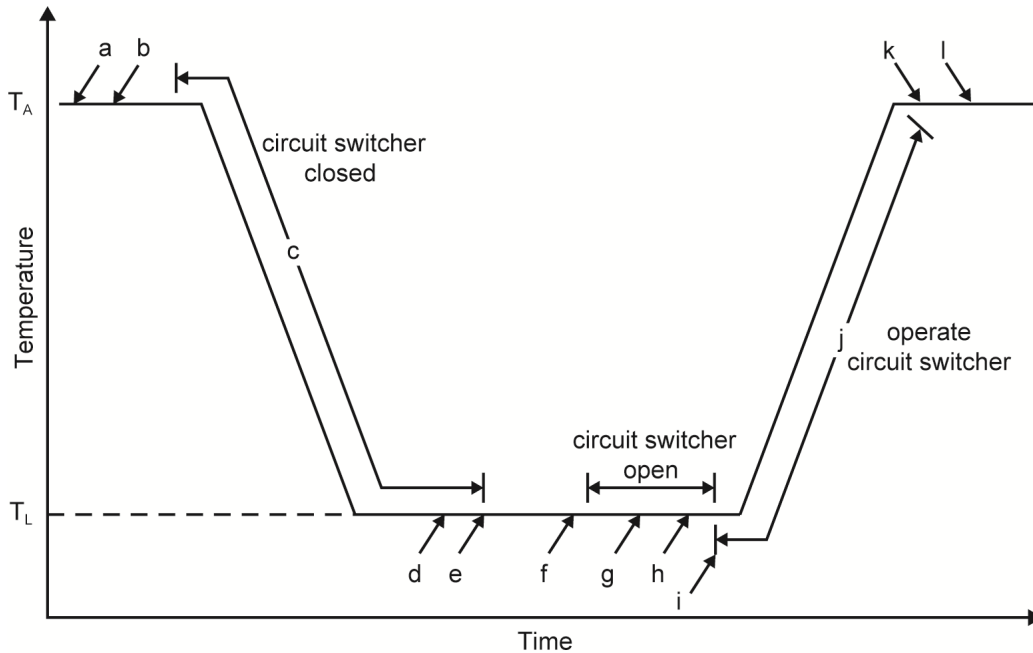
Item	Description	Operating sequence	Dataset (see <a href="#">Table 10</a> )	Supply voltage	Operating energy	Number of operating sequences
a	Pre-test checks	—	1	—	—	—
b	Pre-test operations	O, C, CO	2	Minimum	Rated	2
				Maximum	Rated	2
				Rated	Rated	2
c	Circuit switcher CLOSED – cool down					
d	Tightness test (see subclause 7.8)					
e	Low temperature operations	O, C, CO	3	Rated	Rated	Variable <sup>a</sup>
f <sup>b</sup>	Auxiliary heaters OFF					
	Minimum density operation <sup>c</sup>	O	3	Rated	Rated	0.5
	Auxiliary heaters ON					
g	Circuit switcher OPEN					
h	Tightness test (see subclause 7.8)					
i	Low temperature operations <sup>d</sup>	C–3 min–O	3	Rated	Rated	1
		CO–3 min		Rated	Rated	3
		C– <i>t<sub>a</sub></i> –O– <i>t<sub>a</sub></i>		Rated	Rated	46
j	Increasing temperature operations	C– <i>t<sub>a</sub></i> –O– <i>t<sub>a</sub></i> –C–30 min–O– <i>t<sub>a</sub></i> –C– <i>t<sub>a</sub></i> –O–30 min	3	Rated	Rated	Variable
j <del>k</del>	Post-test operations	O, C, CO	2	Minimum	Rated	2
				Maximum	Rated	2
				Rated	Rated	2
k <del>l</del>	Post-test checks	—	1	—	—	—

<sup>a</sup> Manufacturer shall determine the number of operations necessary to demonstrate low temperature operating characteristics.

<sup>b</sup> For circuit switchers whose gas densities can be controlled by auxiliary heaters, perform this item. For circuit switchers that have no control of gas density, this item shall be skipped.

<sup>c</sup> This operation is performed as the test object approaches the minimum functional density. The intent is to demonstrate acceptable travel characteristics as close as practical to the minimum functional density.

<sup>d</sup> *t<sub>a</sub>* is the intentional test delay between successive operations determined by the manufacturer.



**Figure 10** —Test sequence for low temperature test

- a) Pre-test checks of the assembly shall be made. The tightness test (if applicable) shall determine the initial leak rate,  $F$ .
- b) Pre-test operational characteristics shall be measured and evaluated against the manufacturer's published data. These tests are performed at ambient temperature ( $T_A$ ) between 15 and 25 °C.
- c) With the circuit switcher in the closed position and all heater circuits energized, the test cell temperature shall be decreased to the minimum test temperature ( $T_L$ ). The circuit switcher shall remain in the closed position for 24 hours after the test cell temperature has stabilized at  $T_L$ .
- d) During the final 8 hours of the 24-hour soak at  $T_L$ , a tightness test shall be performed (if applicable).
- e) After 24 hours at  $T_L$ , low temperature operations shall be performed as specified in row e of Table 12.
- f) For circuit switchers whose gas densities can be controlled by auxiliary heaters, perform this item. For circuit switchers that have no control of gas density, this item shall be skipped. With all test object thermocouples and density monitors stabilized, all auxiliary heater circuits are de-energized for two hours. As the test object approaches minimum functional density, perform a single O operation. Record the occurrence of alarm and block operation conditions (if applicable). Record temperature conditions within the mechanism and control enclosures. Re-energize all heater circuits. Record the recovery from block operation and alarm conditions (if applicable). Record the temperature recovery within mechanism and control enclosures.
- g) The circuit switcher shall remain in the open position for 24 hours at  $T_L$ .
- h) During the final 8 hours of the 24-hour soak at  $T_L$ , a tightness test shall be performed (if applicable).
- i) After 24 hours at  $T_L$ , low temperature operations shall be performed.
- j) After completion of the low temperature operations, the test cell temperature shall be increased to ambient temperature at approximately 10 °C per hour. During this time, alternating C- $t_a$ -O- $t_a$ -C-30 min-O- $t_a$ -C- $t_a$ -O-30 min operations shall be performed.
- k) After the circuit switcher has stabilized thermally at ambient temperature, post-test operational characteristics shall be measured and evaluated against the manufacturer's published data as well as the pre-test data.
- l) Post-test checks of the assembly shall be made. The tightness test (if applicable) shall determine the final and overall leak rate,  $F$ .

### 7.11.5.3 High temperature test data and sequence

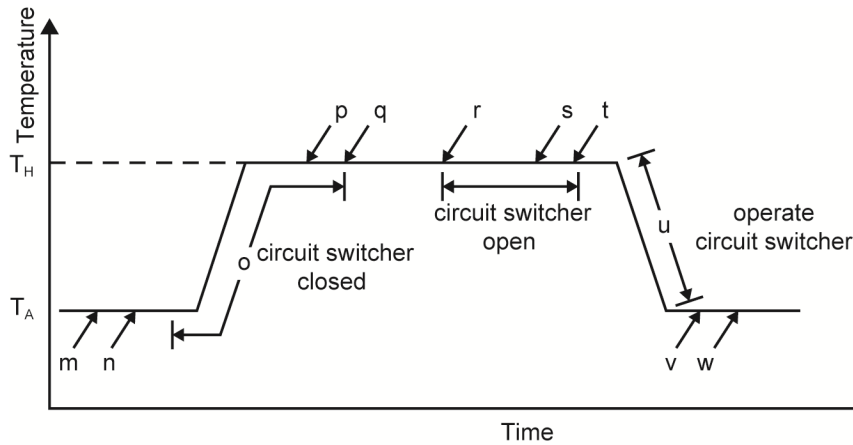
The high temperature test sequence is provided in Table 13 and a diagram of the application of the test sequence items is provided in Figure 11.

**Table 13 —Test sequence for high temperature test**

Item	Description	Operating sequence	Dataset (see Table 10)	Supply voltage	Operating energy	Number of operating sequences
m	Pre-test checks	—	1	—	—	—
n	Pre-test operations	O,C,CO	2	Minimum	Rated	2
				Maximum	Rated	2
				Rated	Rated	2
o	Circuit switcher CLOSED – warm up					
p	Tightness test (see subclause 7.8)					
q	High temperature operations	O,C,CO	3	Rated	Rated	Variable <sup>a</sup>
r	Circuit switcher OPEN					
s	Tightness test (see subclause 7.8)					
t	High temperature operations <sup>b</sup>	C-3 min-O	3	Rated	Rated	1
		CO-3min	3	Rated	Rated	3
		C-t <sub>a</sub> -O-t <sub>a</sub>	3	Rated	Rated	46
u	Decreasing temperature operations	C-t <sub>a</sub> -O-t <sub>a</sub> -C-30 min	3	Rated	Rated	Variable
		O-t <sub>a</sub> -C-t <sub>a</sub> -O-30 min				
v	Post-test operations	O,C,CO	2	Minimum	Rated	2
				Maximum	Rated	2
				Rated	Rated	2
w	Post-test checks	—	1	—	—	—

<sup>a</sup> Manufacturer shall determine the number of operations necessary to demonstrate high temperature operating characteristics.

<sup>b</sup> t<sub>a</sub> is the intentional test delay between successive operations determined by the manufacturer.



**Figure 11 —Test sequence for high temperature test**

- Pre-test checks of the assembly shall be made. The tightness test (if applicable) shall determine the initial leak rate,  $F$ .
- Pre-test operational characteristics shall be measured and evaluated against the manufacturer's published data. These tests are performed at ambient temperature ( $T_A$ ) between 15 and 25 °C.

- c) With the circuit switcher in the closed position, the test cell temperature shall be increased to the maximum test temperature ( $T_H$ ). The circuit switcher shall remain in the closed position for 24 hours after the test cell temperature has stabilized at  $T_H$ .
- d) During the final 8 hours of the 24-hour soak at  $T_H$ , a tightness test shall be performed (if applicable).
- e) After 24 hours at  $T_H$ , high temperature operations shall be performed as specified in row q of Table 13.
- f) The circuit switcher shall remain in the open position for 24 hours at  $T_H$ .
- g) During the final 8 hours of the 24-hour soak at  $T_H$ , a tightness test shall be performed (if applicable).
- h) After 24 hours at  $T_H$ , high temperature operations shall be performed as specified in row t of Table 13.
- i) After completion of the high temperature operations, the test cell temperature shall be decreased to ambient temperature at approximately 10 °C per hour. During this time, alternating C- $t_a$ -O- $t_a$ -C-30 min-O- $t_a$ -C- $t_a$ -O-30 min operations shall be performed.
- j) After the circuit switcher has stabilized thermally at ambient temperature, post-test operational characteristics shall be measured and evaluated against the manufacturer's published data as well as the pre-test data.
- k) Post-test checks of the assembly shall be made. The tightness test (if applicable) shall determine the final and overall leak rate,  $F$ .

#### 7.11.5.4 Low and high temperature qualification criteria

The low and high temperature qualification criteria is as follows:

- a) The characteristics of all test operations shall be within their respective tolerances as defined by the manufacturer.
- b) During the tests, the circuit switcher operates on command and does not operate without command.
- c) The resistance of the main circuit shall conform to the limits defined by the manufacturer.
- d) Control and auxiliary circuits shall function as intended and successfully complete the power frequency voltage withstand test.
- e) Gas tightness (if applicable) shall conform to the manufacturer's permitted leakage rate,  $F_p$ .
  - The low temperature leakage rate shall be less than or equal to  $3 \times F_p$  for circuit switchers tested as low as -40 °C and shall be less than or equal to  $6 \times F_p$  for circuit switchers tested between -40 °C and -50 °C.
  - The high temperature leakage rate shall be less than or equal to  $3 \times F_p$ .
- f) At low temperature, auxiliary heaters (if applicable) are sufficient to enable operation of the circuit switcher when uninterrupted auxiliary power is available.
- g) At low temperature, after two hours of auxiliary power interruption, resumption of auxiliary power enables unrestricted operation of the circuit switcher after recovery.

#### 7.12 Ice-loading test

Subclause 8.5 of IEEE Std C37.30.1-2011 is applicable with the following revisions:

- The test under ice loading conditions is applicable only to outdoor circuit switchers that have moving external parts.
- Opening and closing shall perform successfully on each attempted operation since circuit switchers have a short-circuit making and breaking rating.

- Operations shall be performed under power operation using the rated values of control voltages and operating mechanism pressures.

## 7.13 Static terminal load test

### 7.13.1 General

The static terminal load test is performed to demonstrate that the circuit switcher operates correctly when loaded by stresses resulting from ice, wind, and connected conductors. Preferred rated static terminal pad loads are given in [Table 6](#).

The tensile force due to the connected conductors is assumed to act at the center of the bolt hole pattern on the terminal pad or the center of the terminal stud.

### 7.13.2 Tests

The tests shall be made on at least one complete pole of the circuit switcher.

Tests shall be made separately for  $F_{shA}$  and  $F_{shB}$  and  $F_{sv}$  according to the ratings assigned. See [Figure 8](#).

- $F_{shA}$  shall be applied to each terminal pad simultaneously. The test shall be repeated with the direction of the force reversed.
- $F_{shB}$  shall be applied to each terminal pad simultaneously. The test shall be repeated with the direction of the force reversed.
- $F_{sv}$  shall be applied to each terminal pad simultaneously.

Two operating cycles shall be performed for each of the specified terminal load tests above in this subclause. Measurements shall be taken to demonstrate proper mechanical operation as specified in [Table 10](#) dataset 2. The condition of the circuit switcher after the test shall be as specified in [7.11.4.2 a\)](#). The circuit switcher shall open and close fully within the mechanical operating tolerance set by the manufacturer.

## 7.14 Short-circuit current making and breaking tests

### 7.14.1 General

The short-circuit current ~~interrupting~~~~breaking~~ rating of a circuit switcher is demonstrated by a series of tests. These tests demonstrate the rated short-circuit current and the related required capabilities of the circuit switcher for applications in either effectively and non-effectively grounded systems.

The test duties used to demonstrate the performance of a circuit switcher are listed in [Table 1](#), where the test parameters are identified as follows:

- a) For test voltage  $E$  for all ~~test~~ duties

$E = \frac{k_{pp}}{\sqrt{3}} \times U_r$ , ~~for single-phase tests in substitution for three-phase~~ the power frequency recovery voltage during breaking tests, or

$$E = \frac{k_{pp}}{\sqrt{3}} \times U_r \quad (2)$$

$E = \frac{U_r}{\sqrt{3}}$ , ~~for three-phase test; the applied voltage during single-phase making tests on a three-pole circuit switcher~~

$$E = \frac{U_r}{\sqrt{3}} \quad (3)$$

where

$k_{pp}$  is the first pole to clear factor  
 $U_r$  is the rated maximum voltage.

- Test current is equal to either the rated ~~primary-bus fault breakingshort-circuit interrupting~~ current ( $I_{pbf}$ ) or the rated transformer-limited fault breaking current ( $I_{tf}$ ), depending on the test duty.
- Making current peak factor,  $F$ , is equal to 2.6 for 60 Hz or 2.5 for 50 Hz.

**Table 14 —Single-phase or three-phase test duties for short-circuit current tests**

Test duty	Operating duty	Test voltage (kV)	Making current (kA peak)	Short-circuit current (kA)	% Asymmetry at contact part
TLF <del>1</del>	Three Os	E		$I_{tf}$	< 20
TLF2PBF60	<del>Three Os</del> Three Os	<del>E</del> E		<del><math>I_{tf}</math></del> $0.6 I_{pbf}$	<del>&lt; 20</del> < 20
PBF60	Three Os	E		$0.6 I_{pbf}$	< 20
PBF100s	Three COs	E	$F \times I_{pbf}$	$I_{pbf}$	< 20
PBF100s(a)	Two Cs	E	$F \times I_{pbf}$		< 20
PBF100s(b)	Three Os	E		$I_{pbf}$	< 20
PBF100a <sup>a</sup>	Three Os	E		See 7.14.4.5	> 20
Single-phase fault tests					
T100s 1ph <sup>b</sup>	O	$U_r/\sqrt{3}$		$I_{pbf}$	< 20
T100a 1ph <sup>b</sup>	O	$U_r/\sqrt{3}$		See 7.14.4.6	> 20

<sup>a</sup>Only if required. See 7.14.4.5.

<sup>b</sup>Only if required. See 7.14.4.6.

## 7.14.2 Test conditions

### 7.14.2.1 Power factor

Subclause 4.8.2.1 of IEEE Std C37.09-2018 is applicable.

### 7.14.2.2 Frequency of test circuit

Subclause 4.8.2.2 of IEEE Std C37.09-2018 is applicable.

### 7.14.2.3 Demonstration of arcing time

Subclause 4.8.2.3 of IEEE Std C37.09-2018 is applicable for circuit switcher test duties TLF, PBF60, PBF100s, and PBF100a by substituting the circuit switcher test duties for the circuit breaker test duties.

### 7.14.2.4 Recovery voltage

Subclause 4.8.2.4 of IEEE Std C37.09-2018 is applicable by substituting the text in paragraph b) with the following:

- b) TRV: The inherent TRV of the test circuit shall meet or exceed the rated envelopes as defined in 5.13 and 5.15. The rated envelopes are required for rated symmetrical short-circuit currents. For short-circuit currents other than rated, the envelope shall be adjusted to establish the capabilities as stated in 0.

#### **7.14.2.5 Initial TRV test conditions**

Subclause 4.8.2.6 of IEEE Std C37.09-2018 is applicable.

#### **7.14.2.6 Control voltage**

Subclause 4.8.2.7 of IEEE Std C37.09-2018 is applicable.

#### **7.14.2.7 Operating conditions**

Subclause 4.8.2.8 of IEEE Std C37.09-2018 is applicable.

#### **7.14.2.8 Conditions during single-pole tests and unit tests**

Subclause 4.8.2.9 of IEEE Std C37.09-2018 is applicable.

#### **7.14.2.9 Grounding of the circuit switcher and test circuit**

Subclause 4.8.2.10 of IEEE Std C37.09-2018 is applicable.

#### **7.14.2.10 Reversal of test connections**

Subclause 4.8.2.11 of IEEE Std C37.09-2018 is applicable.

### **7.14.3 Test methods**

Subclause 4.8.3 of IEEE Std C37.09-2018 is applicable with the exception that Table 14 of this standard be substituted for Table 1 of IEEE Std C37.09-2018.

### **7.14.4 Test duties**

#### **7.14.4.1 General**

The basic short-circuit test series shall consist of tests for rated transformer-limited fault current (test duty TLF) and for rated ~~primary-bus-fault-breakingshort-circuit breaking~~ current (test duties PBF60, PBF100s, and PBF100a). See Table 14 for list of test duties and requirements.

#### **7.14.4.2 Test duty TLF**

Test duty TLF consists of three opening operations at the rated transformer-limited fault current with a dc component of less than 20% and a TRV as specified in 5.15.

#### **7.14.4.3 Test duty PBF60**

Test duty PBF60 consists of three opening operations at 60% of the rated ~~primary-bus-fault-breakingshort-circuit breaking~~ current with a dc component of less than 20% and a TRV as specified in 5.13. If the PBF60 current is less than 1.5 times the rated transformer-limited fault current, then the test duty may be omitted.

#### 7.14.4.4 Test duty PBF100s

Test duty PBF100s consists of three CO operating sequences at 100% of the rated ~~primary-bus fault breakingshort-circuit breaking~~ current with a dc component of less than 20% and a TRV as specified in 5.13. The minimum time between the operating sequences shall be specified by the manufacturer and noted in the test report. When the rated short-circuit making current is greater than the rated ~~primary-bus fault breakingshort-circuit breaking~~ current, then the making current for test duty PBF100s shall be based on the rated ~~primary-bus fault breakingshort-circuit breaking~~ current taking the peak current ratios as given in 5.7.

#### 7.14.4.5 Test duty PBF100a

Test duty PBF100a shall be applied only to circuit switchers that have a time interval equal to the minimum opening time  $T_{op}$  of the circuit switcher, as stated by the manufacturer, plus one half-cycle of rated power frequency  $T_f$  such that the dc component at the instant of contact separation is greater than 20% (see 5.12.2).

Test duty PBF100a consists of three opening operations at 100% of the rated ~~primary-bus fault breakingshort-circuit breaking~~ current with a percentage dc component equal to the appropriate rated value and the related prospective transient and power-frequency recovery voltages. The minimum time between the operating sequences shall be specified by the manufacturer and noted in the test report.

#### 7.14.4.6 Single-phase tests

Subclause 4.8.4.5 of IEEE Std C37.09-2018 is applicable with the exception that Table 14 of this standard shall be substituted for Table 1 of IEEE Std C37.09-2018.

These single-phase test duties are not required if test duties T100s and T100a are performed by single-phase tests in substitution for three-phase tests (per C37.09 4.8.2.3.5).

### 7.14.5 Short-circuit making current

#### 7.14.5.1 General

The ability of the circuit switcher to make the rated short-circuit making current is proven in test duty PBF100s (see 7.14.4.4) when the rms symmetrical value of the rated short-circuit making current is equal to the rated ~~primary-bus fault breakingshort-circuit breaking~~ current. When the rms symmetrical value of the rated short-circuit making current exceeds the rated ~~primary-bus fault breakingshort-circuit breaking~~ current, the following apply:

- The closing operations in test duty PBF100s shall be performed at the rated ~~primary-bus fault breakingshort-circuit breaking~~ current.
- The test procedures for the closing operations described in PBF100s shall be separately performed at the rated short-circuit making current on a test sample that has been preconditioned by performing the opening operations described in PBF60. If it is evident or if it can be proven that the short-circuit making current is not influenced by conditioning, the short-circuit making test may be performed on a new sample.

The circuit switcher shall be able to make the current with the prestrike of the arc occurring at any point on the voltage wave consistent with its prestrike characteristics. Two extreme cases are specified as follows:

- Making at the peak of the voltage wave, leading to a symmetrical short-circuit current and the longest prestriking arc
- Without prestriking, for circuit switchers capable of closing at the zero of the voltage wave leading to a fully asymmetrical short-circuit current



### 7.14.5.2 Applied voltage before short-circuit making tests

For short-circuit making tests the applied voltage shall be as follows:

- a) For three-phase tests on a three-pole circuit switcher, the average value of the applied voltages shall not be less than the rated maximum voltage  $U_r/\sqrt{3}$  and shall not exceed this value by more than 5% without the consent of the manufacturer.
- b) The differences between the average value and the applied voltages of each pole shall not exceed 5%.
- c) For single-phase tests on a three-pole circuit switcher, the applied voltage shall not be less than the phase-to-ground value  $U_r/\sqrt{3}$  and shall not exceed this value by more than 10% without the consent of the manufacturer.

NOTE—With the manufacturer's consent, it is permissible, for convenience of testing, to apply a voltage equal to the product of the phase-to-ground voltage and the first pole-to-clear factor (1.3 or 1.5) of the circuit switcher.

### 7.14.5.3 Test procedure

The test procedure as outlined in 7.14.5.3.1 and 7.14.5.3.2 aims to demonstrate the ability of the circuit switcher to fulfill the following two requirements:

- a) The circuit switcher can close against a symmetrical current as a result of the pre-arcing commencing at a peak of the applied voltage. This current shall be the symmetrical component of the rated short-circuit making current (see 5.16).
- b) The circuit switcher consistent with its prestrike characteristics can close against a circuit with an available fully asymmetrical short-circuit current equal to the related peak of the rated short-circuit making current (see 5.16).

A circuit switcher shall be able to operate below its rated maximum voltage at voltages that may reduce the prestrike and allow fully asymmetrical current. The lower limit of voltage, if any, shall be stated by the manufacturer.

#### 7.14.5.3.1 Three-phase tests

##### 7.14.5.3.1.1 Requirements when rms symmetrical value of the short-circuit making current is equal to rated ~~primary-bus fault breakingshort-circuit breaking~~ current

For three-phase tests on a three-pole circuit switcher, it is assumed that the requirements outlined in requirements a) and b) in 7.14.5.3 are adequately demonstrated during test duty PBF100s when the rated short-circuit making current is equal to the rated ~~primary-bus fault breakingshort-circuit breaking~~ current.

When the prestrike characteristics of the circuit switcher permits zero voltage closing, the control of the timing shall be such that, in at least one of the three CO operations of test duty PBF100s, the related peak of the rated short-circuit making current or rated ~~primary-bus fault breakingshort-circuit breaking~~ current is obtained.

Where a circuit switcher exhibits pre-arcing to such an extent that the related peak of the rated short-circuit making current or rated ~~primary-bus fault breakingshort-circuit breaking~~ current is not attained during the three CO operations of test duty PBF100s, a fourth closing operation shall be carried out at reduced voltage. Before this operation, the circuit switcher may be reconditioned.

In some cases, due to the prestriking characteristics of the circuit switcher, it is not always possible to reach the peak current value. In such cases, the current shall be considered satisfactory if the prospective peak

current of the test circuit is equal to or greater than the related peak of the rated short-circuit making current or rated ~~primary-bus fault breakingshort-circuit breaking~~ current.

#### **7.14.5.3.1.2 Requirements when rms symmetrical value of the short-circuit making current is greater than rated ~~primary-bus fault breakingshort-circuit breaking~~ current**

When the rated short-circuit making current is greater than the rated ~~primary-bus fault breakingshort-circuit breaking~~ current, the circuit switcher must adequately demonstrate the requirements outlined in requirements a) and b) in 7.14.5.3. Since the circuit switcher can be assigned a one-time duty-cycle closing rating and the requirements in 7.14.5.3 may not be met with one operation, additional closing operations on a reconditioned circuit switcher may be necessary.

#### **7.14.5.3.2 Single-phase tests**

##### **7.14.5.3.2.1 Requirements when rms symmetrical value of the short-circuit making current is equal to rated ~~primary-bus fault breakingshort-circuit breaking~~ current**

For single-phase tests, test duty PBF100s shall be carried out in such a way that requirement a) in 7.14.5.3 is met on two of the operations and requirement b) is met on the third closing operation. The sequence of these operations is not specified. If during test duty PBF100s, one of the requirements a) and b) has not been adequately demonstrated, an additional closing operation is necessary. It may be made with a reconditioned circuit switcher.

The additional closing operation shall, depending on the results obtained during the normal test duty PBF100s, demonstrate either of the following:

- Requirement a) or b) in 7.14.5.3 has been met.
- Evidence that the short-circuit making currents attained are representative of the conditions to be met in service due to the pre-arcing characteristics of the circuit switcher.

If, during test duty PBF100s, the rated short-circuit making current has not been attained due to the characteristics of the circuit switcher, the additional closing test may be made at a lower applied voltage.

If, during test duty PBF100s, no symmetrical current has been obtained, as in requirement a) in 7.14.5.3, the additional closing test may be made at an applied voltage within the margins stated in 7.14.5.2.

##### **7.14.5.3.2.2 Requirements when rms symmetrical value of the short-circuit making current is greater than rated ~~primary-bus fault breakingshort-circuit breaking~~ current**

When the rated short-circuit making current is greater than the rated ~~primary-bus fault breakingshort-circuit breaking~~ current, the circuit switcher must adequately demonstrate the requirements outlined in requirements a) and b) in 7.14.5.2. Since the circuit switcher can be assigned a one-time duty-cycle closing rating and the requirements in 7.14.5.2 may not be met with one operation, additional closing operations on a reconditioned circuit switcher may be necessary.

#### **7.14.6 Condition of circuit switcher tested**

##### **7.14.6.1 General**

Subclause 4.8.6.1 of IEEE Std C37.09-2018 is applicable.

##### **7.14.6.1.1 Circuit breaker test samples**

Subclause 4.8.6.2 of IEEE Std C37.09-2018 is applicable.

#### **7.14.6.2 Circuit switcher operating characteristics prior to test initiation**

Subclause 4.8.6.3 of IEEE Std C37.09-2018 is applicable.

#### **7.14.6.3 Reconditioning of circuit switcher during testing**

The expendable parts of a circuit switcher may be replaced during a test series. The manufacturer shall provide a statement to the testing laboratory of the parts that may be replaced during the tests.

#### **7.14.6.4 Circuit switcher operating characteristics after test**

Subclause 4.8.6.5 of IEEE Std C37.09-2018 is applicable.

#### **7.14.6.5 Condition of circuit switcher after test**

Subclause 4.8.6.6 of IEEE Std C37.09-2018 is applicable with the exception that item c) in IEEE Std C37.09-2018 shall be replaced with the following:

- a) The circuit switcher shall be checked dielectrically using the voltage condition-checking test according to subclause 7.2.11.

### **7.15 Capacitor switching**

#### **7.15.1 Characteristics of the capacitive circuit to be switched**

Subclause 4.4 of IEEE Std C37.100.2-2018, is applicable.

#### **7.15.2 Characteristics of supply circuits**

Subclause 4.5 of IEEE Std C37.100.2-2018, is applicable.

#### **7.15.3 Test current**

Subclause 4.6 of IEEE Std C37.100.2-2018, is applicable.

#### **7.15.4 Preconditioning for Class C2**

Subclause 4.7 of IEEE Std C37.100.2-2018, is applicable.

#### **7.15.5 Test programs**

For circuit switchers where the parting of the interrupting contacts can be controlled, subclause 4.8 of IEEE Std C37.100.2-2018, is applicable. For circuit switchers where parting of the interrupter contacts is random, subclause 4.9 of IEEE Std C37.100.2-2018, is applicable.

#### **7.15.6 Common criteria to pass the capacitance switching tests**

Subclause 4.10 of IEEE Std C37.100.2-2018, is applicable.

### **7.16 Design tests on pressurized components**

Subclause 4.17 of IEEE Std C37.09-2018 is applicable.

## 8. Production tests

### 8.1 General

Production tests are normally made by the manufacturer at the factory as part of the process of producing the circuit switcher. If the circuit switcher is completely assembled prior to shipment, some of the production tests are made after final assembly, but other tests can often be made more effectively on components and subassemblies during or after manufacture. If the circuit switcher is not completely assembled at the factory prior to shipment, appropriate tests on component parts shall be made to check the quality of workmanship and uniformity of material used and to ensure satisfactory performance when properly assembled at its destination. This performance may be verified by making tests after delivery.

Production tests shall be made and shall include the following as appropriate for the type of circuit switcher concerned:

- a) Dielectric test on the main circuit in accordance with [8.2](#)
- b) Inspection and testing of auxiliary and control circuits in accordance with [8.3](#)
- c) Measurement of the resistance of the main circuit in accordance with [8.4](#)
- d) Tightness test in accordance with [8.5](#)
- e) Design and visual checks in accordance with [8.6](#)
- f) Mechanical operations test in accordance with [8.7](#)
- g) Timing tests in accordance with [8.8](#)
- h) Gas system pressure tests in accordance with [8.9](#)
- i) Vacuum integrity tests in accordance with [8.10](#)

Test reports of the routine tests are normally not necessary unless otherwise agreed upon between manufacturer and user.

### 8.2 Dielectric test on the main circuit

Power-frequency withstand voltage tests shall be made for one minute at the voltages specified in [Table 1](#) in compliance with [7.2.1](#). Tests shall be performed on the main circuit of completely assembled circuit switchers. Insulation formed by solid core insulators or by air at ambient pressure, such as air-insulated disconnect gaps, does not need to be tested.

### 8.3 Inspection and testing of auxiliary and control circuits

#### 8.3.1 Resistors, heaters, and coils check tests

Subclause 5.8 of IEEE Std C37.09-2018 is applicable.

#### 8.3.2 Auxiliary and control circuit check tests

Subclause 5.9 of IEEE Std C37.09-2018 is applicable.

#### 8.3.3 Dielectric test on auxiliary and control circuits

Subclause 5.16 of IEEE Std C37.09-2018 is applicable.

#### **8.4 Measurement of resistance of main circuit**

Subclause 8.4 of IEEE Std C37.100.1-2018 is applicable.

#### **8.5 Tightness test**

Subclause 8.5 of IEEE Std C37.100.1-2018 is applicable.

#### **8.6 Design and visual checks**

The Subclause 8.6 of IEEE Std C37.100.1-2018, and subclause 5.5 of IEEE Std C37.09-2018 are applicable.

#### **8.7 Mechanical operation tests**

Subclause 5.11 of IEEE Std C37.09-2018 is applicable.

#### **8.8 Timing tests**

Subclause 5.12 of IEEE Std C37.09-2018 is applicable.

#### **8.9 Gas system pressure tests**

Subclause 5.4 of IEEE Std C37.09-2018 is applicable.

#### **8.10 Vacuum integrity tests**

Subclause 5.7 of IEEE Std C37.09-2018 is applicable.

## **Annex A**

(informative)

### **Bibliography**

Bibliographical references are resources that provide additional or helpful material but do not need to be understood or used to implement this standard. Reference to these resources is made for informational use only.

[B1] IEC 60695-1-10, Fire hazard testing—Part 1-10: Guidance for assessing the fire hazard of electrotechnical products—General guidelines.

[B2] IEEE Std C37.011™, IEEE Application Guide for Transient Recovery Voltage for AC High-Voltage Circuit Breakers.

[B3] IEEE Std C37.20.2™, IEEE Standard for Metal-Clad Switchgear.

# \* Request Membership

C37.016 Working Group Meeting Sign-In Sheet [2023-10-09]

By choosing to attend and sign in to this meeting, you acknowledge and agree that your personal data will be documented for IEEE standards development purposes to comply with policies and procedures, legal and accreditation requirements, and evaluation of patent claims by patent offices. IEEE must capture your personal data for these purposes, and will provide information about activities related to standards development groups in which you participate. IEEE standards development participation is documented through various methods, e.g., rosters, submission documents, email reflectors, records of meeting attendance, responses to ballots, publicly available participation lists, and declaration of affiliations. See the IEEE Privacy Policy at <https://www.ieee.org/security-privacy.html>.

Name	Employer	Name	Employer	Other Affiliations
* Kirk Smith	Retired	SEAN GUIDRY	OMICRON Electronics	
Isaac Saunders	Meiden	VTOURS	Siemens Energy	
<del>Isaac Saunders</del>	<del>MEIDEN</del>	DARIN JENSEN	SOUTHERN STATES	
Mark Peterson	Xcel Energy	Chunning Ma	Burns & McDonnell	
ANDY BECKEL	XCEL ENERGY	* Carl Schuetz	ATC	
Sudarshan Byreddy	Burns & McDonnell	ANDREW CHOVANEC	POWER GRID COMPONENTS	
Michelle Antantis	Duquesne Light	VICTOR HERMOSILLO	GE Grid Solutions	
Vincent Marshall	Southern Company	Dan Schifflauer	Toshiba	
Fever Mihretu	PG&E	Bill Hurst	GE Grid Solutions	
Elias Panos	PG&E	Pedro Castillo	ABB	
Brian Berner	Power Grid Comp.	Gen Santulli	IEEE SA	
JOHN WEBB	ABB	Amy Rawell	Schneider Electric	
DAN BENEDICT	PPL	Anne Miller	Tcl	
Jeff Jordan	Southern States	Leo Lopez	Wika	
Frank Richb	Southern Transmission	Fernando Ordein	Dominion Energy	
JONATHAN BERGE	OK GAS & ELEC	Yong Woo Lee	KERI	
MAURICIO GONZALEZ	AVANGRID	SANKET BOGAR	ONCOR	
SHAH JAMAL	AVANGRID	KOUSTUBH ASHTEKAR	JST Power Eq Inc	
Matt Westerdale	Bureau of Reclamation	PETE MARZEC	SUC ELECTRIC CO.	
MIRKO PALAZZO	HITACHI ENERGY	Chris French	Beta Engineering	
John Tarleton	Southern States	* Todd J. Lavin	GE	
Steve May	Southern Company	* ERIC POLCHINSKI	MEPPI	
Chris Jarniger	Southern Company	* Thomas Andy Keels	KEE Electric Engineering, PLLC	
JASON CUNNINGHAM	SOUTHERN STATES	* Victor Sarullak	KEMA	
* Patrick D. Lillo	COMED OF NY	* Francois TRICHON	Schneider Electric	
Brian Roberts	Southern States	* JAN WELKER	SIEMENS ENERGY	
DAVID MITCHELL	Southern States	* Casey Weeks	Siemens Energy	
Stephanie Montoya	MKI			

CHECK DENOTES MEMBERSHIP REQUEST