

# Proposal for a new Switchgear subcommittee

Switchgear ADSCOM Meeting

April 2017

# Switchgear Committee Activities

- Create & Maintain IEEE switchgear Standards
  - Standard, guides and recommended practices
- Recognize Contributions of members
- Organize Technical Sessions
- Prepare and Review Technical Papers
- Further the Art of power engineering

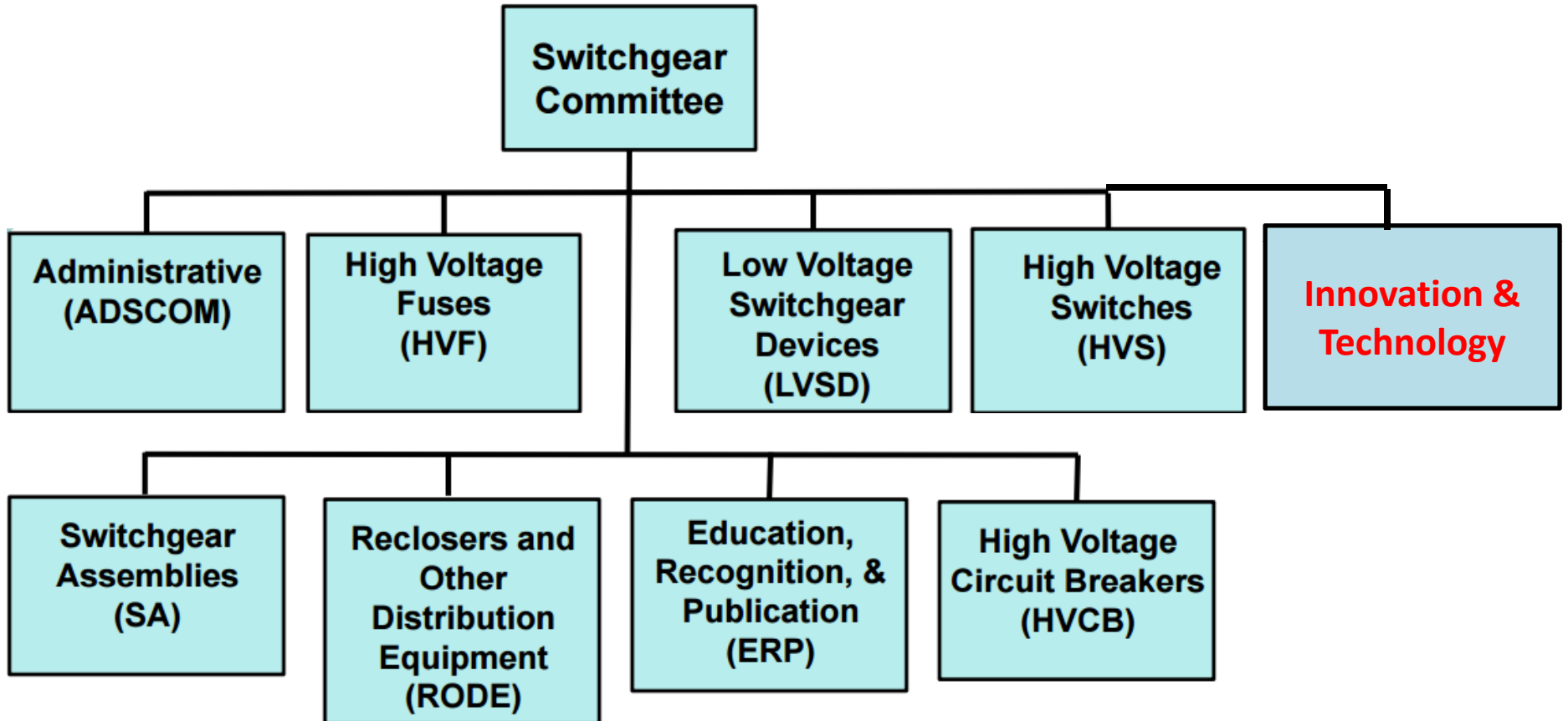
# Switchgear Committee Activities

- Create & Maintain IEEE switchgear Standards
  - Standard, guides and recommended practices
- Recognize Contributions of members
- Organize Technical Sessions
- Prepare and Review Technical Papers
- Further the Art of power engineering

# Observations:

- Very few papers written and published
- RODE experience in last 10 years:
  - Hard to get commitments to work on the task force. Also, missing expertise.
- Struggling to find home for cross-subcommittees TF (visible break, alternative gases)
- Focus has been creating standards not new and novel approaches

# Proposal



# Action items from 2016 Fall meeting

- Review Switchgear Committee O&P Manual
- Draft the T&I subcommittee charter
- Present at Spring 2017 ADSCOM meeting

# Charter

- Addresses innovation and new technologies within the scope of Switchgear Committee
- Performs research needed at the front end of the standard development (similar to CIGRE to IEC standards)
- Actively collaborates with Switchgear sub-committees and relevant groups in other committees. (think Alternative Gases TF)
- Actively collaborates with outside organizations (like CIGRE A3 committee, CIRED, EPRI, NEETRAC, NSF)
- Support development of IEEE Transaction Papers

# Benefits

- Technology push: Being proactive, on the cutting edge of the technology, rather than being reactive. (example: alternative gases).
- Market pull: Better understand rapidly changing power system and impact on switchgear (example: TRVs on PV inverters during load switching)
- Attract researchers (universities, researchers, etc...) and create technical content.
- Improve collaboration between different groups



# The precedent exists



Power System Operation, Planning and Economics (PSOPE) Committee



HOME OFFICERS SUBCOMMITTEES NEWS MEETING MINUTES RESOURCES CALENDAR

Search this site



Email List

HOME / SUBCOMMITTEES

## SUBCOMMITTEES

The PSOPE Committee includes five subcommittees:

- [Bulk Power System Operation Subcommittee](#)
- [Bulk Power System Planning Subcommittee](#)
- [Distribution System Planning and Operations Subcommittee](#)
- [Power System Economics Subcommittee](#)
- [Technologies and Innovations Subcommittee](#)

# Deliverables

- Technical Reports
- Transaction papers
- Tutorials

# Motion

- Include the following text in Switchgear O&P manual
  - **Facilitates** and **conducts** research related to Switchgear, Circuit breakers and Fuses that are covered under IEEE switchgear standards. The need for innovations arises because of the changing business environment and technology offerings.
  - **Develops** technical reports and makes recommendations for further advancement of IEEE switchgear standards.
  - **Coordinates** with other technical committees, groups, societies, and associations as required.