

Proposal for a new Switchgear subcommittee

Switchgear ADSCOM Meeting
October 2016, Pittsburgh

Switchgear Committee Activities

- Create & Maintain IEEE switchgear Standards
 - Standard, guides and recommended practices
- Recognize Contributions of members
- Organize Technical Sessions
- Prepare and Review Technical Papers
- Further the Art of power engineering

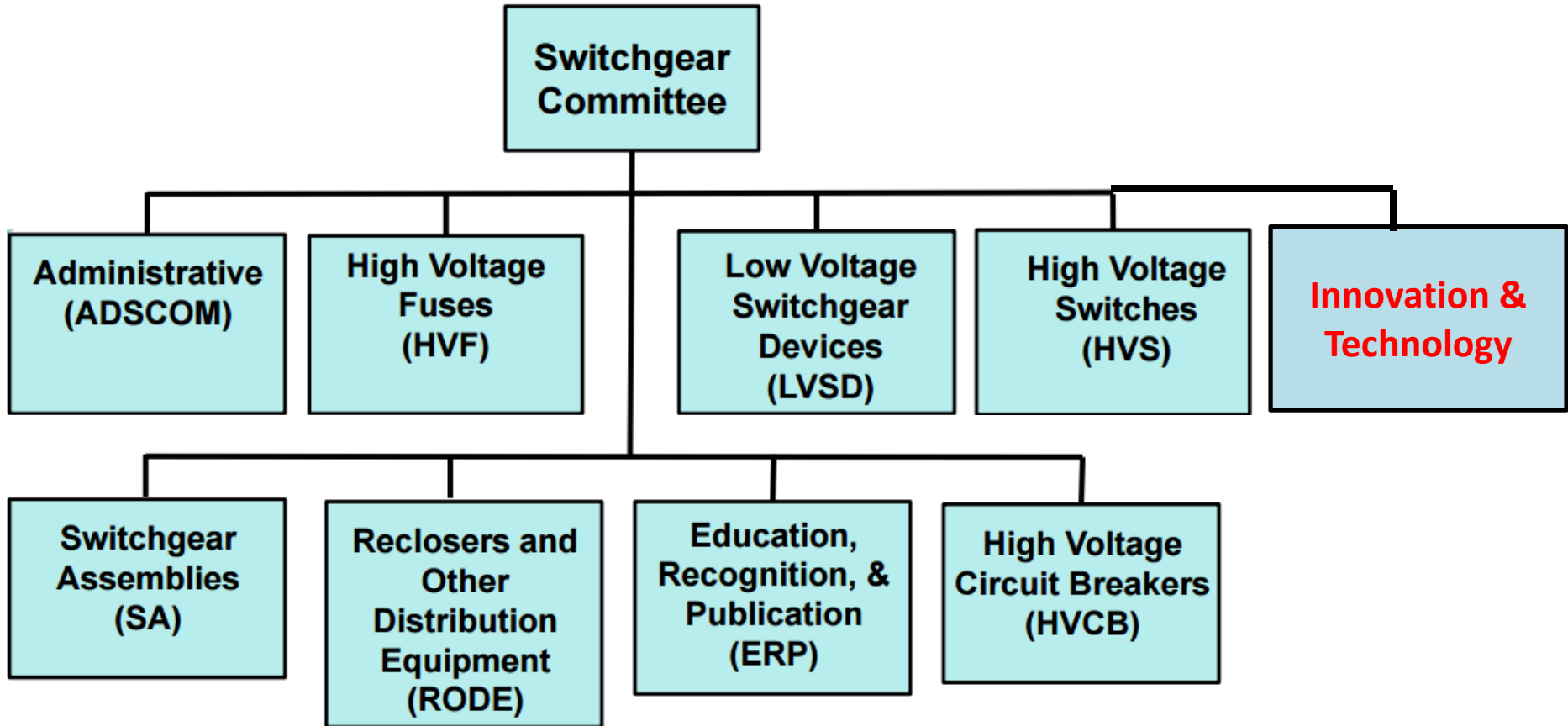
Switchgear Committee Activities

- Create & Maintain IEEE switchgear Standards
 - Standard, guides and recommended practices
- Recognize Contributions of members
- Organize Technical Sessions
- Prepare and Review Technical Papers
- Further the Art of power engineering

Observations:

- Very few papers written and published
- RODE experience in last 10 years:
 - Hard to get commitments to work on the task force. Also, missing expertise.
- Struggling to find home for cross-subcommittees TF (visible break, alternative gases)
- Focus has been creating standards not new and novel approaches

Proposal



Charter

- Addresses innovation and new technologies within the scope of Switchgear Committee
- Performs research needed at the front end of the standard development (similar to CIGRE to IEC standards)
- Actively collaborates with Switchgear sub-committees and relevant groups in other committees. (think Alternative Gases TF)

Benefits

- Create home and provide visibility for the research activities
- Attract experts outside the existing pool (universities, researchers, etc)
- Create new knowledge – publish technical reports, white papers, tutorials
- Improve collaboration between different groups

The precedent exists



Power System Operation, Planning and Economics (PSOPE) Committee



[HOME](#)

[OFFICERS](#)

[SUBCOMMITTEES](#)

[NEWS](#)

[MEETING MINUTES](#)

[RESOURCES](#)

[CALENDAR](#)

Search this site



[Email List](#)

[HOME](#) / [SUBCOMMITTEES](#)

SUBCOMMITTEES

The PSOPE Committee includes five subcommittees:

- [Bulk Power System Operation Subcommittee](#)
- [Bulk Power System Planning Subcommittee](#)
- [Distribution System Planning and Operations Subcommittee](#)
- [Power System Economics Subcommittee](#)
- [Technologies and Innovations Subcommittee](#)

Recommendation

- Review Switchgear Committee O&P Manual
- Reach out to PSOPE committee
- Draft the T&I subcommittee charter
- Present at Spring 2016 ADSCOM meeting

Questions