





WELCOME
to the
IEEE/PES
Switchgear Committee
Fall 2012 Meeting
San Diego, CA

1



Welcome to **San Diego!**

- Orientation - Welcome
 - Newcomers
 - AND ...
 - Experienced Veterans!
- Decoding the “C37” maze
- Ted Olsen, Vice Chair
Switchgear Committee



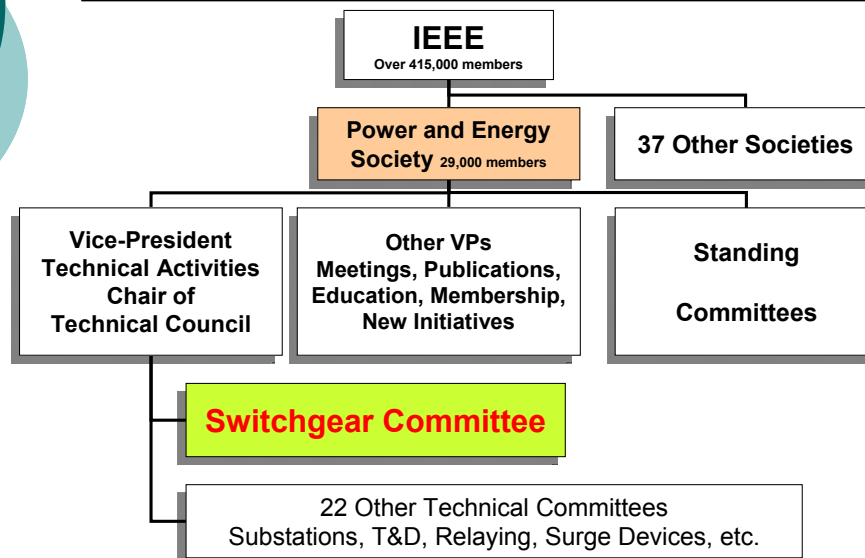
2

Topics of Discussion

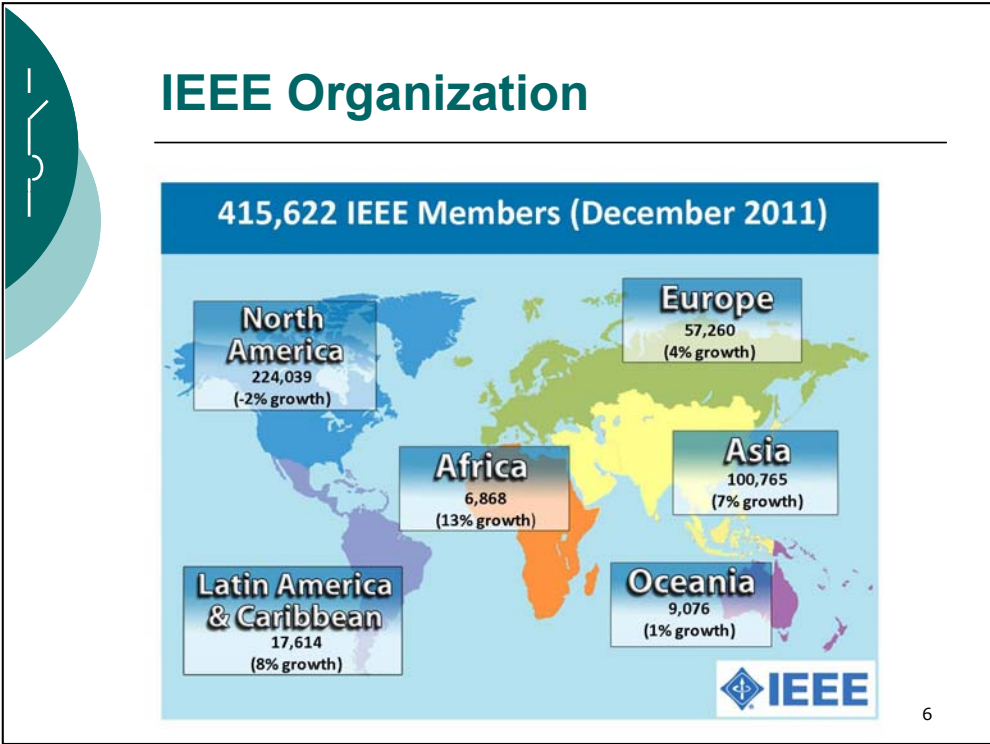
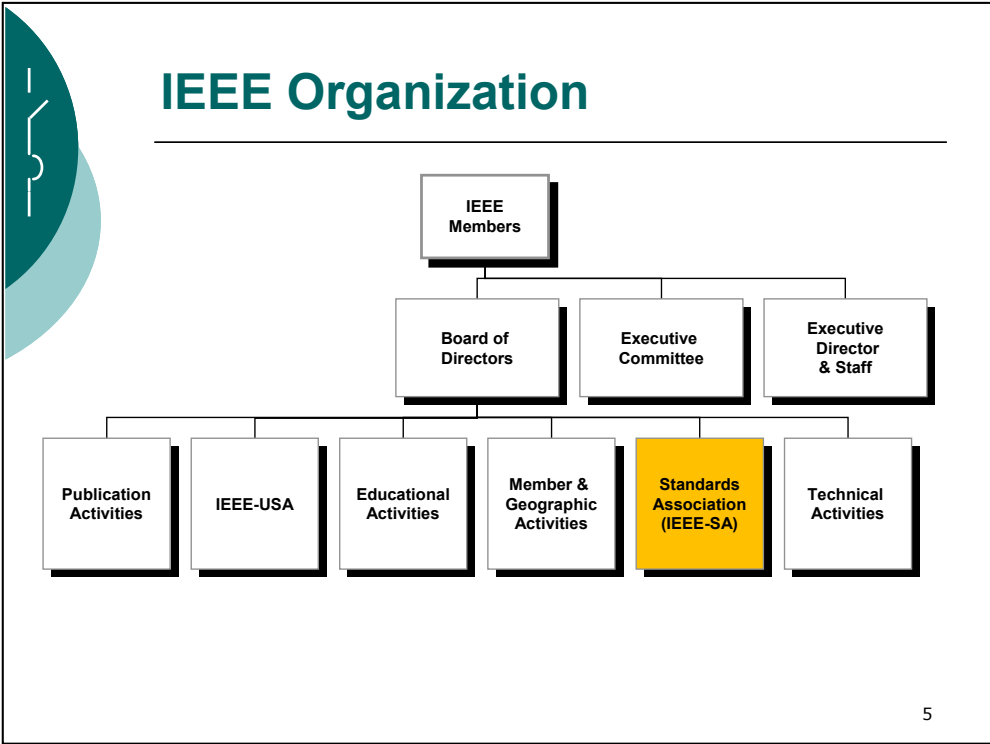
- Where Do We Fit In?
- Scope
- Officers
- Organization
- Activities
- Standards Process
- Subcommittee Organization
- Frequently Asked Questions

3

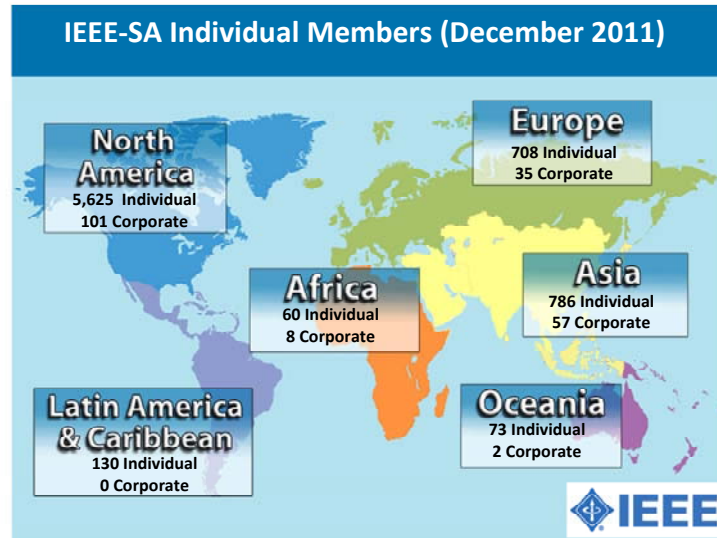
Where Do We Fit In?



4



IEEE Organization



7

Switchgear Committee Scope

Treatment of matters in which the dominant factors are the **design**, **construction** and **operation** of **devices** or **assembled gear** to establish (**make**), **interrupt**, or **change connections** in any electric circuit under **normal or abnormal conditions**, including the following:

8

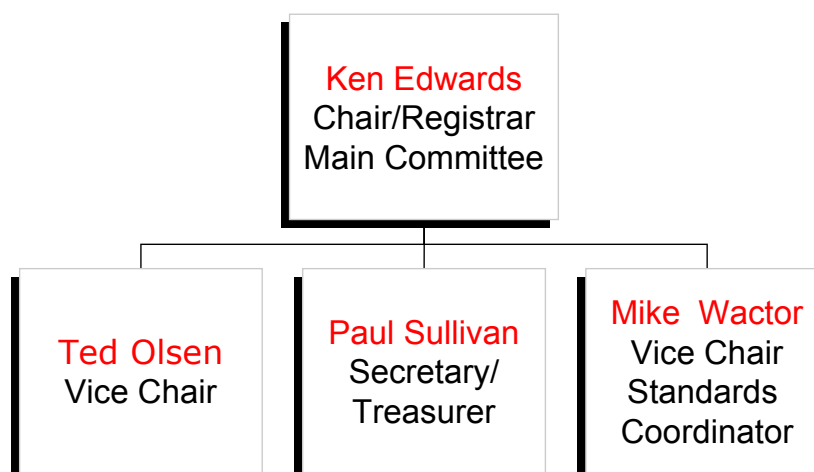
Switchgear Committee Scope

- Automatic reclosers and sectionalizers
- Current limiting devices
- Fuses and cutouts
- Gas-Insulated Switchgear a.k.a., GIS
- Insulation, insulators and hardware for switchgear
- Metal-enclosed buses and all buses included in switchgear assemblies
- Power circuit breakers
- Switches, including pad-mounted switches
- Switchgear assemblies
- Switchgear devices

Matters relating to switchgear or switchgear devices for applications covered by another technical committee if emphasis is on particular requirements of the application.

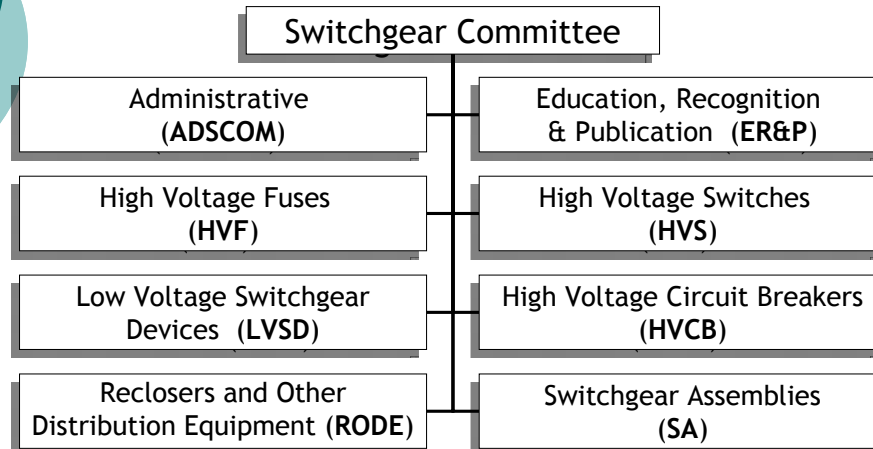
9

Switchgear Committee Officers



10

Organization



11

Activities

- Create & Maintain IEEE Switchgear Standards (including Standards, Guides, and Recommended Practices)
- Prepare and Review Technical Papers
- Organize Technical Sessions
- Recognize Contributions of Members
- Further the Art of Power Engineering

12

Standards Process

- Create PAR - Project Authorization Request and submit to IEEE-SA New Standards Committee (NesCom)
 - Requires IEEE web account
 - <http://standards.ieee.org/develop/>
 - <https://development.standards.ieee.org/my-site> - from this url, select "Access the myProject User Guide.
 - Or, if you are *lazy*, go to the Switchgear Committee website and select "IEEE SA - My Project User Guide (GOOD DOCUMENT!)"
- Form Working Group - Create Document
- Issue Invitation to join Ballot Group to overall Ballot Pool, a subset of IEEE Standards Association [IEEE-SA]
- Finalize Ballot Group and initiate ballot
- After ballot, resolve ballot comments and revise draft document
- Initiate recirculation ballot and recirculate negative ballots as needed to reach a consensus
- Package final balloted draft and backup for IEEE-SA Review Committee (RevCom) & approval by IEEE Standards Board
- Publish as IEEE/ANSI Standard

13

Standards Process Changes effective in 2012

- *IEEE-SA policy*
 - *No interpretations*
 - *No reaffirmations*
- *Approved standards are valid for 10 years*
- *Standard must be revised within 10 years or it will be withdrawn*
 - *Implication - must start revision 5 years after original approval*
- *Balance (ANSI) - no interest category can be more than 1/3 of ballot group*
 - *Implication - always have at least 5 interest groups*
 - *myProject lists 30 interest categories - suggest selecting a reasonable number (10?) of categories*

14

Interest Categories

Academic- researcher	Producer – manufacturer	User – consumer
Academic- student	Producer – Other	User - industrial
Academic- teacher	Producer - Software	User – labor
Academic- other	Distributor	User – other
Gov't – defense	(sub)Supplier	Consulting
Gov't – regulator	Services – design	Insurance
Gov't – other	Services – documentation	Research
NGO – advocacy	Services – testing	SDO
General Interest	Services – training	Trade association
Producer – component	Services – recycle	Professional association

When you initiate an invitation, you can create categories of your own, edit the “default” categories, or delete any of the 30 “default” categories. If you add a category, you must provide a brief definition/description of the category (see separate list of “default” categories along with definition/description.

15

Standards Process Useful information

○ Access to MyProject user guide

https://mentor.ieee.org/etools_documentation/dcn/11/etools_documentation-11-0014-MYPR-myproject-user-guide.pdf

We also have a link to this site on the IEEE Switchgear Committee webpage, under
Other Links of Interest outside this site
IEEE SA My Project User Guide (GOOD DOCUMENT!)

Yes, I know this was in a prior slide but this is really useful information!

16

Standards Process Useful information

- The "beloved Patents slides"
- You should have seen the attached screen you registered for this meeting. Since all registrants saw this screen, all have acknowledged the patents requirements of IEEE-SA and it is not necessary to show the Patents slides at each meeting.

17



IEEE PES Switchgear Committee
C/O Ken Edwards, 319 NW 104th St, Vancouver, WA 98685
Phone: 360-936-1749 Fax: 360-418-2958
k.s.edwards@ieee.org

t.olsen@ieee.org
Manager of Technology
Siemens Energy, Inc.
Member

Tradewinds Island Resort
5500 Gulf Boulevard
St. Pete Beach, FL
April 28 - May 3, 2012

Additional Information

Newcomer Determination

- * 1. Is this your first Switchgear Meeting attendance?

IEEE-SA Patent Policy

NOTE: All participants in this meeting have certain obligations under the IEEE-SA Patent Policy (See the Switchgear Committee's website for additional information, refer to the IEEE Patent Policy "section"). Participants shall inform the IEEE of the identity of each "holder of any potential Essential Patent Claims of which they are personally aware" if the claims are owned or controlled by the participant or the entity the participant is from, employed by, or otherwise represents. "Personal awareness" means that the participant "is personally aware that the holder may have a potential Essential Patent Claim" even if the participant is not personally aware of the specific patents or patent claims.

If anyone registering for this meeting is personally aware of the holder of any patent claims that are potentially essential to the implementation of any of the proposed standard(s) under consideration by any task Force, Working Group or Subcommittee that they will be participating in and that are not already the subject of an "Accepted Letter of Assurance" they are encouraged to disclose that information.

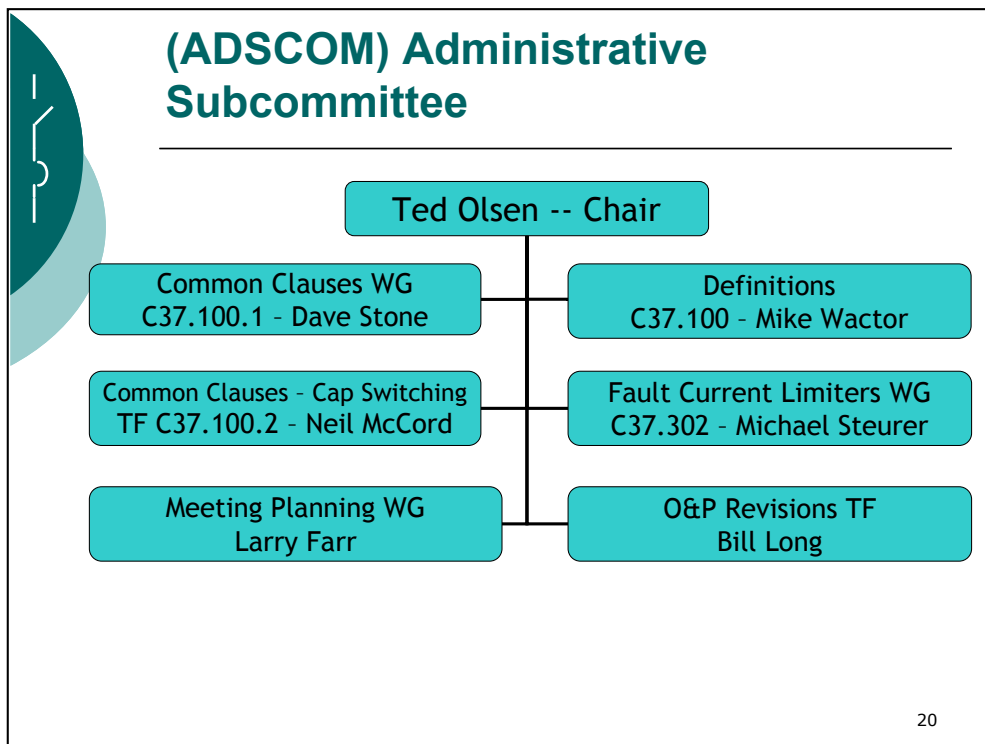
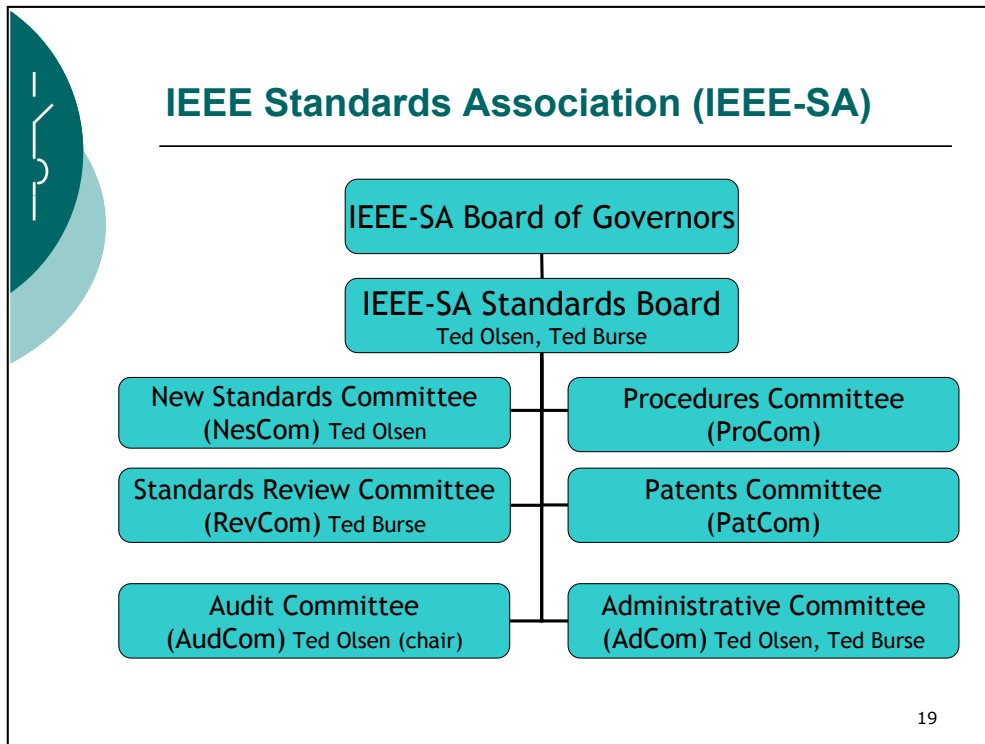
(If you answer YES you will possibly be contacted by the Switchgear Committee Secretary for additional information)

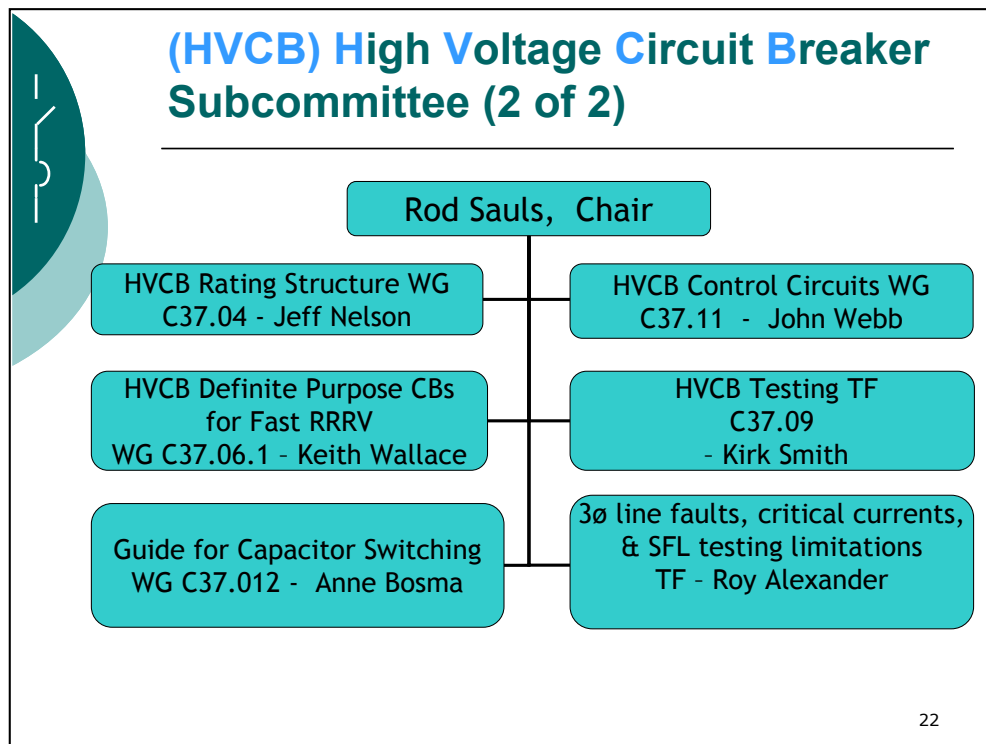
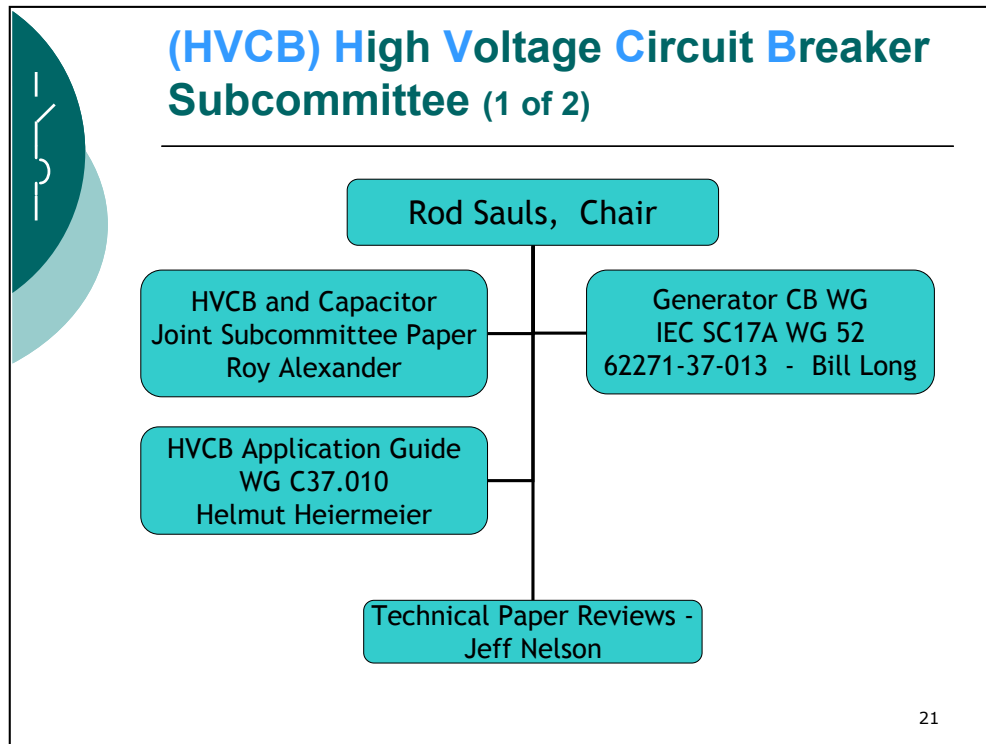
- * 2. Are you aware of any potential Essential Patent Claims? (If you answer YES you will possibly be contacted by the Switchgear Committee Secretary for additional information.)

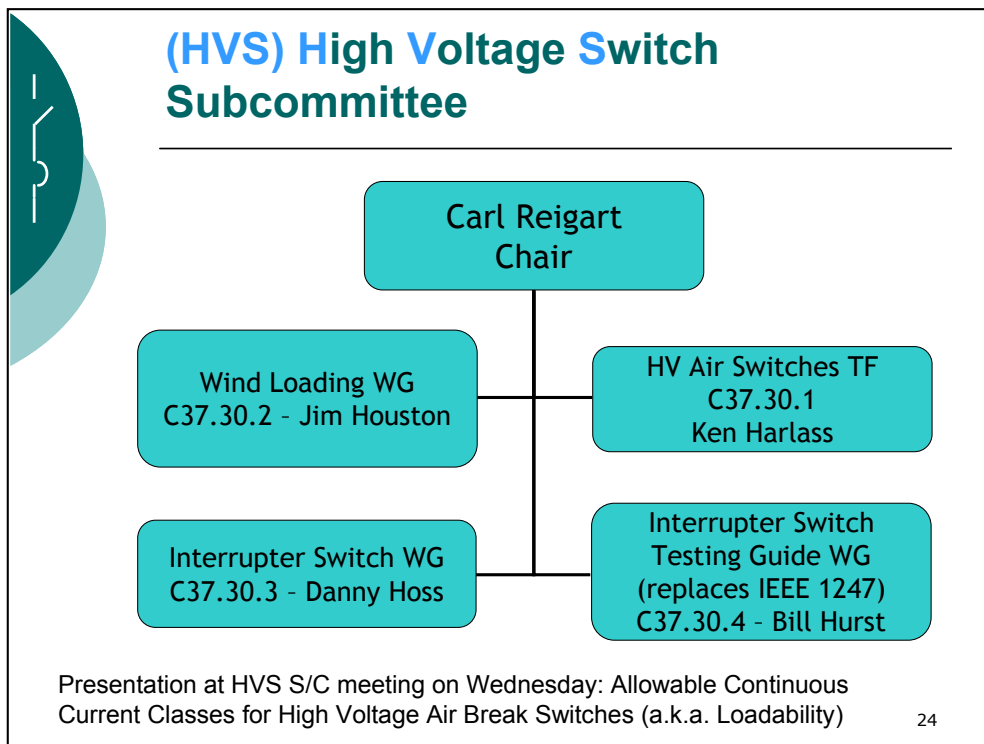
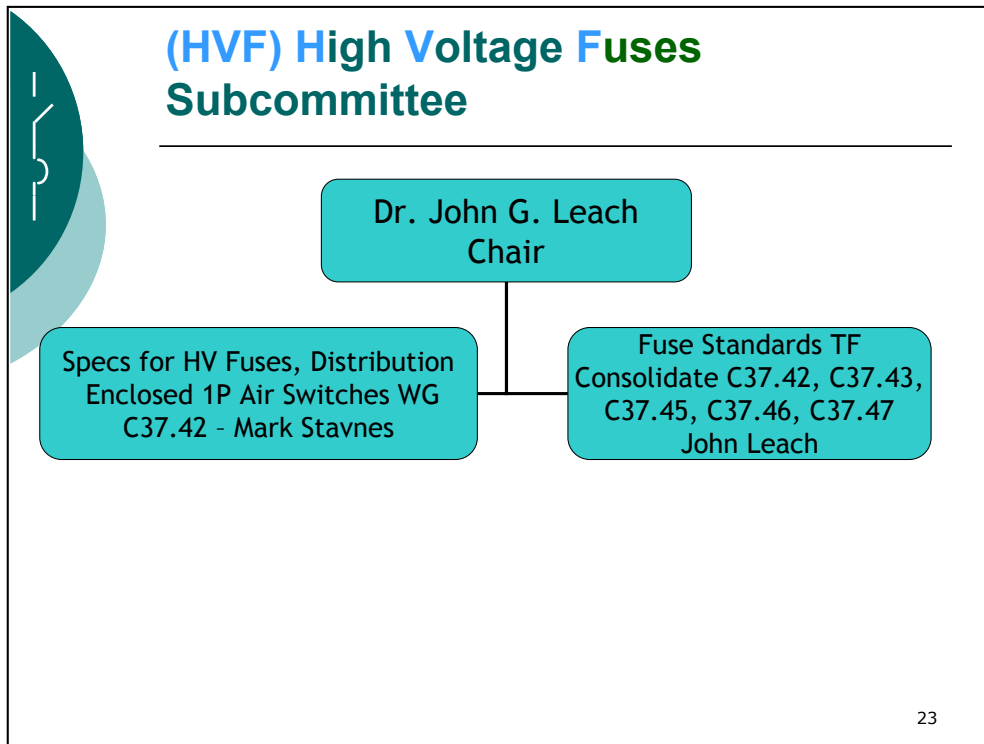
- 3. are affected, the affected document, the Essential Patent Claim, the Company and/or individual patent holder)

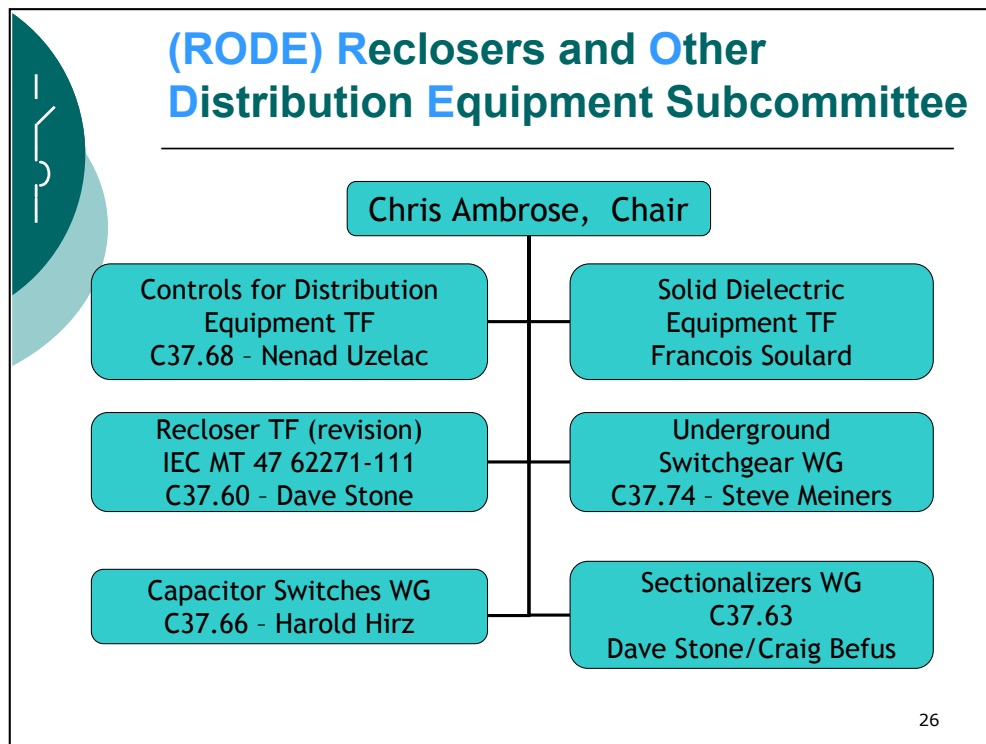
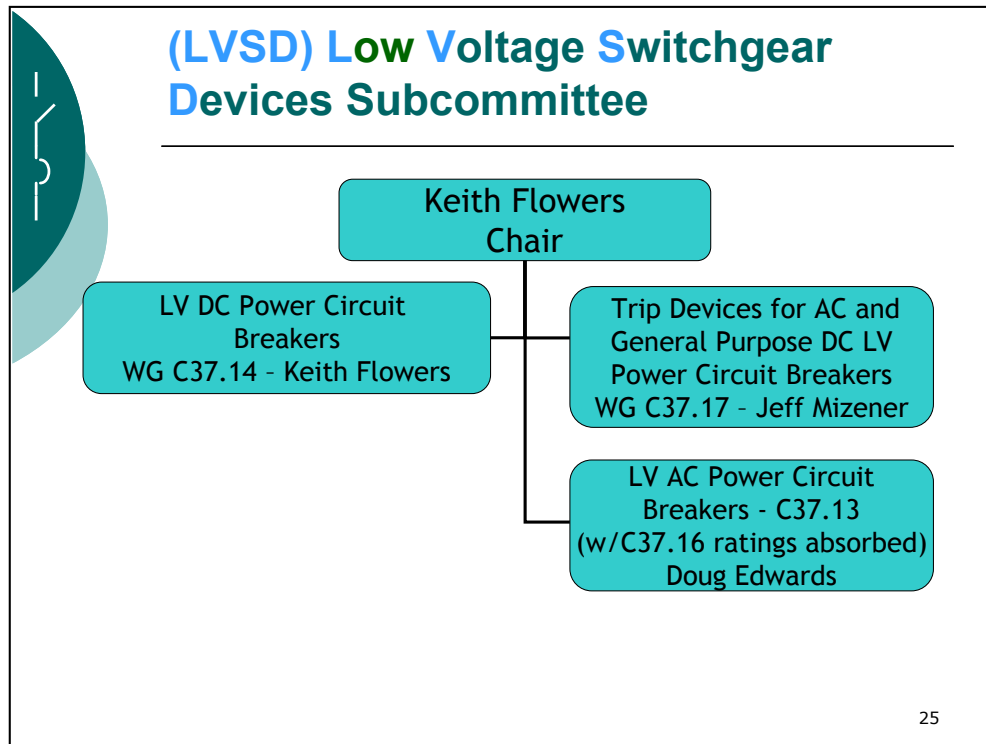
If you are unsure about anything you have read, please refer to the IEEE Patent Policy "section" of the Switchgear Committee's website for additional information.

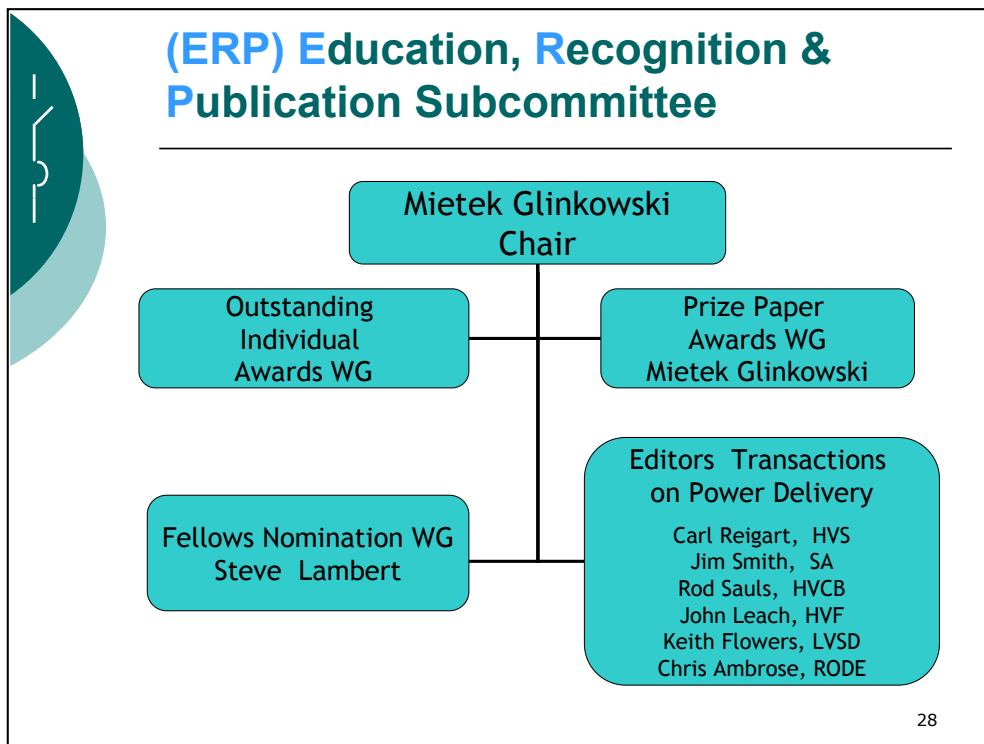
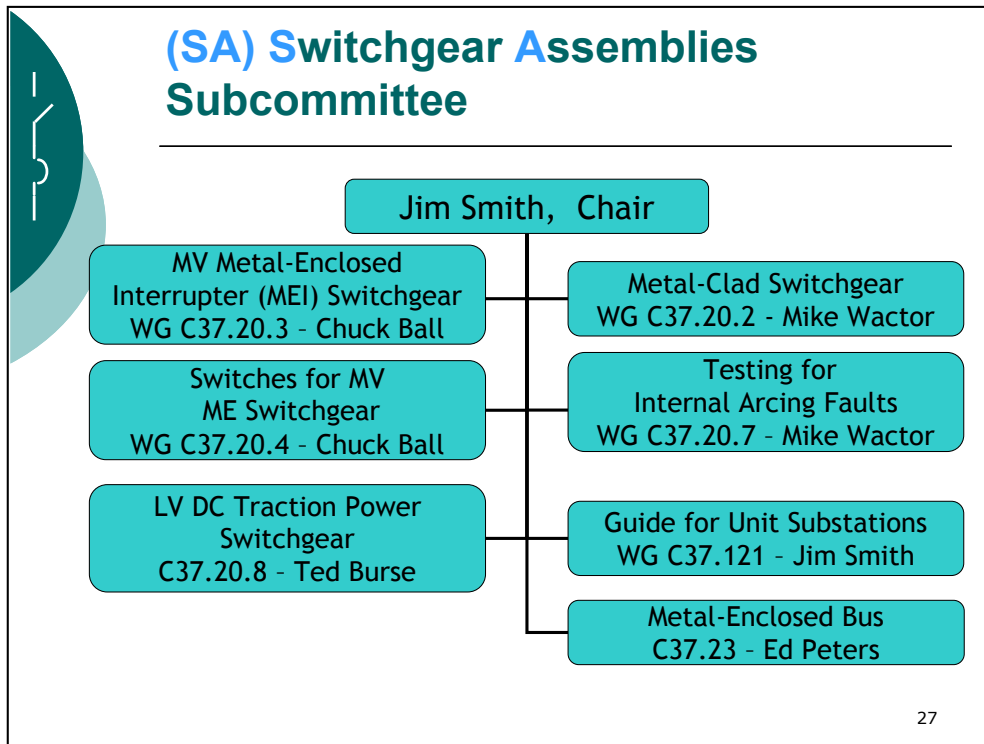
18













Frequently Asked Questions

Why are some standards identified as ANSI standards, some IEEE, and some IEEE/ANSI? (1 of 3)

- ANSI standards are those APPROVED by one of the processes of the American National Standards Institute.
- ANSI does NOT create standards, but accredits Standards Development Organizations [SDOs, of which there are over 270] such as IEEE, NEMA, UL, and ASTM, by approval of procedures that conform to ANSI “Essential Requirements”
- After approval in the IEEE-SA process, IEEE-SA submits approved IEEE Standards to ANSI for recognition as ANSI Standards.

29



Frequently Asked Questions

Why are some standards identified as ANSI standards, some IEEE, and some IEEE/ANSI? (2 of 3)

- During ANSI review, the standard is subject to public comment (comments are infrequent).
- With rare exceptions, all IEEE Switchgear Standards are recognized as ANSI standards, even if the copy available from IEEE-SA does not say so.
- ANSI audits each SDO for compliance with the Essential Requirements, usually every five years.
- NEMA, UL, ASTM, etc., and other ANSI-accredited SDOs are subject to the same rules that ANSI applies to IEEE-SA.

30



Frequently Asked Questions

Why are some standards identified as ANSI standards, some IEEE, and some IEEE/ANSI? (3 of 3)

- ANSI recognizes three methods:
 - organization, e.g., IEEE
 - accredited committee, e.g., ASC C37, ASC C2, etc.
 - accredited canvass, e.g., NETA.
- In the view of many in the Switchgear Committee, the accredited canvass method is not as effective as the accredited organization method, as the canvass method may submerge views of interested parties.

31



Frequently Asked Questions

Are Working Group Meetings Open?

- Generally, ALL IEEE PES Switchgear Committee meetings are **OPEN** to **all who register** for the meetings. **Observers** are encouraged and **welcome** to attend and participate.
- There are a few meetings of other groups and of certain committees, **marked with “ * “** on the schedule, which are **by invitation only**.

32



Frequently Asked Questions

Are any meetings **CLOSED**?

YES. Meetings, marked with “ * ” on the schedule, which are **by invitation only**:

- Most **IEC**, **CIGRÉ** and **STL** meetings are restricted, and observers are welcome **ONLY** at the **pleasure of the chair**.
- The ER&P meeting is closed.
- Visitors are welcome at **STLNA** meetings, however, **please discuss your desire to attend with the chair in advance**, to be sure we have enough chairs.

33



Frequently Asked Questions

How do I become a member of a ballot pool?

You do **NOT** have to be a member of the Switchgear Committee to review and ballot Switchgear Committee standards.

- You **DO** have to join the IEEE-Standards Association, IEEE-SA (IEEE member + \$50 for 2013)
- Create an IEEE-SA web account (no cost)
- Include the Switchgear Committee in your interest profile
- Respond to ballot group invitations when issued, joining those ballot groups in which you have an interest.
- Joining a ballot group imposes an obligation to **participate**.

34



Frequently Asked Questions

How do I become a member of a Working Group?

- Choose a subject you would like to work on
- Go to the Working Group Meeting
- Make the chair aware that you want to be a Working Group member
- Volunteer for an assignment
(and complete it on time)
- Working Group membership is at the discretion of the chair

35



Frequently Asked Questions

How do I become a member of a Subcommittee?

- Become a productive member of a Working Group or Task Force over a continuing period
- Ask the WG or TF chair to nominate you, for Subcommittee membership
- Subcommittee membership is at the discretion of the chair

36



Frequently Asked Questions

How do I become a member of the Main Committee?

- Be a productive member of a subcommittee for at least two years, and attend Main Committee meetings (at least four of last six)
- **IEEE Standards Association (IEEE-SA) membership is required for all Switchgear Main Committee members (\$50 in 2013)**
- Ask the Subcommittee chair to nominate you for membership in the Main Committee
- Main Committee membership is at the discretion of the chair

37



Frequently Asked Questions

Why do some peoples name badges have **RED LINES** on them?

- These people are Officers of the Committee, including Subcommittee Chairs
- Feel free to ask them questions about how the committee operates.

How about the **Green Letters** on the badges?

- These letters indicate which activities the attendee selected during registration.

38

Frequently Asked Questions

What is AMS?

- AMS is the **A**ssociation **M**anagement **S**ystem.
- This system keeps track of all of our members and guests.
- It is a mailing system and meeting registration system also.
- You enrolled to register for this meeting.
- The following slides will show some common mistakes.
- Please do not create a new profile if you cannot find your password, contact Ken Edwards and he can help.
- E-mail System Problems?

39

Frequently Asked Questions

What is wrong with this Name Badge?

IEEE/PES
Switchgear Committee
 May 3 – 7, 2009



Bonneville Power Administration

Asheville, NC

SL

40

Frequently Asked Questions

This is where it came from.

The screenshot shows the 'Edit Profile' page for a member named Ken Edwards. The page has a navigation bar with links for ORGANIZATION, MEMBERSHIP, EVENTS, REGISTRATION, MAILINGS, REPORTS, and HELP. The MEMBERSHIP section is active, and the 'Edit Profile' link is highlighted. A sidebar on the left contains a 'Membership Center' with links for Enroll, Edit Profile, Renew, Change Membership, Member Activity, Download Directory, Payment Due, Search by Profile, and Search by Invoice. Below these are 'Support' and 'Sign Out' buttons, and a copyright notice for 123Signup AHS, Inc. The main content area is titled 'Profile Information' and contains several fields with red asterisks indicating they are highly recommended. The fields are: First/Given Name (Ken), Middle Initial (empty), Last/Family/Surname (Edwards), a full name field (KEN EDWARDS), Company Name (Bonneville Power Administration), and Position/Title (Senior Electrical Engineer). A note states that postal address and postal code are not available for viewing by Committee Members. The page number 41 is visible in the bottom right corner.

41

- Technical Requirements for UHV and EHV Substation Equipment
- Thursday 11:30AM – 3:30PM
- Presenters (CIGRE WG A3.22/28)
 - Anton Janssen (Liander –Netherlands O&G)
 - Masyuki Kosakada (Toshiba)
 - Uwe Riechert (ABB)
 - Denis Dufournet (Alstom)

42

For the Social Wednesday

- Board the William D Evans sternwheeler between 6:00PM and 6:30PM.

The boat will depart at 6:30PM.



43

Future Meetings

- Spring 2013
April 28–May 3, San Luis Resort, Galveston, TX
- Fall 2013
Sept 15-20, Hilton Palacio del Rio, San Antonio
(on the Riverwalk)
- Spring 2014
May 4-9, Disney Contemporary Resort Hotel –
Orlando, FL
- Fall 2014
Location under discussion


44



Thank YOU, Supporters

- **ABB**
- **Alstom**
- **Cleveland/Price**
- **Cooper Power Systems**
- **Eaton**
- **G&W Electric**
- **General Electric**
- **HICO America**
- **Mitsubishi Electric**
- **Powell**
- **S & C Electric**
- **Schneider**
- **Siemens**

45



Website

Visit our website regularly to keep
in touch

<http://www.ewh.ieee.org/soc/pes/switchgear/index.htm>

46



Wireless Access in Meeting Rooms

Wireless Internet is accessible in our meeting rooms.

Bandwidth is limited,
so please, get on and back off quickly
as a courtesy to the rest of the participants.

Use the **Catamaran** network

Password: **IEEE**

47