

DOCUMENT RESUME

ED 345 640

HE 025 535

AUTHOR Leach, Michael D.
 TITLE Crime on Campus. Annual Report: August through December--1989.
 INSTITUTION Tennessee Bureau of Investigation, Nashville. Tennessee Crime Information Center.
 PUB DATE Jan 90
 NOTE 82p.; For the 1990 annual report, see HE 025 536.
 PUB TYPE Statistical Data (110) -- Reports - Research/Technical (143)

EDRS PRICE MF01/PC04 Plus Postage.
 DESCRIPTORS *Campuses; Community Colleges; *Crime; Higher Education; *Incidence; Police Action; Private Colleges; School Security; State Colleges
 IDENTIFIERS *Tennessee

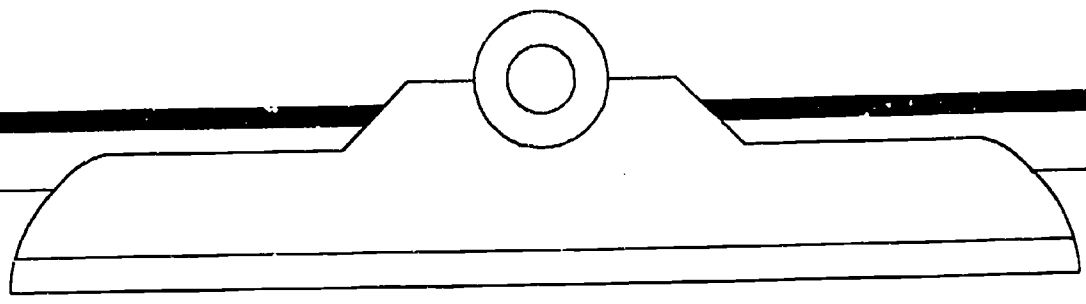
ABSTRACT

This report portrays the nature, volume, and extent of crime occurring on the campuses and housing at approximately 65 institutions of higher education in Tennessee from August to December 1989. Following an introduction, a sample reporting form is provided, along with information on classification of offenses and calculation of crime rates. Individual summary reports for each institution follow. Each report reflects campus population data, summarizes the information provided on monthly report forms, and calculates a crime rate and a clearance rate for each offense. Offenses covered include homicide, manslaughter, rape, robbery, assault, burglary, larceny, vehicle theft, arson, forgery, fraud, embezzlement, stolen property, vandalism, illegal use/possession of weapons, prostitution, sex offenses, drug sale/manufacture or possession, gambling, family offenses, driving under the influence of alcohol or drugs, liquor law violations, drunkenness, disorderly conduct, vagrancy, and all other offenses. (JB)

 * Reproductions supplied by EDRS are the best that can be made *
 * from the original document. *

ED345640

HE



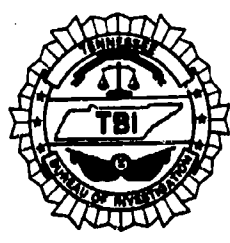
CRIME ON CAMPUS

*A Statistical Summary of Crimes
Reported on the Campuses of all
Tennessee Institutions of Higher Education*

U.S. DEPARTMENT OF EDUCATION
Office of Educational Research and Improvement
EDUCATIONAL RESOURCES INFORMATION
CENTER (ERIC)

This document has been reproduced as received from the person or organization originating it
 Minor changes have been made to improve reproduction quality

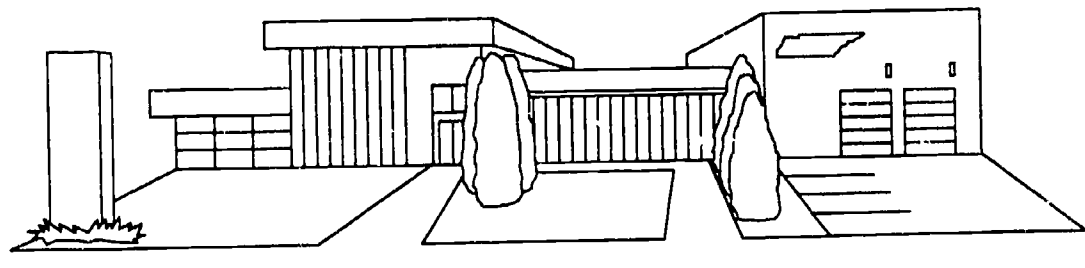
• Points of view or opinions stated in this document do not necessarily represent official OERI position or policy



"PERMISSION TO REPRODUCE THIS MATERIAL HAS BEEN GRANTED BY
Tennessee Bureau
of Investigation

TO THE EDUCATIONAL RESOURCES INFORMATION CENTER (ERIC)."

1989



HE 025 535

CRIME ON CAMPUS

Annual Report

August thru December - 1989

Report Date: January, 1990

Compiled by:

**Tennessee Bureau of Investigation
Tennessee Crime Information Center**

Project Coordinator:

Michael D. Leach, Special Agent



**TENNESSEE BUREAU OF INVESTIGATION
P.O. BOX 100940
NASHVILLE, TENNESSEE 37224-0940
(615) 741-0430**

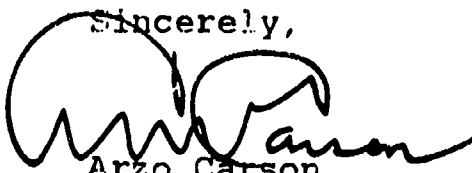
This annual report portrays the nature, volume and extent of crime occurring on the campuses and housing of all institutions of higher education in the State during the months of August through December 1989. All statistics presented in this publication have been accumulated and tabulated from reports submitted by each institution participating in the statewide reporting project.

The report will hopefully assist law enforcement officers, institution administrations, and government officials in adjusting their efforts in the fight against crimes which occur on the Tennessee campuses of higher education. We hope that it will also create an awareness within the general public that crime does exist as a problem within our communities and requires attention from every segment of society. Criminal activity cannot be eliminated by law enforcement agencies acting alone; it requires the concerted efforts of every law abiding citizen as well.

While criminal offenses, and related clearances, relative to individual institutions are reported in the enclosed report, these listings are not intended to show who investigates and/or clears each individual reported offense. The purpose of these listings is to aid in the determination of those factors which are indicative of the particular crime problems of each institution.

Recognition is given to all individuals in government who have consistently advocated and supported the concept of a unified crime reporting program for the State of Tennessee. I urge our law enforcement, government and courts community to continue to improve the quality and accuracy of offense and arrest information. I also urge our citizenry to continue to cooperate in reporting crimes and in applying effective crime prevention strategies. Together, we can make our institutions of higher education, as well as our State, safe for all Tennesseans. A unified effort to combat crime will give us a competitive edge against criminals and improve the quality of life for all Tennesseans.

Sincerely,



Arzo Carson
Director

Table of Contents

	Page
I. INTRODUCTION.....	1
The Program.....	1
Sample Reporting Form.....	3
Classification of Offenses.....	5
A. Part I Offenses.....	5
B. Part II Offenses.....	7
Calculation of Rates.....	13
A. Crime Rate	13
B. Clearance Rate.....	13
II. INSTITUTION SUMMARY REPORTS.....	15
Aquinas Junior College.....	17
Austin Peay State University.....	18
Belmont College.....	19
Bethel College.....	20
Bryan College.....	21
Carson-Newman College.....	22
Chattanooga State Technical Community College...	23
Christian Brothers College.....	24
Cleveland State Community College.....	25
Columbia State Community College.....	26
Cumberland University.....	27
David Lipscomb University.....	28
Dyersburg State Community College.....	29
East Tennessee State University.....	30
Fisk University.....	31

Table of Contents (cont.)

	Page
Freed-Hardeman College.....	32
Free-Will Baptist College.....	33
Hiwassee College.....	34
Jackson State Community College.....	35
John A. Gupton College.....	36
Johnson Bible College.....	37
King College.....	38
Knoxville College.....	39
Lambuth College.....	40
Lane College.....	41
Lee College.....	42
Lemoyne-Owen College.....	43
Lincoln Memorial.....	44
Martin Methodist College.....	45
Maryville College.....	46
Meharry Medical College.....	47
Memphis College of Art.....	48
Memphis State University.....	49
Middle Tennessee State University.....	50
Milligan College.....	51
Morristown College.....	52
Motlow State Community College.....	53
Nashville State Technical Institute.....	54
Pellissippi State Technical Community College...	55
Rhodes College.....	56

Table of Contents (cont.)

	Page
Roane State Community College.....	57
Shelby State Community College.....	58
Southern College of Optometry.....	59
Southern College of Seventh Day Adventists.....	60
State Technical Institute at Memphis.....	61
Tennessee State University.....	62
Tennessee Technological University.....	63
Tennessee Temple University.....	64
Tennessee Wesleyan College.....	65
Tomlinson College.....	66
Trevecca Nazarene College.....	67
Tri-Cities State Technical Institute.....	68
Tusculum College.....	69
Union University.....	70
University of Tennessee Chattanooga.....	71
University of Tennessee Knoxville.....	72
University of Tennessee Martin.....	73
University of Tennessee Memphis.....	74
University of Tennessee Space Institute.....	75
University of the South.....	76
Vanderbilt University.....	77
Volunteer State Community College.....	78
Walters State Community College.....	79

I. INTRODUCTION

The Program

The "Crime On Campus" reporting program was established as a result of the "College and University Security Information Act," (Public Chapter No. 317) enacted by the General Assembly of the State of Tennessee, effective July 1, 1989. This act mandates each institution of higher education to report to the Tennessee Bureau of Investigation information concerning statistics relative to crimes occurring on the campus and student housing. The Bureau is mandated to prescribe the reporting form and format for the collection of such data and to publish an annual report of the results of such data submissions from each institution.

The primary objective of the reporting program is to inform the Governor, the State and Local Government Committees, the Education Committees of the Tennessee House of Representatives and Senate, the General Assembly, other governmental officials, and the public as to the nature and extent of crime on the campuses of Tennessee's institutions of higher education. Such a report will also provide law enforcement administrators with criminal statistics for administrative and operational purposes.

In the sections which follow, a sample reporting form is provided, followed by an explanation of each offense category which has been quantified either in Part I or Part II classifications. This report form is the instrument used to report crime statistics, on a monthly basis, to the Bureau. Finally, a report is provided which summarizes the crime statistics which have been reported by each institution. The reporting period for these statistics spans the period August through December, 1989. The final report summarizes the information provided from the monthly report forms for the columns labeled "Actual Offenses," "Offenses Cleared," and "Clearances Involving Only Persons Under 18 Years Of Age." From these data, a crime rate and clearance rate has been calculated for each offense in both Part I and Part II categories. An explanation of the rate calculations is provided in the sections which follow.

1	2	3	4	5	6
Part I Offenses	Offenses Reported or Known to Police (include unreported and attempted)	Unreported Felony or Misdemeanor Commissions	Number of actual offenses (Column 2 minus Column 3) include attempts	Total offenses cleared by arrest or exceptional means (includes Col 4)	Number of clearances involving only persons under 18 years of age
8 ADULT					
9 FORGERY AND COUNTERFEITING					
10 FRAUD					
11 OBSTRUCTION					
12 STOLEN PROPERTY RECEIVED, RECEIVING POSSESSION					
13 VIOLENCE					
14 UNLAWFUL CARRYING WEAPON					
15 POSSESSION AND COMMERCIALIZED VICE					
16 SEX OFFENSES (Except Forcible Rape and Prostitution)					
17 DRUG ABUSE VIOLATIONS (Sales/Manufacture) TOTAL					
A Opium or Cocaine and their Derivatives (Marijuana, Cocaine, Cannabis)					
B Marijuana					
C Synthetic Narcotics - Manufactured Narcotics which can cause drug addiction (Barbiturates, Methadone)					
D Other Dangerous Non-Synthetic Drugs (Barbiturates, Benzodrine)					
18 DRUG ABUSE VIOLATIONS (Possession) TOTAL					
A Opium or Cocaine and their Derivatives (Marijuana, Cocaine, Cannabis)					
B Marijuana					
C Synthetic Narcotics - Manufactured Narcotics which can cause drug addiction (Barbiturates, Methadone)					
D Other Dangerous Non-Synthetic Drugs (Barbiturates, Benzodrine)					
19 GAMBLING TOTAL					
A Bookmaking (Races and Sports Book)					
B Numbers and Lottery					
C All Other Gambling					
20 OFFENSES AGAINST FAMILY AND CHILDREN					
21 DRIVEN UNDER THE INFLUENCE					
22 LEAVING LANE					
23 DRUNKENNESS					
24 DISORDERLY CONDUCT					
25 VIOLENCE					
26 ALL OTHER OFFENSES (Except Traffic)					
27 SUSPICION					
GRAND TOTAL (Sum of all "numbers" listed from this page)					

Sample Reporting Form

Pursuant to the provisions of Tennessee Public Chapter No. 117, as set forth and cited as the College and University Security Information Act, this report should be completed and forwarded on a monthly basis to the address below:

Tennessee Bureau of Investigation
 Tennessee Crime Information Center
 P. O. Box 18884
 Nashville, TN 37220-2040
 ATTN: JCR Section

1	2	3	4	5	6
Part I Offenses	Offenses Reported or Known to Police (include unreported and attempted)	Unreported Felony or Misdemeanor Commissions	Number of actual offenses (Column 2 minus Column 3) include attempts	Total offenses cleared by arrest or exceptional means (includes Col 4)	Number of clearances involving only persons under 18 years of age
1 CRIMINAL NARCOTICS					
A Murder and noncapital felon					
B Noncapital felon by negligence					
2 FORCIBLE RAPE TOTAL					
A Rape by Force					
B Attempt to commit forcible Rape					
3 ROBBERY TOTAL					
A Firearm					
B Knife or cutting instrument					
C Other dangerous weapon					
D Strong arm (Hand to Hand, etc.)					
4 ASSAULT TOTAL					
A Firearm					
B Knife or cutting instrument					
C Other dangerous weapon					
D Hand to Hand Foot, etc.					
E Other assaults a.m.a.					
5 BURGLARY TOTAL					
A Forcible Entry					
B Unlawful Entry - No Force					
C Attempted forcible entry					
6 LARCENY (Except Motor Vehicle Theft) TOTAL					
A BURGLARY					
B Steal					
C Trucks and Buses					
D Other Vehicles					
GRAND TOTAL (Sum of all "numbers" listed from this page)					

Sample Reporting Form

Report Period: _____ Month _____ Year _____

Institution Name and Address: _____

Person Completing Report: _____ Phone Number: _____

FTS Undergraduate Students: _____

FTS Graduate Students: _____

Staff Personnel: _____

Faculty Personnel: _____

Security Personnel: _____

Grand Total: _____

Classification of Offenses

A. Part I Offenses

1. Criminal Homicide

- a. Murder and Nonnegligent Manslaughter -- The willful (nonnegligent) killing of one human being by another.
- b. Manslaughter by negligence -- The killing of another person through gross negligence.

2. Forcible Rape

- a. Rape by Force -- The carnal knowledge of a female forcibly and against her will.
- b. Attempt to Commit Forcible Rape -- All attempts to commit rape.

3. Robbery

The taking or attempting to take anything of value from the care, custody, or control of a person or persons by force or threat of force or violence and/or by putting the victim in fear.

- a. Firearm -- Any firearm used as a weapon or employed as a means of force to threaten the victim or put the victim in fear.
- b. Knife or Cutting Instrument -- Any knife, broken bottle, razor, ice pick, or other cutting or stabbing instrument employed as a weapon or as a means of force to threaten the victim or put the victim in fear.
- c. Other Dangerous Weapon -- Any club, acid, explosive, brass knuckles, or other dangerous weapon is employed or its use is threaten.
- d. Strong-Arm Hands, Fists, Feet, etc. -- Muggings and similar offenses where no weapon is used, but strong-arm tactics (limited to the use of personal weapons such as hands, arms, feet, fists, teeth, etc.) are employed of their use is threatened to deprive the victim of possessions.

4. Assault

An unlawful attack by one person upon another.

- a. Firearm -- All assaults wherein a firearm of any type is used or its use is threatened. (revolvers, automatic pistols, shotguns, rifles, etc.)
- b. Knife or Cutting Instrument -- Weapons such as knives, razors, hatchets, axes, cleavers, scissors, glass, broken bottles, ice picks, etc., used as cutting or stabbing objects or their use is threatened.
- c. Other Dangerous Weapons -- Any object used as a weapon which does or could result in serious injury. (clubs, bricks, jack handles, tire irons, bottles, or other blunt instruments used to club or beat victims. Also included in this category attacks by explosives, acid, lye, poison, scalding water, burning, etc.)
- d. Hands, Fists, Feet, etc., Aggravated Injury -- Attacks by use of personal weapons such as hands, fists, feet, etc., which result in serious or aggravated injury. The assault will be aggravated if the personal injury is serious, e.g., broken bones, internal injuries, or where stitches are required.
- e. Other Assaults, Simple, Not Aggravated -- All assaults which do not involve the use of a firearm, knife, cutting instrument, or other dangerous weapon and which there are no serious or aggravated injuries to the victims.

5. Burglary

The unlawful entry of a structure to commit a felony or a theft.

- a. Forcible Entry -- All offenses where force of any kind is used to unlawfully enter a structure for the purpose of committing a theft or felony. This act includes entry by use of tools; breaking windows; forcing windows, doors, transoms, or ventilators; cutting screens, walls, or roofs; and where known, the use of master keys, picks, unauthorized keys, celluloid, or other devices which leave no outward mark but are used to force a lock. Burglary by concealment inside a building followed by an exiting of the structure is included in this category.
- b. Unlawful Entry-No Force -- Burglary situations which involves no force and is achieved by use of an unlocked door or window.

c. Attempted Forcible Entry -- Situations where a forcible entry is attempted.

6. Larceny

The unlawful taking, carrying, leading, or riding away of property from the possession or constructive possession of another.

7. Motor Vehicle Theft

The theft or attempted theft of a motor vehicle.

a. Autos -- The theft of all sedans, stationwagons, coupes, convertibles, and other similar motor vehicles which serve the primary purpose of transporting people from one place to another.

b. Trucks and Buses -- Theft of those vehicles specifically designed to transport people on a commercial basis and to transport cargo.

c. Other Vehicles -- Theft of all other motor vehicles limited by the UCR definition, such as snowmobiles, motorcycles, motor scooters, trailbikes, mopeds, golf carts, etc.

B. Part II Offenses

8. Arson

Any willful or malicious burning or attempt to burn, with or without intent to defraud, a dwelling house, public building, motor vehicle or aircraft, personal property of another; etc.

9. Forgery and Counterfeiting

All offenses dealing with the making, altering, uttering, or possessing, with intent to defraud, anything false in the semblance of that which is true.

10. Fraud

Fraudulent conversion and obtaining money or property by false pretense.

11. Embezzlement

Misappropriation or misapplication of money or property entrusted to one's care, custody, or control.

12. Stolen Property; Buying, Receiving, Possessing

Buying, receiving, and possessing stolen property, as well as all attempts to commit any of these offenses.

13. Vandalism

The willful or malicious destruction, injury, disfigurement, or defacement of any public or private property, real or personal, without consent of the owner or person having custody or control by cutting, tearing, breaking, marking, painting, drawing, covering with filth, or any other such means as may be specified by local law. This offense covers a wide range of malicious behavior directed at property.

14. Weapons; Carrying, Possessing, etc.

Weapon offenses, regulatory in nature, such as:

Manufacture, sale, or possession of deadly weapons;
Carrying deadly weapons, concealed or openly;
Using, manufacturing, etc., silencers;
Furnishing deadly weapons to minors;
Aliens possessing deadly weapons; and
All attempts to commit any of the above.

15. Prostitution and Commercialized Vice

Sex offenses of a commercialized nature, such as:

Prostitution;
Keeping a bawdy house, disorderly house, or house of ill fame;
Pandering, procuring, transporting, or detaining women for immoral purposes, etc.; and
All attempts to commit any of the above.

16. Sex Offenses

(Except forcible rape, prostitution, and commercialized vice.) Included are offenses against chastity, common decency, morals, and the like, such as:

Adultery and fornication,
Buggery,
Incest,
Indecent exposure,
Indecent liberties,
Seduction,
Sodomy or crime against nature,
Statutory rape (no force), and
All attempts to commit any of the above.

17. & 18. Drug Abuse Violations

Drug abuse violations data is reported on the basis of the narcotics used. Included are all arrests for violations of state and local laws, specifically those relating to the unlawful possession, sale, use, growing, manufacturing, and making of narcotic drugs. Violation arrests are categorized based on drug types with differentiation being made between Sale/Manufacturing and Possession. Drug categories are as follows:

- a. Opium or cocaine and their derivations (morphine, heroin, codeine)
- b. Marijuana
- c. Synthetic narcotics -- manufactured narcotics which can cause true drug addiction (demerol, methadones)
- d. Dangerous nonnarcotic drugs (barbiturates, benzedrine)

19. Gambling

Promoting, permitting, or engaging in illegal gambling. To provide a more refined collection of gambling arrests, the following breakdown is used.

- a. Bookmaking (horse and sport book)
- b. Numbers and lottery
- c. All other

20. Offenses Against the Family and Children

Nonsupport and neglect or abuse of family and children, such as:

Desertion, abandonment, or nonsupport of spouse or child.

Neglect or abuse of spouse or child. (if injury is serious, score as aggravated assault)

Nonpayment of alimony.

All attempts to commit any of the above.

21. Driving Under the Influence

Driving or operating any vehicle or common carrier while drunk or under the influence of liquor or narcotics.

22. Liquor Laws

All liquor law violations, with the exception of "drunkenness" (offense 23) and "Driving Under the Influence" (offense 21).

23. Drunkenness

Drunkenness or intoxication with the exception of "Driving Under the Influence" (offense 21).

24. Disorderly Conduct

All charges of committing a breach of the peace, such as:

Affray;
Unlawful assembly;
Disturbing the peace;
Disturbing meetings;
Disorderly conduct in state institutions, at court, at fairs, on trains or public conveyances, etc.;
Blasphemy, profanity, and obscene language;
Desecrating the flag;
Refusing to assist an officer; and
All attempts to commit any of the above.

25. Vagrancy

Persons prosecuted on the charge of being a "suspicious character or person, etc.", such as:

Vagrancy,
Begging,
Loitering (persons 18 and over), and
Vagabondage.

26. All Other Offenses

Included in this class is every other state or local offense (except traffic violations) not included in offenses 1 through 25, such as:

Admitting minors to improper places;
Abduction and compelling to marry;
Bigamy and polygamy;
Blackmail and extortion;
Bribery;
Combination in restraint of trade; trusts, monopolies;
Contempt of court;
Criminal anarchism;
Criminal syndicalism;
Discrimination, unfair competition;
Kidnaping;

Marriage within prohibited degrees;
Offenses contributing to juvenile delinquency (except as provided for in offenses 1-25), such as employment of children in immoral vocations or practices, admitting minors to improper places, etc.;
Perjury and subornation of perjury;
Possession, repair, manufacture, etc., of burglar's tools;
Possession of drug paraphernalia;
Possession or sale of obscene literature, pictures, etc.;
Public nuisances;
Riot and rout;
Trespass;
Unlawfully bringing weapons into prisons or hospitals;
Unlawfully bringing drugs or liquor into state prisons, hospitals, etc.; furnishing to convicts;
Unlawful disinterment of the dead and violation of sepulture.
Unlawful use, possession, etc., of explosives

Violations of state regulatory laws and municipal ordinances (this does not include those offenses or regulations which belong in the above classes);
Violation of quarantine;
All offenses not otherwise classified; and
All attempts to commit any of the above.

27. Suspicion

While "suspicion" is not an offense, it is the grounds for many arrests in those jurisdictions where the law permits. After examination by the law enforcement officers, the prisoner is either formally charged or released. Those formally charged are entered in one of the Part I or II offense classes. This class is limited to "suspicion" arrests where persons arrested are released by the police.

Calculation Of Rates

A. Crime Rate

Campus population data is tabulated, as shown on the individual institution summaries which follow, based on the 1989 Fall term campus population. Such population data takes into account all full time equivalent (FTE) undergraduate and graduate student population, staff personnel, faculty personnel, and security personnel. The rate is calculated per offense category by computing the number of offenses per 1,000 persons included in the campus population, and is computed using the following formula:

$$\text{Crime Rate} = \frac{\text{Offenses Reported}}{\text{Total Campus Population}} \times 1,000$$

B. Percent Cleared

The percentage of offenses which were cleared is the ratio of Offenses Cleared to Offenses Reported, expressed as a percentage, and is computed using the following formula:

$$\% \text{ Cleared} = \frac{\text{Offenses Cleared}}{\text{Offenses Reported}} \times 100$$

II. INSTITUTION SUMMARY REPORTS

Follows are individual summary reports for each institution of higher education which reported the required data to TBI. Each report summarizes data reported for the period August through December, 1989. These final reports reflect the campus population data, based on Fall Term 1989, as well as summarize the information provided from the monthly report forms submitted from each institution for the form columns labeled "Actual Offenses," "Offenses Cleared," and "Clearances Involving Only Persons Under 18 Years Of Age." The cumulative total from the monthly reports was used to calculate a crime rate and clearance rate for each offense in both Part I and Part II categories. Section I provides an explanation of how the rate columns were calculated.

Aquinas Junior College

Nashville

Offense Category =====	Offenses Reported =====	Rate Per 1,000 =====	Offenses Cleared =====	% Cleared =====	Clearances Involving Persons Under 18 Years =====
Homicide	0	0.0	0	0.0	0
Manslaughter	0	0.0	0	0.0	0
Rape	0	0.0	0	0.0	0
Robbery	0	0.0	0	0.0	0
Assault	0	0.0	0	0.0	0
Burglary	0	0.0	0	0.0	0
Larceny	0	0.0	0	0.0	0
Vehicle Theft	0	0.0	0	0.0	0
Arson	0	0.0	0	0.0	0
Forgery	0	0.0	0	0.0	0
Fraud	0	0.0	0	0.0	0
Embezzlement	0	0.0	0	0.0	0
Stolen Property	0	0.0	0	0.0	0
Vandalism	0	0.0	0	0.0	0
Weapons	0	0.0	0	0.0	0
Prostitution	0	0.0	0	0.0	0
Sex Offenses	0	0.0	0	0.0	0
Drugs (Sale/Manuf)	0	0.0	0	0.0	0
Drugs (Possession)	0	0.0	0	0.0	0
Gambling	0	0.0	0	0.0	0
Family Offenses	0	0.0	0	0.0	0
DUI	0	0.0	0	0.0	0
Liquor Laws	0	0.0	0	0.0	0
Drunkenness	0	0.0	0	0.0	0
Disorderly Conduct	0	0.0	0	0.0	0
Vagrancy	0	0.0	0	0.0	0
All Other Offenses	0	0.0	0	0.0	0
Suspicion	0	0.0	0	0.0	0
TOTAL:	0	0.0	0	0.0	0

**CAMPUS POPULATION STATISTICS
(1989 Fall Term Campus Population)**

FTE Undergraduate Students (Resident)	0
FTE Undergraduate Students (Commuting)	444
FTE Graduate Students (Resident)	0
FTE Graduate Students (Commuting)	45
Staff Personnel	9
Faculty Personnel	0
Security Personnel (Non-commissioned)	1
Security Personnel (Commissioned)	0
TOTAL :	499

Austin Peay State University

Clarksville

Offense Category	Offenses Reported	Rate Per 1,000	Offenses Cleared	% Cleared	Clearances Involving Persons Under 18 Years
Homicide	0	0.0	0	0.0	0
Manslaughter	0	0.0	0	0.0	0
Rape	0	0.0	0	0.0	0
Robbery	1	0.2	0	0.0	0
Assault	10	2.4	7	70.0	0
Burglary	25	5.9	5	20.0	0
Larceny	65	15.4	9	13.8	8
Vehicle Theft	0	0.0	0	0.0	0
Arson	1	0.2	0	0.0	0
Forgery	0	0.0	0	0.0	0
Fraud	0	0.0	0	0.0	0
Embezzlement	0	0.0	0	0.0	0
Stolen Property	0	0.0	0	0.0	0
Vandalism	11	2.6	0	0.0	0
Weapons	1	0.2	1	100.0	0
Prostitution	0	0.0	0	0.0	0
Sex Offenses	0	0.0	0	0.0	0
Drugs (Sale/Manuf)	0	0.0	0	0.0	0
Drugs (Possession)	1	0.2	1	100.0	0
Gambling	0	0.0	0	0.0	0
Family Offenses	0	0.0	0	0.0	0
DUI	6	1.4	5	83.3	0
Liquor Laws	0	0.0	0	0.0	0
Drunkenness	7	1.7	5	71.4	1
Disorderly Conduct	3	0.7	2	66.7	0
Vagrancy	0	0.0	0	0.0	0
All Other Offenses	8	1.9	3	37.3	0
Suspicion	0	0.0	0	0.0	0
TOTAL:	139	32.9	38	27.3	9

**CAMPUS POPULATION STATISTICS
(1989 Fall Term Campus Population)**

FTE Undergraduate Students (Resident)	:	1,055
FTE Undergraduate Students (Commuting)	:	2,408
FTE Graduate Students (Resident)	:	15
FTE Graduate Students (Commuting)	:	192
Staff Personnel	:	331
Faculty Personnel	:	215
Security Personnel (Non-commissioned)	:	4
Security Personnel (Commissioned)	:	8
TOTAL :		4,228

Belmont College

Nashville

<u>Offense Category</u>	<u>Offenses Reported</u>	<u>Rate Per 1,000</u>	<u>Offenses Cleared</u>	<u>% Cleared</u>	<u>Clearances Involving Persons Under 18 Years</u>
Homicide	0	0.0	0	0.0	0
Manslaughter	0	0.0	0	0.0	0
Rape	0	0.0	0	0.0	0
Robbery	0	0.0	0	0.0	0
Assault	0	0.0	0	0.0	0
Burglary	8	2.6	1	12.5	0
Larceny	5	1.6	0	0.0	0
Vehicle Theft	0	0.0	0	0.0	0
Arson	0	0.0	0	0.0	0
Forgery	0	0.0	0	0.0	0
Fraud	0	0.0	0	0.0	0
Embezzlement	0	0.0	0	0.0	0
Stolen Property	0	0.0	0	0.0	0
Vandalism	0	0.0	0	0.0	0
Weapons	0	0.0	0	0.0	0
Prostitution	0	0.0	0	0.0	0
Sex Offenses	0	0.0	0	0.0	0
Drugs (Sale/Manuf)	0	0.0	0	0.0	0
Drugs (Possession)	0	0.0	0	0.0	0
Gambling	0	0.0	0	0.0	0
Family Offenses	0	0.0	0	0.0	0
DUI	0	0.0	0	0.0	0
Liquor Laws	0	0.0	0	0.0	0
Drunkenness	0	0.0	0	0.0	0
Disorderly Conduct	0	0.0	0	0.0	0
Vagrancy	0	0.0	0	0.0	0
All Other Offenses	0	0.0	0	0.0	0
Suspicion	0	0.0	0	0.0	0
TOTAL:	13	4.2	1	7.7	0

**CAMPUS POPULATION STATISTICS
(1989 Fall Term Campus Population)**

FTE Undergraduate Students (Resident)	:	662
FTE Undergraduate Students (Commuting)	:	1,819
FTE Graduate Students (Resident)	:	4
FTE Graduate Students (Commuting)	:	169
Staff Personnel	:	160
Faculty Personnel	:	305
Security Personnel (Non-commissioned)	:	9
Security Personnel (Commissioned)	:	0
TOTAL :		3,128

Bethel College

McKenzie

Offense Category	Offenses Reported	Rate Per 1,000	Offenses Cleared	% Cleared	Clearances Involving Persons Under 18 Years
Homicide	0	0.0	0	0.0	0
Manslaughter	0	0.0	0	0.0	0
Rape	0	0.0	0	0.0	0
Robbery	0	0.0	0	0.0	0
Assault	0	0.0	0	0.0	0
Burglary	0	0.0	0	0.0	0
Larceny	6	9.3	3	50.0	2
Vehicle Theft	0	0.0	0	0.0	0
Arson	0	0.0	0	0.0	0
Forgery	0	0.0	0	0.0	0
Fraud	0	0.0	0	0.0	0
Embezzlement	0	0.0	0	0.0	0
Stolen Property	0	0.0	0	0.0	0
Vandalism	1	1.6	1	100.0	0
Weapons	0	0.0	0	0.0	0
Prostitution	0	0.0	0	0.0	0
Sex Offenses	0	0.0	0	0.0	0
Drugs (Sale/Manuf)	0	0.0	0	0.0	0
Drugs (Possession)	0	0.0	0	0.0	0
Gambling	0	0.0	0	0.0	0
Family Offenses	0	0.0	0	0.0	0
DUI	0	0.0	0	0.0	0
Liquor Laws	1	1.6	1	100.0	0
Drunkenness	1	1.6	1	100.0	0
Disorderly Conduct	1	1.6	1	100.0	0
Vagrancy	0	0.0	0	0.0	0
All Other Offenses	1	1.6	1	100.0	1
Suspicion	0	0.0	0	0.0	0
TOTAL:	11	17.1	8	72.7	3

**CAMPUS POPULATION STATISTICS
(1989 Fall Term Campus Population)**

FTE Undergraduate Students (Resident)	:	248
FTE Undergraduate Students (Commuting)	:	256
FTE Graduate Students (Resident)	:	0
FTE Graduate Students (Commuting)	:	43
Staff Personnel	:	45
Faculty Personnel	:	49
Security Personnel (Non-commissioned)	:	2
Security Personnel (Commissioned)	:	0
TOTAL :		644

Bryan College

Dayton

Offense Category	Offenses Reported	Rate Per 1,000	Offenses Cleared	% Cleared	Clearances Involving Persons Under 18 Years
Homicide	0	0.0	0	0.0	0
Manslaughter	0	0.0	0	0.0	0
Rape	0	0.0	0	0.0	0
Robbery	0	0.0	0	0.0	0
Assault	0	0.0	0	0.0	0
Burglary	0	0.0	0	0.0	0
Larceny	0	0.0	0	0.0	0
Vehicle Theft	0	0.0	0	0.0	0
Arson	0	0.0	0	0.0	0
Forgery	0	0.0	0	0.0	0
Fraud	0	0.0	0	0.0	0
Embezzlement	0	0.0	0	0.0	0
Stolen Property	0	0.0	0	0.0	0
Vandalism	0	0.0	0	0.0	0
Weapons	1	2.0	0	0.0	0
Prostitution	0	0.0	0	0.0	0
Sex Offenses	0	0.0	0	0.0	0
Drugs (Sale/Manuf)	1	2.0	0	0.0	0
Drugs (Possession)	0	0.0	0	0.0	0
Gambling	0	0.0	0	0.0	0
Family Offenses	0	0.0	0	0.0	0
DUI	0	0.0	0	0.0	0
Liquor Laws	0	0.0	0	0.0	0
Drunkenness	0	0.0	0	0.0	0
Disorderly Conduct	0	0.0	0	0.0	0
Vagrancy	0	0.0	0	0.0	0
All Other Offenses	0	0.0	0	0.0	0
Suspicion	0	0.0	0	0.0	0
TOTAL:	2	4.0	0	0.0	0

CAMPUS POPULATION STATISTICS
(1989 Fall Term Campus Population)

FTE Undergraduate Students (Resident)	:	298
FTE Undergraduate Students (Commuting)	:	95
FTE Graduate Students (Resident)	:	0
FTE Graduate Students (Commuting)	:	0
Staff Personnel	:	59
Faculty Personnel	:	32
Security Personnel (Non-commissioned)	:	10
Security Personnel (Commissioned)	:	0
TOTAL :		494

Carson-Newman College

Jefferson City

Offense Category	Offenses Reported	Rate Per 1,000	Offenses Cleared	% Cleared	Clearances Involving Persons Under 18 Years
Homicide	0	0.0	0	0.0	0
Manslaughter	0	0.0	0	0.0	0
Rape	0	0.0	0	0.0	0
Robbery	0	0.0	0	0.0	0
Assault	0	0.0	0	0.0	0
Burglary	11	4.3	1	9.1	0
Larceny	0	0.0	0	0.0	0
Vehicle Theft	0	0.0	0	0.0	0
Arson	0	0.0	0	0.0	0
Forgery	0	0.0	0	0.0	0
Fraud	0	0.0	0	0.0	0
Embezzlement	0	0.0	0	0.0	0
Stolen Property	0	0.0	0	0.0	0
Vandalism	1	0.4	0	0.0	0
Weapons	0	0.0	0	0.0	0
Prostitution	0	0.0	0	0.0	0
Sex Offenses	0	0.0	0	0.0	0
Drugs (Sale/Manuf)	0	0.0	0	0.0	0
Drugs (Possession)	0	0.0	0	0.0	0
Gambling	0	0.0	0	0.0	0
Family Offenses	0	0.0	0	0.0	0
DUI	0	0.0	0	0.0	0
Liquor Laws	0	0.0	0	0.0	0
Drunkenness	0	0.0	0	0.0	0
Disorderly Conduct	0	0.0	0	0.0	0
Vagrancy	0	0.0	0	0.0	0
All Other Offenses	1	0.4	0	0.0	0
Suspicion	0	0.0	0	0.0	0
TOTAL:	13	5.0	1	7.7	0

CAMPUS POPULATION STATISTICS
(1989 Fall Term Campus Population)

FTE Undergraduate Students (Resident)	:	1,250
FTE Undergraduate Students (Commuting)	:	850
FTE Graduate Students (Resident)	:	0
FTE Graduate Students (Commuting)	:	30
Staff Personnel	:	149
Faculty Personnel	:	295
Security Personnel (Non-commissioned)	:	14
Security Personnel (Commissioned)	:	0
TOTAL :		2,588

Chattanooga State Technical Community College

Chattanooga

Offense Category	Offenses Reported	Rate Per 1,000	Offenses Cleared	% Cleared	Clearances Involving Persons Under 18 Years
Homicide	0	0.0	0	0.0	0
Manslaughter	0	0.0	0	0.0	0
Rape	0	0.0	0	0.0	0
Robbery	0	0.0	0	0.0	0
Assault	0	0.0	0	0.0	0
Burglary	3	0.7	0	0.0	0
Larceny	5	1.1	1	20.0	0
Vehicle Theft	1	0.2	0	0.0	0
Arson	0	0.0	0	0.0	0
Forgery	0	0.0	0	0.0	0
Fraud	0	0.0	0	0.0	0
Embezzlement	0	0.0	0	0.0	0
Stolen Property	0	0.0	0	0.0	0
Vandalism	1	0.2	0	0.0	0
Weapons	0	0.0	0	0.0	0
Prostitution	0	0.0	0	0.0	0
Sex Offenses	1	0.2	0	0.0	0
Drugs (Sale/Manuf)	0	0.0	0	0.0	0
Drugs (Possession)	0	0.0	0	0.0	0
Gambling	0	0.0	0	0.0	0
Family Offenses	0	0.0	0	0.0	0
DUI	0	0.0	0	0.0	0
Liquor Laws	0	0.0	0	0.0	0
Drunkenness	1	0.2	1	100.0	0
Disorderly Conduct	0	0.0	0	0.0	0
Vagrancy	0	0.0	0	0.0	0
All Other Offenses	1	0.2	0	0.0	0
Suspicion	0	0.0	0	0.0	0
TOTAL:	13	2.8	2	15.4	0

**CAMPUS POPULATION STATISTICS
(1989 Fall Term Campus Population)**

FTE Undergraduate Students (Resident)	:	0
FTE Undergraduate Students (Commuting)	:	4,243
FTE Graduate Students (Resident)	:	0
FTE Graduate Students (Commuting)	:	0
Staff Personnel	:	170
Faculty Personnel	:	165
Security Personnel (Non-commissioned)	:	16
Security Personnel (Commissioned)	:	0
TOTAL :		4,594

Christian Brothers College

Memphis

Offense Category	Offenses Reported	Rate Per 1,000	Offenses Cleared	% Cleared	Clearances Involving Persons Under 18 Years
Homicide	0	0.0	0	0.0	0
Manslaughter	0	0.0	0	0.0	0
Rape	0	0.0	0	0.0	0
Robbery	0	0.0	0	0.0	0
Assault	0	0.0	0	0.0	0
Burglary	3	1.7	0	0.0	0
Larceny	5	2.8	0	0.0	0
Vehicle Theft	4	2.2	0	0.0	0
Arson	0	0.0	0	0.0	0
Forgery	0	0.0	0	0.0	0
Fraud	0	0.0	0	0.0	0
Embezzlement	0	0.0	0	0.0	0
Stolen Property	0	0.0	0	0.0	0
Vandalism	1	0.6	0	0.0	0
Weapons	0	0.0	0	0.0	0
Prostitution	0	0.0	0	0.0	0
Sex Offenses	0	0.0	0	0.0	0
Drugs (Sale/Manuf)	0	0.0	0	0.0	0
Drugs (Possession)	0	0.0	0	0.0	0
Gambling	0	0.0	0	0.0	0
Family Offenses	0	0.0	0	0.0	0
DUI	0	0.0	0	0.0	0
Liquor Laws	0	0.0	0	0.0	0
Drunkenness	0	0.0	0	0.0	0
Disorderly Conduct	0	0.0	0	0.0	0
Vagrancy	0	0.0	0	0.0	0
All Other Offenses	0	0.0	0	0.0	0
Suspicion	0	0.0	0	0.0	0
TOTAL:	13	7.2	0	0.0	0

CAMPUS POPULATION STATISTICS
(1989 Fall Term Campus Population)

FTE Undergraduate Students (Resident)	:	333
FTE Undergraduate Students (Commuting)	:	1,106
FTE Graduate Students (Resident)	:	0
FTE Graduate Students (Commuting)	:	70
Staff Personnel	:	126
Faculty Personnel	:	178
Security Personnel (Non-commissioned)	:	5
Security Personnel (Commissioned)	:	0
TOTAL	:	1,818

Cleveland State Community College

Cleveland

Offense Category	Offenses Reported	Rate Per 1,000	Offenses Cleared	% Cleared	Clearances Involving Persons Under 18 Years
Homicide	0	0.0	0	0.0	0
Manslaughter	0	0.0	0	0.0	0
Rape	1	0.3	1	100.0	0
Robbery	0	0.0	0	0.0	0
Assault	0	0.0	0	0.0	0
Burglary	3	0.8	0	0.0	0
Larceny	6	1.6	0	0.0	0
Vehicle Theft	0	0.0	0	0.0	0
Arson	0	0.0	0	0.0	0
Forgery	0	0.0	0	0.0	0
Fraud	0	0.0	0	0.0	0
Embezzlement	0	0.0	0	0.0	0
Stolen Property	0	0.0	0	0.0	0
Vandalism	4	1.1	0	0.0	0
Weapons	0	0.0	0	0.0	0
Prostitution	0	0.0	0	0.0	0
Sex Offenses	0	0.0	0	0.0	0
Drugs (Sale/Manuf)	0	0.0	0	0.0	0
Drugs (Possession)	0	0.0	0	0.0	0
Gambling	0	0.0	0	0.0	0
Family Offenses	0	0.0	0	0.0	0
DUI	0	0.0	0	0.0	0
Liquor Laws	0	0.0	0	0.0	0
Drunkenness	0	0.0	0	0.0	0
Disorderly Conduct	2	0.5	2	100.0	0
Vagrancy	0	0.0	0	0.0	0
All Other Offenses	0	0.0	0	0.0	0
Suspicion	0	0.0	0	0.0	0
TOTAL:	16	4.3	3	18.8	0

CAMPUS POPULATION STATISTICS
(1989 Fall Term Campus Population)

FTE Undergraduate Students (Resident)	:	0
FTE Undergraduate Students (Commuting)	:	3,402
FTE Graduate Students (Resident)	:	0
FTE Graduate Students (Commuting)	:	0
Staff Personnel	:	137
Faculty Personnel	:	177
Security Personnel (Non-commissioned)	:	0
Security Personnel (Commissioned)	:	5
TOTAL :		3,721

Columbia State Community College

Columbia

Offense Category	Offenses Reported	Rate Per 1,000	Offenses Cleared	% Cleared	Clearances Involving Persons Under 18 Years
Homicide	0	0.0	0	0.0	0
Manslaughter	0	0.0	0	0.0	0
Rape	0	0.0	0	0.0	0
Robbery	0	0.0	0	0.0	0
Assault	0	0.0	0	0.0	0
Burglary	3	1.5	3	100.0	0
Larceny	1	0.5	1	100.0	0
Vehicle Theft	0	0.0	0	0.0	0
Arson	0	0.0	0	0.0	0
Forgery	0	0.0	0	0.0	0
Fraud	0	0.0	0	0.0	0
Embezzlement	0	0.0	0	0.0	0
Stolen Property	0	0.0	0	0.0	0
Vandalism	2	1.0	2	100.0	0
Weapons	0	0.0	0	0.0	0
Prostitution	0	0.0	0	0.0	0
Sex Offenses	0	0.0	0	0.0	0
Drugs (Sale/Manuf)	0	0.0	0	0.0	0
Drugs (Possession)	0	0.0	0	0.0	0
Gambling	0	0.0	0	0.0	0
Family Offenses	0	0.0	0	0.0	0
DUI	0	0.0	0	0.0	0
Liquor Laws	0	0.0	0	0.0	0
Drunkenness	0	0.0	0	0.0	0
Disorderly Conduct	0	0.0	0	0.0	0
Vagrancy	0	0.0	0	0.0	0
All Other Offenses	0	0.0	0	0.0	0
Suspicion	0	0.0	0	0.0	0
TOTAL:	6	3.0	6	100.0	0

**CAMPUS POPULATION STATISTICS
(1989 Fall Term Campus Population)**

FTE Undergraduate Students (Resident)	:	0
FTE Undergraduate Students (Commuting)	:	1,850
FTE Graduate Students (Resident)	:	0
FTE Graduate Students (Commuting)	:	0
Staff Personnel	:	98
Faculty Personnel	:	72
Security Personnel (Non-commissioned)	:	5
Security Personnel (Commissioned)	:	0
TOTAL :		2,025

Cumberland University

Lebanon

Offense Category	Offenses Reported	Rate Per 1,000	Offenses Cleared	% Cleared	Clearances Involving Persons Under 18 Years
Homicide	0	0.0	0	0.0	0
Manslaughter	0	0.0	0	0.0	0
Rape	0	0.0	0	0.0	0
Robbery	0	0.0	0	0.0	0
Assault	0	0.0	0	0.0	0
Burglary	1	1.9	0	0.0	0
Larceny	0	0.0	0	0.0	0
Vehicle Theft	0	0.0	0	0.0	0
Arson	0	0.0	0	0.0	0
Forgery	0	0.0	0	0.0	0
Fraud	0	0.0	0	0.0	0
Embezzlement	0	0.0	0	0.0	0
Stolen Property	0	0.0	0	0.0	0
Vandalism	0	0.0	0	0.0	0
Weapons	0	0.0	0	0.0	0
Prostitution	0	0.0	0	0.0	0
Sex Offenses	0	0.0	0	0.0	0
Drugs (Sale/Manuf)	0	0.0	0	0.0	0
Drugs (Possession)	0	0.0	0	0.0	0
Gambling	0	0.0	0	0.0	0
Family Offenses	0	0.0	0	0.0	0
DUI	0	0.0	0	0.0	0
Liquor Laws	0	0.0	0	0.0	0
Drunkenness	0	0.0	0	0.0	0
Disorderly Conduct	0	0.0	0	0.0	0
Vagrancy	0	0.0	0	0.0	0
All Other Offenses	1	1.9	1	100.0	0
Suspicion	0	0.0	0	0.0	0
TOTAL:	2	3.7	1	50.0	0

**CAMPUS POPULATION STATISTICS
(1989 Fall Term Campus Population)**

FTE Undergraduate Students (Resident)	165
FTE Undergraduate Students (Commuting)	278
FTE Graduate Students (Resident)	0
FTE Graduate Students (Commuting)	16
Staff Personnel	30
Faculty Personnel	42
Security Personnel (Non-commissioned)	2
Security Personnel (Commissioned)	3
TOTAL :	536

David Lipscomb University

Nashville

Offense Category	Offenses Reported	Rate Per 1,000	Offenses Cleared	% Cleared	Clearances Involving Persons Under 18 Years
Homicide	0	0.0	0	0.0	0
Manslaughter	0	0.0	0	0.0	0
Rape	0	0.0	0	0.0	0
Robbery	0	0.0	0	0.0	0
Assault	0	0.0	0	0.0	0
Burglary	1	0.4	0	0.0	0
Larceny	5	2.0	0	0.0	0
Vehicle Theft	1	0.4	0	0.0	0
Arson	3	1.2	0	0.0	0
Forgery	0	0.0	0	0.0	0
Fraud	0	0.0	0	0.0	0
Embezzlement	0	0.0	0	0.0	0
Stolen Property	0	0.0	0	0.0	0
Vandalism	0	0.0	0	0.0	0
Weapons	0	0.0	0	0.0	0
Prostitution	0	0.0	0	0.0	0
Sex Offenses	0	0.0	0	0.0	0
Drugs (Sale/Manuf)	0	0.0	0	0.0	0
Drugs (Possession)	0	0.0	0	0.0	0
Gambling	0	0.0	0	0.0	0
Family Offenses	0	0.0	0	0.0	0
DUI	0	0.0	0	0.0	0
Liquor Laws	0	0.0	0	0.0	0
Drunkenness	0	0.0	0	0.0	0
Disorderly Conduct	0	0.0	0	0.0	0
Vagrancy	0	0.0	0	0.0	0
All Other Offenses	0	0.0	0	0.0	0
Suspicion	1	0.4	0	0.0	0
TOTAL:	11	4.4	0	0.0	0

CAMPUS POPULATION STATISTICS
(1989 Fall Term Campus Population)

FTE Undergraduate Students (Resident)	:	1,286
FTE Undergraduate Students (Commuting)	:	834
FTE Graduate Students (Resident)	:	3
FTE Graduate Students (Commuting)	:	56
Staff Personnel	:	141
Faculty Personnel	:	161
Security Personnel (Non-commissioned)	:	20
Security Personnel (Commissioned)	:	0
TOTAL :		2,501

Dyersburg State Community College

Dyersburg

Offense Category	Offenses Reported	Rate Per 1,000	Offenses Cleared	% Cleared	Clearances Involving Persons Under 18 Years
Homicide	0	0.0	0	0.0	0
Manslaughter	0	0.0	0	0.0	0
Rape	0	0.0	0	0.0	0
Robbery	0	0.0	0	0.0	0
Assault	0	0.0	0	0.0	0
Burglary	2	1.0	0	0.0	0
Larceny	8	4.0	0	0.0	0
Vehicle Theft	0	0.0	0	0.0	0
Arson	0	0.0	0	0.0	0
Forgery	0	0.0	0	0.0	0
Fraud	0	0.0	0	0.0	0
Embezzlement	0	0.0	0	0.0	0
Stolen Property	0	0.0	0	0.0	0
Vandalism	0	0.0	0	0.0	0
Weapons	0	0.0	0	0.0	0
Prostitution	0	0.0	0	0.0	0
Sex Offenses	0	0.0	0	0.0	0
Drugs (Sale/Manuf)	0	0.0	0	0.0	0
Drugs (Possession)	0	0.0	0	0.0	0
Gambling	0	0.0	0	0.0	0
Family Offenses	0	0.0	0	0.0	0
DUI	0	0.0	0	0.0	0
Liquor Laws	0	0.0	0	0.0	0
Drunkenness	0	0.0	0	0.0	0
Disorderly Conduct	0	0.0	0	0.0	0
Vagrancy	0	0.0	0	0.0	0
All Other Offenses	0	0.0	0	0.0	0
Suspicion	0	0.0	0	0.0	0
TOTAL:	10	5.0	0	0.0	0

**CAMPUS POPULATION STATISTICS
(1989 Fall Term Campus Population)**

FTE Undergraduate Students (Resident)	:	0
FTE Undergraduate Students (Commuting)	:	1,872
FTE Graduate Students (Resident)	:	0
FTE Graduate Students (Commuting)	:	0
Staff Personnel	:	70
Faculty Personnel	:	44
Security Personnel (Non-commissioned)	:	1
Security Personnel (Commissioned)	:	0
TOTAL :		1,987

East Tennessee State University

Johnson City

Offense Category	Offenses Reported	Rate Per 1,000	Offenses Cleared	% Cleared	Clearances Involving Persons Under 18 Years
Homicide	0	0.0	0	0.0	0
Manslaughter	0	0.0	0	0.0	0
Rape	0	0.0	0	0.0	0
Robbery	0	0.0	0	0.0	0
Assault	10	0.9	5	50.0	0
Burglary	5	0.4	0	0.0	0
Larceny	89	7.7	9	10.1	1
Vehicle Theft	6	0.5	3	50.0	0
Arson	0	0.0	0	0.0	0
Forgery	0	0.0	0	0.0	0
Fraud	1	0.1	0	0.0	0
Embezzlement	0	0.0	0	0.0	0
Stolen Property	2	0.2	2	100.0	0
Vandalism	51	4.4	2	3.9	0
Weapons	2	0.2	2	100.0	1
Prostitution	0	0.0	0	0.0	0
Sex Offenses	4	0.3	1	25.0	0
Drugs (Sale/Manuf)	0	0.0	0	0.0	0
Drugs (Possession)	5	0.4	5	100.0	1
Gambling	0	0.0	0	0.0	0
Family Offenses	0	0.0	0	0.0	0
DUI	0	0.0	0	0.0	0
Liquor Laws	10	0.9	8	80.0	7
Drunkenness	1	0.1	1	100.0	0
Disorderly Conduct	0	0.0	0	0.0	0
Vagrancy	0	0.0	0	0.0	0
All Other Offenses	56	4.8	2	3.6	0
Suspicion	2	0.2	1	50.0	1
TOTAL:	244	21.1	41	16.8	11

**CAMPUS POPULATION STATISTICS
(1989 Fall Term Campus Population)**

FTE Undergraduate Students (Resident)	2,460
FTE Undergraduate Students (Commuting)	6,455
FTE Graduate Students (Resident)	72
FTE Graduate Students (Commuting)	863
Staff Personnel	958
Faculty Personnel	744
Security Personnel (Non-commissioned)	5
Security Personnel (Commissioned)	17
TOTAL :	11,574

Fisk University

Nashville

Offense Category	Offenses Reported	Rate Per 1,000	Offenses Cleared	% Cleared	Clearances Involving Persons Under 18 Years
=====	=====	=====	=====	=====	=====
Homicide					
Manslaughter					
Rape					
Robbery					
Assault					
Burglary					
Larceny					
Vehicle Theft					
Arson					
Forgery					
Fraud					
Embezzlement					
Stolen Property					
Vandalism					
Weapons		REQUIRED DATA NOT SUBMITTED			
Prostitution					
Sex Offenses					
Drugs (Sale/Manuf)					
Drugs (Possession)					
Gambling					
Family Offenses					
DUI					
Liquor Laws					
Drunkenness					
Disorderly Conduct					
Vagrancy					
All Other Offenses					
Suspicion					

TOTAL:

**CAMPUS POPULATION STATISTICS
(1989 Fall Term Campus Population)**

FTE Undergraduate Students (Resident)	:
FTE Undergraduate Students (Commuting)	:
FTE Graduate Students (Resident)	:
FTE Graduate Students (Commuting)	:
Staff Personnel	:
Faculty Personnel	:
Security Personnel (Non-commissioned)	:
Security Personnel (Commissioned)	:

TOTAL :

Freed-Hardeman College

Henderson

Offense Category	Offenses Reported	Rate Per 1,000	Offenses Cleared	% Cleared	Clearances Involving Persons Under 18 Years
Homicide	0	0.0	0	0.0	0
Manslaughter	0	0.0	0	0.0	0
Rape	0	0.0	0	0.0	0
Robbery	0	0.0	0	0.0	0
Assault	1	0.7	1	100.0	1
Burglary	15	10.8	0	0.0	0
Larceny	12	8.6	0	0.0	0
Vehicle Theft	1	0.7	0	0.0	0
Arson	0	0.0	0	0.0	0
Forgery	0	0.0	0	0.0	0
Fraud	0	0.0	0	0.0	0
Embezzlement	0	0.0	0	0.0	0
Stolen Property	0	0.0	0	0.0	0
Vandalism	0	0.0	0	0.0	0
Weapons	0	0.0	0	0.0	0
Prostitution	0	0.0	0	0.0	0
Sex Offenses	0	0.0	0	0.0	0
Drugs (Sale/Manuf)	0	0.0	0	0.0	0
Drugs (Possession)	0	0.0	0	0.0	0
Gambling	0	0.0	0	0.0	0
Family Offenses	0	0.0	0	0.0	0
DUI	0	0.0	0	0.0	0
Liquor Laws	0	0.0	0	0.0	0
Drunkenness	0	0.0	0	0.0	0
Disorderly Conduct	0	0.0	0	0.0	0
Vagrancy	0	0.0	0	0.0	0
All Other Offenses	0	0.0	0	0.0	0
Suspicion	0	0.0	0	0.0	0
TOTAL:	29	20.9	1	3.4	1

CAMPUS POPULATION STATISTICS
(1989 Fall Term Campus Population)

FTE Undergraduate Students (Resident)	:	982
FTE Undergraduate Students (Commuting)	:	181
FTE Graduate Students (Resident)	:	4
FTE Graduate Students (Commuting)	:	14
Staff Personnel	:	107
Faculty Personnel	:	95
Security Personnel (Non-commissioned)	:	6
Security Personnel (Commissioned)	:	0
TOTAL :		1,389

Free-Will Baptist Bible College

Nashville

Offense Category	Offenses Reported	Rate Per 1,000	Offenses Cleared	% Cleared	Clearances Involving Persons Under 18 Years
Homicide	0	0.0	0	0.0	0
Manslaughter	0	0.0	0	0.0	0
Rape	0	0.0	0	0.0	0
Robbery	0	0.0	0	0.0	0
Assault	0	0.0	0	0.0	0
Burglary	0	0.0	0	0.0	0
Larceny	0	0.0	0	0.0	0
Vehicle Theft	0	0.0	0	0.0	0
Arson	0	0.0	0	0.0	0
Forgery	0	0.0	0	0.0	0
Fraud	0	0.0	0	0.0	0
Embezzlement	0	0.0	0	0.0	0
Stolen Property	0	0.0	0	0.0	0
Vandalism	0	0.0	0	0.0	0
Weapons	0	0.0	0	0.0	0
Prostitution	0	0.0	0	0.0	0
Sex Offenses	0	0.0	0	0.0	0
Drugs (Sale/Manuf)	0	0.0	0	0.0	0
Drugs (Possession)	0	0.0	0	0.0	0
Gambling	0	0.0	0	0.0	0
Family Offenses	0	0.0	0	0.0	0
DUI	0	0.0	0	0.0	0
Liquor Laws	0	0.0	0	0.0	0
Drunkenness	0	0.0	0	0.0	0
Disorderly Conduct	0	0.0	0	0.0	0
Vagrancy	0	0.0	0	0.0	0
All Other Offenses	0	0.0	0	0.0	0
Suspicion	0	0.0	0	0.0	0
TOTAL:	0	0.0	0	0.0	0

**CAMPUS POPULATION STATISTICS
(1989 Fall Term Campus Population)**

FTE Undergraduate Students (Resident)	:	179
FTE Undergraduate Students (Commuting)	:	91
FTE Graduate Students (Resident)	:	0
FTE Graduate Students (Commuting)	:	0
Staff Personnel	:	38
Faculty Personnel	:	25
Security Personnel (Non-commissioned)	:	2
Security Personnel (Commissioned)	:	0
TOTAL :		335

Hiwassee College

Madisonville

Offense Category	Offenses Reported	Rate Per 1,000	Offenses Cleared	% Cleared	Clearances Involving Persons Under 18 Years
Homicide	0	0.0	0	0.0	0
Manslaughter	0	0.0	0	0.0	0
Rape	0	0.0	0	0.0	0
Robbery	0	0.0	0	0.0	0
Assault	2	3.4	1	50.0	1
Burglary	0	0.0	0	0.0	0
Larceny	1	1.7	0	0.0	0
Vehicle Theft	0	0.0	0	0.0	0
Arson	0	0.0	0	0.0	0
Forgery	0	0.0	0	0.0	0
Fraud	0	0.0	0	0.0	0
Embezzlement	0	0.0	0	0.0	0
Stolen Property	0	0.0	0	0.0	0
Vandalism	0	0.0	0	0.0	0
Weapons	0	0.0	0	0.0	0
Prostitution	0	0.0	0	0.0	0
Sex Offenses	0	0.0	0	0.0	0
Drugs (Sale/Manuf)	0	0.0	0	0.0	0
Drugs (Possession)	0	0.0	0	0.0	0
Gambling	0	0.0	0	0.0	0
Family Offenses	0	0.0	0	0.0	0
DUI	0	0.0	0	0.0	0
Liquor Laws	0	0.0	0	0.0	0
Drunkenness	0	0.0	0	0.0	0
Disorderly Conduct	0	0.0	0	0.0	0
Vagrancy	0	0.0	0	0.0	0
All Other Offenses	0	0.0	0	0.0	0
Suspicion	0	0.0	0	0.0	0
TOTAL:	3	5.2	1	33.3	1

CAMPUS POPULATION STATISTICS
(1989 Fall Term Campus Population)

FTE Undergraduate Students (Resident)	: 320
FTE Undergraduate Students (Commuting)	: 188
FTE Graduate Students (Resident)	: 0
FTE Graduate Students (Commuting)	: 0
Staff Personnel	: 36
Faculty Personnel	: 36
Security Personnel (Non-commissioned)	: 0
Security Personnel (Commissioned)	: 1
TOTAL :	581

Jackson State Community College

Jackson

Offense Category	Offenses Reported	Rate Per 1,000	Offenses Cleared	% Cleared	Clearances Involving Persons Under 18 Years
Homicide	0	0.0	0	0.0	0
Manslaughter	0	0.0	0	0.0	0
Rape	0	0.0	0	0.0	0
Robbery	0	0.0	0	0.0	0
Assault	0	0.0	0	0.0	0
Burglary	0	0.0	0	0.0	0
Larceny	0	0.0	0	0.0	0
Vehicle Theft	0	0.0	0	0.0	0
Arson	0	0.0	0	0.0	0
Forgery	0	0.0	0	0.0	0
Fraud	1	0.3	0	0.0	0
Embezzlement	0	0.0	0	0.0	0
Stolen Property	0	0.0	0	0.0	0
Vandalism	0	0.0	0	0.0	0
Weapons	0	0.0	0	0.0	0
Prostitution	0	0.0	0	0.0	0
Sex Offenses	2	0.6	1	50.0	0
Drugs (Sale/Manuf)	0	0.0	0	0.0	0
Drugs (Possession)	0	0.0	0	0.0	0
Gambling	0	0.0	0	0.0	0
Family Offenses	0	0.0	0	0.0	0
DUI	0	0.0	0	0.0	0
Liquor Laws	0	0.0	0	0.0	0
Drunkenness	0	0.0	0	0.0	0
Disorderly Conduct	0	0.0	0	0.0	0
Vagrancy	0	0.0	0	0.0	0
All Other Offenses	0	0.0	0	0.0	0
Suspicion	0	0.0	0	0.0	0
TOTAL:	3	0.9	1	33.3	0

CAMPUS POPULATION STATISTICS
(1989 Fall Term Campus Population)

FTE Undergraduate Students (Resident)	:	0
FTE Undergraduate Students (Commuting)	:	3,096
FTE Graduate Students (Resident)	:	0
FTE Graduate Students (Commuting)	:	0
Staff Personnel	:	92
Faculty Personnel	:	80
Security Personnel (Non-commissioned)	:	5
Security Personnel (Commissioned)	:	0
TOTAL :		3,273

John A. Gupton College

Nashville

Offense Category	Offenses Reported	Rate Per 1,000	Offenses Cleared	% Cleared	Clearances Involving Persons Under 18 Years
Homicide					
Manslaughter					
Rape					
Robbery					
Assault					
Burglary					
Larceny					
Vehicle Theft					
Arson					
Forgery					
Fraud					
Embezzlement					
Stolen Property					
Vandalism					
Weapons					
Prostitution					
Sex Offenses					
Drugs (Sale/Manuf)					
Drugs (Possession)					
Gambling					
Family Offenses					
DUI					
Liquor Laws					
Drunkenness					
Disorderly Conduct					
Vagrancy					
All Other Offenses					
Suspicion					

REQUIRED DATA NOT SUBMITTED

TOTAL:

CAMPUS POPULATION STATISTICS
(1989 Fall Term Campus Population)

FTE Undergraduate Students (Resident)	:
FTE Undergraduate Students (Commuting)	:
FTE Graduate Students (Resident)	:
FTE Graduate Students (Commuting)	:
Staff Personnel	:
Faculty Personnel	:
Security Personnel (Non-commissioned)	:
Security Personnel (Commissioned)	:

TOTAL :

Johnson Bible College

Knoxville

Offense Category	Offenses Reported	Rate Per 1,000	Offenses Cleared	% Cleared	Clearances Involving Persons Under 18 Years
Homicide	0	0.0	0	0.0	0
Manslaughter	0	0.0	0	0.0	0
Rape	0	0.0	0	0.0	0
Robbery	0	0.0	0	0.0	0
Assault	0	0.0	0	0.0	0
Burglary	0	0.0	0	0.0	0
Larceny	0	0.0	0	0.0	0
Vehicle Theft	0	0.0	0	0.0	0
Arson	0	0.0	0	0.0	0
Forgery	0	0.0	0	0.0	0
Fraud	0	0.0	0	0.0	0
Embezzlement	0	0.0	0	0.0	0
Stolen Property	0	0.0	0	0.0	0
Vandalism	0	0.0	0	0.0	0
Weapons	0	0.0	0	0.0	0
Prostitution	0	0.0	0	0.0	0
Sex Offenses	0	0.0	0	0.0	0
Drugs (Sale/Manuf)	0	0.0	0	0.0	0
Drugs (Possession)	0	0.0	0	0.0	0
Gambling	0	0.0	0	0.0	0
Family Offenses	0	0.0	0	0.0	0
DUI	0	0.0	0	0.0	0
Liquor Laws	0	0.0	0	0.0	0
Drunkenness	0	0.0	0	0.0	0
Disorderly Conduct	0	0.0	0	0.0	0
Vagrancy	0	0.0	0	0.0	0
All Other Offenses	0	0.0	0	0.0	0
Suspicion	0	0.0	0	0.0	0
TOTAL:	0	0.0	0	0.0	0

**CAMPUS POPULATION STATISTICS
(1989 Fall Term Campus Population)**

FTE Undergraduate Students (Resident)	:	357
FTE Undergraduate Students (Commuting)	:	14
FTE Graduate Students (Resident)	:	7
FTE Graduate Students (Commuting)	:	12
Staff Personnel	:	74
Faculty Personnel	:	30
Security Personnel (Non-commissioned)	:	13
Security Personnel (Commissioned)	:	0
TOTAL :		507

King College

Bristol

Offense Category	Offenses Reported	Rate Per 1,000	Offenses Cleared	% Cleared	Clearances Involving Persons Under 18 Years
Homicide	0	0.0	0	0.0	0
Manslaughter	0	0.0	0	0.0	0
Rape	0	0.0	0	0.0	0
Robbery	0	0.0	0	0.0	0
Assault	0	0.0	0	0.0	0
Burglary	0	0.0	0	0.0	0
Larceny	1	1.4	0	0.0	0
Vehicle Theft	0	0.0	0	0.0	0
Arson	0	0.0	0	0.0	0
Forgery	0	0.0	0	0.0	0
Fraud	0	0.0	0	0.0	0
Embezzlement	0	0.0	0	0.0	0
Stolen Property	0	0.0	0	0.0	0
Vandalism	5	6.9	0	0.0	0
Weapons	0	0.0	0	0.0	0
Prostitution	0	0.0	0	0.0	0
Sex Offenses	0	0.0	0	0.0	0
Drugs (Sale/Manuf)	0	0.0	0	0.0	0
Drugs (Possession)	0	0.0	0	0.0	0
Gambling	0	0.0	0	0.0	0
Family Offenses	0	0.0	0	0.0	0
DUI	0	0.0	0	0.0	0
Liquor Laws	0	0.0	0	0.0	0
Drunkenness	0	0.0	0	0.0	0
Disorderly Conduct	0	0.0	0	0.0	0
Vagrancy	0	0.0	0	0.0	0
All Other Offenses	0	0.0	0	0.0	0
Suspicion	0	0.0	0	0.0	0
TOTAL:	6	8.3	0	0.0	0

CAMPUS POPULATION STATISTICS
(1989 Fall Term Campus Population)

FTE Undergraduate Students (Resident)	:	448
FTE Undergraduate Students (Commuting)	:	137
FTE Graduate Students (Resident)	:	0
FTE Graduate Students (Commuting)	:	0
Staff Personnel	:	86
Faculty Personnel	:	53
Security Personnel (Non-commissioned)	:	2
Security Personnel (Commissioned)	:	1
TOTAL :		727

Knoxville College

Knoxville

Offense Category	Offenses Reported	Rate Per 1,000	Offenses Cleared	% Cleared	Clearances Involving Persons Under 18 Years
Homicide	0	0.0	0	0.0	0
Manslaughter	0	0.0	0	0.0	0
Rape	0	0.0	0	0.0	0
Robbery	8	5.9	8	100.0	0
Assault	12	8.8	12	100.0	0
Burglary	16	11.8	16	100.0	0
Larceny	1	0.7	1	100.0	0
Vehicle Theft	1	0.7	1	100.0	0
Arson	0	0.0	0	0.0	0
Forgery	0	0.0	0	0.0	0
Fraud	1	0.7	1	100.0	0
Embezzlement	2	1.5	2	100.0	1
Stolen Property	1	0.7	1	100.0	1
Vandalism	5	3.7	2	40.0	0
Weapons	2	1.5	2	100.0	0
Prostitution	0	0.0	0	0.0	0
Sex Offenses	1	0.7	1	100.0	0
Drugs (Sale/Manuf)	1	0.7	1	100.0	0
Drugs (Possession)	0	0.0	0	0.0	0
Gambling	5	3.7	5	100.0	0
Family Offenses	0	0.0	0	0.0	0
DUI	0	0.0	0	0.0	0
Liquor Laws	0	0.0	0	0.0	0
Drunkenness	5	3.7	5	100.0	0
Disorderly Conduct	0	0.0	0	0.0	0
Vagrancy	0	0.0	0	0.0	0
All Other Offenses	0	0.0	0	0.0	0
Suspicion	0	0.0	0	0.0	0
TOTAL:	61	45.0	58	95.1	2

**CAMPUS POPULATION STATISTICS
(1989 Fall Term Campus Population)**

FTE Undergraduate Students (Resident)	:	1,043
FTE Undergraduate Students (Commuting)	:	171
FTE Graduate Students (Resident)	:	0
FTE Graduate Students (Commuting)	:	0
Staff Personnel	:	74
Faculty Personnel	:	63
Security Personnel (Non-commissioned)	:	3
Security Personnel (Commissioned)	:	3
TOTAL :		1,357

Lambuth College

Jackson

Offense Category	Offenses Reported	Rate Per 1,000	Offenses Cleared	% Cleared	Clearances Involving Persons Under 18 Years
Homicide	0	0.0	0	0.0	0
Manslaughter	0	0.0	0	0.0	0
Rape	1	1.4	0	0.0	0
Robbery	0	0.0	0	0.0	0
Assault	0	0.0	0	0.0	0
Burglary	5	6.9	0	0.0	0
Larceny	0	0.0	0	0.0	0
Vehicle Theft	4	5.5	0	0.0	0
Arson	0	0.0	0	0.0	0
Forgery	0	0.0	0	0.0	0
Fraud	0	0.0	0	0.0	0
Embezzlement	0	0.0	0	0.0	0
Stolen Property	0	0.0	0	0.0	0
Vandalism	7	9.7	0	0.0	0
Weapons	0	0.0	0	0.0	0
Prostitution	0	0.0	0	0.0	0
Sex Offenses	0	0.0	0	0.0	0
Drugs (Sale/Manuf)	0	0.0	0	0.0	0
Drugs (Possession)	0	0.0	0	0.0	0
Gambling	0	0.0	0	0.0	0
Family Offenses	0	0.0	0	0.0	0
DUI	0	0.0	0	0.0	0
Liquor Laws	0	0.0	0	0.0	0
Drunkenness	0	0.0	0	0.0	0
Disorderly Conduct	0	0.0	0	0.0	0
Vagrancy	0	0.0	0	0.0	0
All Other Offenses	0	0.0	0	0.0	0
Suspicion	0	0.0	0	0.0	0
TOTAL:	17	23.5	0	0.0	0

**CAMPUS POPULATION STATISTICS
(1989 Fall Term Campus Population)**

FTE Undergraduate Students (Resident)	:	451
FTE Undergraduate Students (Commuting)	:	188
FTE Graduate Students (Resident)	:	0
FTE Graduate Students (Commuting)	:	0
Staff Personnel	:	22
Faculty Personnel	:	56
Security Personnel (Non-commissioned)	:	5
Security Personnel (Commissioned)	:	1
TOTAL :		723

Lane College

Jackson

Offense Category	Offenses Reported	Rate Per 1,000	Offenses Cleared	% Cleared	Clearances Involving Persons Under 18 Years
Homicide	0	0.0	0	0.0	0
Manslaughter	0	0.0	0	0.0	0
Rape	0	0.0	0	0.0	0
Robbery	0	0.0	0	0.0	0
Assault	7	10.3	5	71.4	0
Burglary	4	5.9	1	25.0	0
Larceny	0	0.0	0	0.0	0
Vehicle Theft	0	0.0	0	0.0	0
Arson	0	0.0	0	0.0	0
Forgery	0	0.0	0	0.0	0
Fraud	1	1.5	1	100.0	0
Embezzlement	0	0.0	0	0.0	0
Stolen Property	0	0.0	0	0.0	0
Vandalism	2	3.0	1	50.0	0
Weapons	2	3.0	2	100.0	0
Prostitution	0	0.0	0	0.0	0
Sex Offenses	0	0.0	0	0.0	0
Drugs (Sale/Manuf)	0	0.0	0	0.0	0
Drugs (Possession)	0	0.0	0	0.0	0
Gambling	0	0.0	0	0.0	0
Family Offenses	0	0.0	0	0.0	0
DUI	0	0.0	0	0.0	0
Liquor Laws	1	1.5	0	0.0	0
Drunkenness	2	3.0	1	50.0	0
Disorderly Conduct	18	26.6	4	22.2	0
Vagrancy	0	0.0	0	0.0	0
All Other Offenses	1	1.5	1	100.0	0
Suspicion	2	3.0	0	0.0	0
TOTAL:	40	59.9	16	40.0	0

CAMPUS POPULATION STATISTICS
(1989 Fall Term Campus Population)

FTE Undergraduate Students (Resident)	:	367
FTE Undergraduate Students (Commuting)	:	169
FTE Graduate Students (Resident)	:	0
FTE Graduate Students (Commuting)	:	0
Staff Personnel	:	94
Faculty Personnel	:	41
Security Personnel (Non-commissioned)	:	6
Security Personnel (Commissioned)	:	1
TOTAL :		677

Lee College

Cleveland

Offense Category	Offenses Reported	Rate Per 1,000	Offenses Cleared	% Cleared	Clearances Involving Persons Under 18 Years
Homicide	0	0.0	0	0.0	0
Manslaughter	0	0.0	0	0.0	0
Rape	0	0.0	0	0.0	0
Robbery	0	0.0	0	0.0	0
Assault	0	0.0	0	0.0	0
Burglary	7	3.9	0	0.0	0
Larceny	0	0.0	0	0.0	0
Vehicle Theft	0	0.0	0	0.0	0
Arson	0	0.0	0	0.0	0
Forgery	0	0.0	0	0.0	0
Fraud	0	0.0	0	0.0	0
Embezzlement	0	0.0	0	0.0	0
Stolen Property	0	0.0	0	0.0	0
Vandalism	0	0.0	0	0.0	0
Weapons	0	0.0	0	0.0	0
Prostitution	0	0.0	0	0.0	0
Sex Offenses	0	0.0	0	0.0	0
Drugs (Sale/Manuf)	0	0.0	0	0.0	0
Drugs (Possession)	0	0.0	0	0.0	0
Gambling	0	0.0	0	0.0	0
Family Offenses	0	0.0	0	0.0	0
DUI	0	0.0	0	0.0	0
Liquor Laws	0	0.0	0	0.0	0
Drunkenness	0	0.0	0	0.0	0
Disorderly Conduct	0	0.0	0	0.0	0
Vagrancy	0	0.0	0	0.0	0
All Other Offenses	0	0.0	0	0.0	0
Suspicion	0	0.0	0	0.0	0
TOTAL:	7	3.9	0	0.0	0

**CAMPUS POPULATION STATISTICS
(1989 Fall Term Campus Population)**

FTE Undergraduate Students (Resident)	:	990
FTE Undergraduate Students (Commuting)	:	600
FTE Graduate Students (Resident)	:	0
FTE Graduate Students (Commuting)	:	0
Staff Personnel	:	125
Faculty Personnel	:	74
Security Personnel (Non-commissioned)	:	7
Security Personnel (Commissioned)	:	0
TOTAL :		1,796

LeMoyne-Owen College

Memphis

Offense Category =====	Offenses Reported =====	Rate Per 1,000 =====	Offenses Cleared =====	% Cleared =====	Clearances Involving Persons Under 18 Years =====
Homicide	0	0.0	0	0.0	0
Manslaughter	0	0.0	0	0.0	0
Rape	0	0.0	0	0.0	0
Robbery	0	0.0	0	0.0	0
Assault	0	0.0	0	0.0	0
Burglary	0	0.0	0	0.0	0
Larceny	1	0.9	0	0.0	0
Vehicle Theft	2	1.7	0	0.0	0
Arson	0	0.0	0	0.0	0
Forgery	0	0.0	0	0.0	0
Fraud	0	0.0	0	0.0	0
Embezzlement	0	0.0	0	0.0	0
Stolen Property	0	0.0	0	0.0	0
Vandalism	0	0.0	0	0.0	0
Weapons	0	0.0	0	0.0	0
Prostitution	0	0.0	0	0.0	0
Sex Offenses	0	0.0	0	0.0	0
Drugs (Sale/Manuf)	0	0.0	0	0.0	0
Drugs (Possession)	0	0.0	0	0.0	0
Gambling	0	0.0	0	0.0	0
Family Offenses	0	0.0	0	0.0	0
DUI	0	0.0	0	0.0	0
Liquor Laws	0	0.0	0	0.0	0
Drunkenness	0	0.0	0	0.0	0
Disorderly Conduct	0	0.0	0	0.0	0
Vagrancy	0	0.0	0	0.0	0
All Other Offenses	0	0.0	0	0.0	0
Suspicion	0	0.0	0	0.0	0
TOTAL:	3	2.6	0	0.0	0

**CAMPUS POPULATION STATISTICS
(1989 Fall Term Campus Population)**

FTE Undergraduate Students (Resident)	20
FTE Undergraduate Students (Commuting)	982
FTE Graduate Students (Resident)	0
FTE Graduate Students (Commuting)	0
Staff Personnel	130
Faculty Personnel	35
Security Personnel (Non-commissioned)	0
Security Personnel (Commissioned)	5
TOTAL :	1,172

Lincoln Memorial University

Harrogate

Offense Category	Offenses Reported	Rate Per 1,000	Offenses Cleared	% Cleared	Clearances Involving Persons Under 18 Years
Homicide	0	0.0	0	0.0	0
Manslaughter	0	0.0	0	0.0	0
Rape	0	0.0	0	0.0	0
Robbery	0	0.0	0	0.0	0
Assault	2	1.6	2	100.0	0
Burglary	3	2.4	0	0.0	0
Larceny	1	0.8	0	0.0	0
Vehicle Theft	0	0.0	0	0.0	0
Arson	0	0.0	0	0.0	0
Forgery	0	0.0	0	0.0	0
Fraud	1	0.8	1	100.0	0
Embezzlement	0	0.0	0	0.0	0
Stolen Property	0	0.0	0	0.0	0
Vandalism	5	4.0	2	40.0	0
Weapons	2	1.6	2	100.0	0
Prostitution	0	0.0	0	0.0	0
Sex Offenses	0	0.0	0	0.0	0
Drugs (Sale/Manuf)	0	0.0	0	0.0	0
Drugs (Possession)	0	0.0	0	0.0	0
Gambling	0	0.0	0	0.0	0
Family Offenses	0	0.0	0	0.0	0
DUI	0	0.0	0	0.0	0
Liquor Laws	0	0.0	0	0.0	0
Drunkenness	5	4.0	5	100.0	0
Disorderly Conduct	0	0.0	0	0.0	0
Vagrancy	0	0.0	0	0.0	0
All Other Offenses	0	0.0	0	0.0	0
Suspicion	0	0.0	0	0.0	0
TOTAL:	19	15.2	12	63.2	0

CAMPUS POPULATION STATISTICS
(1989 Fall Term Campus Population)

FTE Undergraduate Students (Resident)	: 410
FTE Undergraduate Students (Commuting)	: 672
FTE Graduate Students (Resident)	: 1
FTE Graduate Students (Commuting)	: 6
Staff Personnel	: 96
Faculty Personnel	: 59
Security Personnel (Non-commissioned)	: 4
Security Personnel (Commissioned)	: 0
TOTAL :	1,248

Martin Methodist College

Pulaski

Offense Category	Offenses Reported	Rate Per 1,000	Offenses Cleared	% Cleared	Clearances Involving Persons Under 18 Years
Homicide	0	0.0	0	0.0	0
Manslaughter	0	0.0	0	0.0	0
Rape	0	0.0	0	0.0	0
Robbery	0	0.0	0	0.0	0
Assault	0	0.0	0	0.0	0
Burglary	0	0.0	0	0.0	0
Larceny	0	0.0	0	0.0	0
Vehicle Theft	0	0.0	0	0.0	0
Arson	0	0.0	0	0.0	0
Forgery	0	0.0	0	0.0	0
Fraud	0	0.0	0	0.0	0
Embezzlement	0	0.0	0	0.0	0
Stolen Property	0	0.0	0	0.0	0
Vandalism	0	0.0	0	0.0	0
Weapons	0	0.0	0	0.0	0
Prostitution	0	0.0	0	0.0	0
Sex Offenses	0	0.0	0	0.0	0
Drugs (Sale/Manuf)	0	0.0	0	0.0	0
Drugs (Possession)	0	0.0	0	0.0	0
Gambling	0	0.0	0	0.0	0
Family Offenses	0	0.0	0	0.0	0
DUI	0	0.0	0	0.0	0
Liquor Laws	0	0.0	0	0.0	0
Drunkenness	0	0.0	0	0.0	0
Disorderly Conduct	0	0.0	0	0.0	0
Vagrancy	0	0.0	0	0.0	0
All Other Offenses	0	0.0	0	0.0	0
Suspicion	0	0.0	0	0.0	0
TOTAL:	0	0.0	0	0.0	0

**CAMPUS POPULATION STATISTICS
(1989 Fall Term Campus Population)**

FTE Undergraduate Students (Resident)	184
FTE Undergraduate Students (Commuting)	191
FTE Graduate Students (Resident)	0
FTE Graduate Students (Commuting)	0
Staff Personnel	32
Faculty Personnel	20
Security Personnel (Non-commissioned)	0
Security Personnel (Commissioned)	0
TOTAL :	427

Maryville College

Maryville

Offense Category	Offenses Reported	Rate Per 1,000	Offenses Cleared	% Cleared	Clearances Involving Persons Under 18 Years
Homicide	0	0.0	0	0.0	0
Manslaughter	0	0.0	0	0.0	0
Rape	0	0.0	0	0.0	0
Robbery	0	0.0	0	0.0	0
Assault	0	0.0	0	0.0	0
Burglary	0	0.0	0	0.0	0
Larceny	3	3.4	0	0.0	0
Vehicle Theft	0	0.0	0	0.0	0
Arson	0	0.0	0	0.0	0
Forgery	0	0.0	0	0.0	0
Fraud	0	0.0	0	0.0	0
Embezzlement	0	0.0	0	0.0	0
Stolen Property	0	0.0	0	0.0	0
Vandalism	2	2.2	0	0.0	0
Weapons	0	0.0	0	0.0	0
Prostitution	0	0.0	0	0.0	0
Sex Offenses	0	0.0	0	0.0	0
Drugs (Sale/Manuf)	0	0.0	0	0.0	0
Drugs (Possession)	0	0.0	0	0.0	0
Gambling	0	0.0	0	0.0	0
Family Offenses	0	0.0	0	0.0	0
DUI	0	0.0	0	0.0	0
Liquor Laws	0	0.0	0	0.0	0
Drunkenness	0	0.0	0	0.0	0
Disorderly Conduct	0	0.0	0	0.0	0
Vagrancy	0	0.0	0	0.0	0
All Other Offenses	0	0.0	0	0.0	0
Suspicion	0	0.0	0	0.0	0
TOTAL:	5	5.6	0	0.0	0

CAMPUS POPULATION STATISTICS
(1989 Fall Term Campus Population)

FTE Undergraduate Students (Resident)	:	444
FTE Undergraduate Students (Commuting)	:	254
FTE Graduate Students (Resident)	:	0
FTE Graduate Students (Commuting)	:	0
Staff Personnel	:	142
Faculty Personnel	:	4
Security Personnel (Non-commissioned)	:	1
Security Personnel (Commissioned)	:	3
TOTAL :		890

Meharry Medical College

Nashville

Offense Category	Offenses Reported	Rate Per 1,000	Offenses Cleared	% Cleared	Clearances Involving Persons Under 18 Years
Homicide	0	0.0	0	0.0	0
Manslaughter	0	0.0	0	0.0	0
Rape	0	0.0	0	0.0	0
Robbery	0	0.0	0	0.0	0
Assault	0	0.0	0	0.0	0
Burglary	0	0.0	0	0.0	0
Larceny	27	12.3	0	0.0	0
Vehicle Theft	2	0.9	0	0.0	0
Arson	0	0.0	0	0.0	0
Forgery	0	0.0	0	0.0	0
Fraud	0	0.0	0	0.0	0
Embezzlement	0	0.0	0	0.0	0
Stolen Property	0	0.0	0	0.0	0
Vandalism	5	2.3	0	0.0	0
Weapons	0	0.0	0	0.0	0
Prostitution	0	0.0	0	0.0	0
Sex Offenses	0	0.0	0	0.0	0
Drugs (Sale/Manuf)	0	0.0	0	0.0	0
Drugs (Possession)	0	0.0	0	0.0	0
Gambling	0	0.0	0	0.0	0
Family Offenses	0	0.0	0	0.0	0
DUI	0	0.0	0	0.0	0
Liquor Laws	0	0.0	0	0.0	0
Drunkenness	0	0.0	0	0.0	0
Disorderly Conduct	0	0.0	0	0.0	0
Vagrancy	0	0.0	0	0.0	0
All Other Offenses	0	0.0	0	0.0	0
Suspicion	0	0.0	0	0.0	0
TOTAL:	34	15.5	0	0.0	0

CAMPUS POPULATION STATISTICS
(1989 Fall Term Campus Population)

FTE Undergraduate Students (Resident)	:	0
FTE Undergraduate Students (Commuting)	:	0
FTE Graduate Students (Resident)	:	166
FTE Graduate Students (Commuting)	:	495
Staff Personnel	:	1,212
Faculty Personnel	:	288
Security Personnel (Non-commissioned)	:	27
Security Personnel (Commissioned)	:	8
TOTAL :		2,196

Memphis College of Art

Memphis

Offense Category	Offenses Reported	Rate Per 1,000	Offenses Cleared	% Cleared	Clearances Involving Persons Under 18 Years
Homicide	0	0.0	0	0.0	0
Manslaughter	0	0.0	0	0.0	0
Rape	0	0.0	0	0.0	0
Robbery	0	0.0	0	0.0	0
Assault	0	0.0	0	0.0	0
Burglary	0	0.0	0	0.0	0
Larceny	3	10.0	0	0.0	0
Vehicle Theft	0	0.0	0	0.0	0
Arson	0	0.0	0	0.0	0
Forgery	0	0.0	0	0.0	0
Fraud	0	0.0	0	0.0	0
Embezzlement	0	0.0	0	0.0	0
Stolen Property	0	0.0	0	0.0	0
Vandalism	0	0.0	0	0.0	0
Weapons	0	0.0	0	0.0	0
Prostitution	0	0.0	0	0.0	0
Sex Offenses	0	0.0	0	0.0	0
Drugs (Sale/Manuf)	0	0.0	0	0.0	0
Drugs (Possession)	0	0.0	0	0.0	0
Gambling	0	0.0	0	0.0	0
Family Offenses	0	0.0	0	0.0	0
DUI	0	0.0	0	0.0	0
Liquor Laws	0	0.0	0	0.0	0
Drunkenness	0	0.0	0	0.0	0
Disorderly Conduct	0	0.0	0	0.0	0
Vagrancy	0	0.0	0	0.0	0
All Other Offenses	0	0.0	0	0.0	0
Suspicion	0	0.0	0	0.0	0
TOTAL:	3	10.0	0	0.0	0

CAMPUS POPULATION STATISTICS
(1989 Fall Term Campus Population)

FTE Undergraduate Students (Resident)	:	5
FTE Undergraduate Students (Commuting)	:	211
FTE Graduate Students (Resident)	:	1
FTE Graduate Students (Commuting)	:	15
Staff Personnel	:	33
Faculty Personnel	:	34
Security Personnel (Non-commissioned)	:	1
Security Personnel (Commissioned)	:	0
TOTAL :		300

Memphis State University

Memphis

<u>Offense Category</u>	<u>Offenses Reported</u>	<u>Rate Per 1,000</u>	<u>Offenses Cleared</u>	<u>% Cleared</u>	<u>Clearances Involving Persons Under 18 Years</u>
Homicide	0	0.0	0	0.0	0
Manslaughter	0	0.0	0	0.0	0
Rape	0	0.0	0	0.0	0
Robbery	0	0.0	0	0.0	0
Assault	4	0.2	4	100.0	0
Burglary	2	0.1	0	0.0	0
Larceny	100	5.3	11	11.0	2
Vehicle Theft	7	0.4	0	0.0	0
Arson	0	0.0	0	0.0	0
Forgery	0	0.0	0	0.0	0
Fraud	0	0.0	0	0.0	0
Embezzlement	0	0.0	0	0.0	0
Stolen Property	0	0.0	0	0.0	0
Vandalism	30	1.6	2	6.7	0
Weapons	1	0.1	1	100.0	0
Prostitution	0	0.0	0	0.0	0
Sex Offenses	4	0.2	1	25.0	0
Drugs (Sale/Manuf)	0	0.0	0	0.0	0
Drugs (Possession)	1	0.1	1	100.0	1
Gambling	0	0.0	0	0.0	0
Family Offenses	0	0.0	0	0.0	0
DUI	3	0.2	3	100.0	0
Liquor Laws	6	0.3	5	83.3	0
Drunkenness	3	0.2	3	100.0	0
Disorderly Conduct	4	0.2	3	75.0	0
Vagrancy	0	0.0	0	0.0	0
All Other Offenses	9	0.5	8	88.9	1
Suspicion	2	0.1	0	0.0	0
TOTAL:	176	9.3	42	23.9	4

**CAMPUS POPULATION STATISTICS
(1989 Fall Term Campus Population)**

FTE Undergraduate Students (Resident)	:	2,222
FTE Undergraduate Students (Commuting)	:	10,858
FTE Graduate Students (Resident)	:	102
FTE Graduate Students (Commuting)	:	2,349
Staff Personnel	:	2,050
Faculty Personnel	:	1,250
Security Personnel (Non-commissioned)	:	22
Security Personnel (Commissioned)	:	26
TOTAL :		18,879

Middle Tennessee State University

Murfreesboro

Offense Category	Offenses Reported	Rate Per 1,000	Offenses Cleared	% Cleared	Clearances Involving Persons Under 18 Years
Homicide	0	0.0	0	0.0	0
Manslaughter	0	0.0	0	0.0	0
Rape	0	0.0	0	0.0	0
Robbery	0	0.0	0	0.0	0
Assault	7	0.5	5	71.4	0
Burglary	32	2.4	1	3.1	0
Larceny	83	6.2	3	3.6	0
Vehicle Theft	4	0.3	1	25.0	0
Arson	0	0.0	0	0.0	0
Forgery	1	0.1	1	100.0	0
Fraud	1	0.1	1	100.0	0
Embezzlement	0	0.0	0	0.0	0
Stolen Property	6	0.5	6	100.0	0
Vandalism	25	1.9	2	8.0	0
Weapons	3	0.2	3	100.0	0
Prostitution	0	0.0	0	0.0	0
Sex Offenses	0	0.0	0	0.0	0
Drugs (Sale/Manuf)	0	0.0	0	0.0	0
Drugs (Possession)	2	0.2	2	100.0	0
Gambling	0	0.0	0	0.0	0
Family Offenses	2	0.2	2	100.0	0
DUI	11	0.8	11	100.0	0
Liquor Laws	4	0.3	3	75.0	0
Drunkenness	19	1.4	19	100.0	0
Disorderly Conduct	10	0.8	8	80.0	0
Vagrancy	14	1.1	10	71.4	0
All Other Offenses	7	0.5	7	100.0	0
Suspicion	0	0.0	0	0.0	0
TOTAL:	231	17.4	85	36.8	0

CAMPUS POPULATION STATISTICS
(1989 Fall Term Campus Population)

FTE Undergraduate Students (Resident)	:	3,297
FTE Undergraduate Students (Commuting)	:	8,131
FTE Graduate Students (Resident)	:	27
FTE Graduate Students (Commuting)	:	695
Staff Personnel	:	666
Faculty Personnel	:	455
Security Personnel (Non-commissioned)	:	3
Security Personnel (Commissioned)	:	10
TOTAL :		13,284

Milligan College

Milligan College

Offense Category	Offenses Reported	Rate Per 1,000	Offenses Cleared	% Cleared	Clearances Involving Persons Under 18 Years
Homicide	0	0.0	0	0.0	0
Manslaughter	0	0.0	0	0.0	0
Rape	0	0.0	0	0.0	0
Robbery	0	0.0	0	0.0	0
Assault	0	0.0	0	0.0	0
Burglary	0	0.0	0	0.0	0
Larceny	0	0.0	0	0.0	0
Vehicle Theft	0	0.0	0	0.0	0
Arson	0	0.0	0	0.0	0
Forgery	0	0.0	0	0.0	0
Fraud	0	0.0	0	0.0	0
Embezzlement	0	0.0	0	0.0	0
Stolen Property	0	0.0	0	0.0	0
Vandalism	0	0.0	0	0.0	0
Weapons	0	0.0	0	0.0	0
Prostitution	0	0.0	0	0.0	0
Sex Offenses	0	0.0	0	0.0	0
Drugs (Sale/Manuf)	0	0.0	0	0.0	0
Drugs (Possession)	0	0.0	0	0.0	0
Gambling	0	0.0	0	0.0	0
Family Offenses	0	0.0	0	0.0	0
DUI	0	0.0	0	0.0	0
Liquor Laws	0	0.0	0	0.0	0
Drunkenness	0	0.0	0	0.0	0
Disorderly Conduct	0	0.0	0	0.0	0
Vagrancy	0	0.0	0	0.0	0
All Other Offenses	0	0.0	0	0.0	0
Suspicion	0	0.0	0	0.0	0
TOTAL:	0	0.0	0	0.0	0

CAMPUS POPULATION STATISTICS
(1989 Fall Term Campus Population)

FTE Undergraduate Students (Resident)	:	573
FTE Undergraduate Students (Commuting)	:	160
FTE Graduate Students (Resident)	:	1
FTE Graduate Students (Commuting)	:	26
Staff Personnel	:	74
Faculty Personnel	:	63
Security Personnel (Non-commissioned)	:	4
Security Personnel (Commissioned)	:	1
TOTAL	:	902

Morristown College

Morristown

Offense Category	Offenses Reported	Rate Per 1,000	Offenses Cleared	% Cleared	Clearances Involving Persons Under 18 Years
Homicide					
Manslaughter					
Rape					
Robbery					
Assault					
Burglary					
Larceny					
Vehicle Theft					
Arson					
Forgery					
Fraud					
Embezzlement					
Stolen Property					
Vandalism					
Weapons	REQUIRED DATA NOT SUBMITTED				
Prostitution					
Sex Offenses					
Drugs (Sale/Manuf)					
Drugs (Possession)					
Gambling					
Family Offenses					
DUI					
Liquor Laws					
Drunkenness					
Disorderly Conduct					
Vagrancy					
All Other Offenses					
Suspicion					

TOTAL:

CAMPUS POPULATION STATISTICS
(1989 Fall Term Campus Population)

FTE Undergraduate Students (Resident)	:
FTE Undergraduate Students (Commuting)	:
FTE Graduate Students (Resident)	:
FTE Graduate Students (Commuting)	:
Staff Personnel	:
Faculty Personnel	:
Security Personnel (Non-commissioned)	:
Security Personnel (Commissioned)	:

TOTAL :

Motlow State Community College

Tullahoma

Offense Category	Offenses Reported	Rate Per 1,000	Offenses Cleared	% Cleared	Clearances Involving Persons Under 18 Years
Homicide	0	0.0	0	0.0	0
Manslaughter	0	0.0	0	0.0	0
Rape	0	0.0	0	0.0	0
Robbery	0	0.0	0	0.0	0
Assault	0	0.0	0	0.0	0
Burglary	0	0.0	0	0.0	0
Larceny	0	0.0	0	0.0	0
Vehicle Theft	0	0.0	0	0.0	0
Arson	0	0.0	0	0.0	0
Forgery	0	0.0	0	0.0	0
Fraud	0	0.0	0	0.0	0
Embezzlement	0	0.0	0	0.0	0
Stolen Property	0	0.0	0	0.0	0
Vandalism	1	0.6	0	0.0	0
Weapons	0	0.0	0	0.0	0
Prostitution	0	0.0	0	0.0	0
Sex Offenses	0	0.0	0	0.0	0
Drugs (Sale/Manuf)	0	0.0	0	0.0	0
Drugs (Possession)	0	0.0	0	0.0	0
Gambling	0	0.0	0	0.0	0
Family Offenses	0	0.0	0	0.0	0
DUI	0	0.0	0	0.0	0
Liquor Laws	0	0.0	0	0.0	0
Drunkenness	0	0.0	0	0.0	0
Disorderly Conduct	0	0.0	0	0.0	0
Vagrancy	0	0.0	0	0.0	0
All Other Offenses	0	0.0	0	0.0	0
Suspicion	0	0.0	0	0.0	0
TOTAL:	1	0.6	0	0.0	0

CAMPUS POPULATION STATISTICS
(1989 Fall Term Campus Population)

FTE Undergraduate Students (Resident)	:	
FTE Undergraduate Students (Commuting)	:	1,574
FTE Graduate Students (Resident)	:	0
FTE Graduate Students (Commuting)	:	0
Staff Personnel	:	111
Faculty Personnel	:	54
Security Personnel (Non-commissioned)	:	0
Security Personnel (Commissioned)	:	0
TOTAL :		1,739

Nashville State Technical Institute

Nashville

Offense Category	Offenses Reported	Rate Per 1,000	Offenses Cleared	% Cleared	Clearances Involving Persons Under 18 Years
Homicide	0	0.0	0	0.0	0
Manslaughter	0	0.0	0	0.0	0
Rape	0	0.0	0	0.0	0
Robbery	0	0.0	0	0.0	0
Assault	1	0.4	0	0.0	0
Burglary	0	0.0	0	0.0	0
Larceny	9	3.4	0	0.0	0
Vehicle Theft	0	0.0	0	0.0	0
Arson	0	0.0	0	0.0	0
Forgery	0	0.0	0	0.0	0
Fraud	0	0.0	0	0.0	0
Embezzlement	0	0.0	0	0.0	0
Stolen Property	0	0.0	0	0.0	0
Vandalism	2	0.8	0	0.0	0
Weapons	0	0.0	0	0.0	0
Prostitution	0	0.0	0	0.0	0
Sex Offenses	0	0.0	0	0.0	0
Drugs (Sale/Manuf)	0	0.0	0	0.0	0
Drugs (Possession)	0	0.0	0	0.0	0
Gambling	0	0.0	0	0.0	0
Family Offenses	0	0.0	0	0.0	0
DUI	0	0.0	0	0.0	0
Liquor Laws	0	0.0	0	0.0	0
Drunkenness	0	0.0	0	0.0	0
Disorderly Conduct	0	0.0	0	0.0	0
Vagrancy	0	0.0	0	0.0	0
All Other Offenses	1	0.4	0	0.0	0
Suspicion	0	0.0	0	0.0	0
TOTAL:	13	5.0	0	0.0	0

CAMPUS POPULATION STATISTICS
(1989 Fall Term Campus Population)

FTE Undergraduate Students (Resident)	:	0
FTE Undergraduate Students (Commuting)	:	2,279
FTE Graduate Students (Resident)	:	0
FTE Graduate Students (Commuting)	:	0
Staff Personnel	:	209
Faculty Personnel	:	125
Security Personnel (Non-commissioned)	:	9
Security Personnel (Commissioned)	:	0
TOTAL :		2,622

Pellissippi State Community College

Knoxville

Offense Category	Offenses Reported	Rate Per 1,000	Offenses Cleared	% Cleared	Clearances Involving Persons Under 18 Years
Homicide	0	0.0	0	0.0	0
Manslaughter	0	0.0	0	0.0	0
Rape	0	0.0	0	0.0	0
Robbery	0	0.0	0	0.0	0
Assault	1	0.3	1	100.0	1
Burglary	1	0.3	0	0.0	0
Larceny	7	1.9	0	0.0	0
Vehicle Theft	0	0.0	0	0.0	0
Arson	0	0.0	0	0.0	0
Forgery	0	0.0	0	0.0	0
Fraud	0	0.0	0	0.0	0
Embezzlement	0	0.0	0	0.0	0
Stolen Property	0	0.0	0	0.0	0
Vandalism	0	0.0	0	0.0	0
Weapons	0	0.0	0	0.0	0
Prostitution	0	0.0	0	0.0	0
Sex Offenses	0	0.0	0	0.0	0
Drugs (Sale/Manuf)	0	0.0	0	0.0	0
Drugs (Possession)	0	0.0	0	0.0	0
Gambling	0	0.0	0	0.0	0
Family Offenses	0	0.0	0	0.0	0
DUI	0	0.0	0	0.0	0
Liquor Laws	0	0.0	0	0.0	0
Drunkenness	0	0.0	0	0.0	0
Disorderly Conduct	0	0.0	0	0.0	0
Vagrancy	0	0.0	0	0.0	0
All Other Offenses	0	0.0	0	0.0	0
Suspicion	0	0.0	0	0.0	0
TOTAL:	9	2.5	1	11.1	1

CAMPUS POPULATION STATISTICS
(1989 Fall Term Campus Population)

FTE Undergraduate Students (Resident)	:	0
FTE Undergraduate Students (Commuting)	:	3,145
FTE Graduate Students (Resident)	:	0
FTE Graduate Students (Commuting)	:	0
Staff Personnel	:	165
Faculty Personnel	:	300
Security Personnel (Non-commissioned)	:	8
Security Personnel (Commissioned)	:	1
TOTAL :		3,619

Rhodes College

Memphis

Offense Category	Offenses Reported	Rate Per 1,000	Offenses Cleared	% Cleared	Clearances Involving Persons Under 18 Years
Homicide	0	0.0	0	0.0	0
Manslaughter	0	0.0	0	0.0	0
Rape	0	0.0	0	0.0	0
Robbery	1	0.6	0	0.0	0
Assault	0	0.0	0	0.0	0
Burglary	2	1.2	0	0.0	0
Larceny	15	8.8	0	0.0	0
Vehicle Theft	3	1.8	0	0.0	0
Arson	0	0.0	0	0.0	0
Forgery	0	0.0	0	0.0	0
Fraud	0	0.0	0	0.0	0
Embezzlement	0	0.0	0	0.0	0
Stolen Property	0	0.0	0	0.0	0
Vandalism	4	2.4	1	25.0	0
Weapons	0	0.0	0	0.0	0
Prostitution	0	0.0	0	0.0	0
Sex Offenses	0	0.0	0	0.0	0
Drugs (Sale/Manuf)	0	0.0	0	0.0	0
Drugs (Possession)	0	0.0	0	0.0	0
Gambling	0	0.0	0	0.0	0
Family Offenses	0	0.0	0	0.0	0
DUI	0	0.0	0	0.0	0
Liquor Laws	0	0.0	0	0.0	0
Drunkenness	3	1.8	3	100.0	3
Disorderly Conduct	5	2.9	4	80.0	4
Vagrancy	0	0.0	0	0.0	0
All Other Offenses	4	2.4	1	25.0	1
Suspicion	0	0.0	0	0.0	0
TOTAL:	37	21.8	9	24.3	8

CAMPUS POPULATION STATISTICS
(1989 Fall Term Campus Population)

FTE Undergraduate Students (Resident)	:	1,107
FTE Undergraduate Students (Commuting)	:	242
FTE Graduate Students (Resident)	:	0
FTE Graduate Students (Commuting)	:	0
Staff Personnel	:	205
Faculty Personnel	:	133
Security Personnel (Non-commissioned)	:	13
Security Personnel (Commissioned)	:	0
TOTAL :		1,700

Roane State Community College

Harriman

Offense Category	Offenses Reported	Rate Per 1,000	Offenses Cleared	% Cleared	Clearances Involving Persons Under 18 Years
Homicide	0	0.0	0	0.0	0
Manslaughter	0	0.0	0	0.0	0
Rape	0	0.0	0	0.0	0
Robbery	0	0.0	0	0.0	0
Assault	2	0.6	0	0.0	0
Burglary	0	0.0	0	0.0	0
Larceny	7	2.0	0	0.0	0
Vehicle Theft	0	0.0	0	0.0	0
Arson	0	0.0	0	0.0	0
Forgery	0	0.0	0	0.0	0
Fraud	0	0.0	0	0.0	0
Embezzlement	0	0.0	0	0.0	0
Stolen Property	0	0.0	0	0.0	0
Vandalism	2	0.6	0	0.0	0
Weapons	0	0.0	0	0.0	0
Prostitution	0	0.0	0	0.0	0
Sex Offenses	0	0.0	0	0.0	0
Drugs (Sale/Manuf)	0	0.0	0	0.0	0
Drugs (Possession)	0	0.0	0	0.0	0
Gambling	0	0.0	0	0.0	0
Family Offenses	0	0.0	0	0.0	0
DUI	0	0.0	0	0.0	0
Liquor Laws	0	0.0	0	0.0	0
Drunkenness	0	0.0	0	0.0	0
Disorderly Conduct	0	0.0	0	0.0	0
Vagrancy	0	0.0	0	0.0	0
All Other Offenses	0	0.0	0	0.0	0
Suspicion	0	0.0	0	0.0	0
TOTAL:	11	3.1	0	0.0	0

CAMPUS POPULATION STATISTICS
(1989 Fall Term Campus Population)

FTE Undergraduate Students (Resident)	:	0
FTE Undergraduate Students (Commuting)	:	3,047
FTE Graduate Students (Resident)	:	0
FTE Graduate Students (Commuting)	:	0
Staff Personnel	:	205
Faculty Personnel	:	268
Security Personnel (Non-commissioned)	:	4
Security Personnel (Commissioned)	:	0
TOTAL	:	3,524

Shelby State Community College

Memphis

Offense Category	Offenses Reported	Rate Per 1,000	Offenses Cleared	% Cleared	Clearances Involving Persons Under 18 Years
Homicide	0	0.0	0	0.0	0
Manslaughter	0	0.0	0	0.0	0
Rape	0	0.0	0	0.0	0
Robbery	1	0.2	1	100.0	1
Assault	8	1.6	6	75.0	6
Burglary	12	2.4	9	75.0	8
Larceny	8	1.6	5	62.5	4
Vehicle Theft	2	0.4	2	100.0	2
Arson	0	0.0	0	0.0	0
Forgery	0	0.0	0	0.0	0
Fraud	0	0.0	0	0.0	0
Embezzlement	0	0.0	0	0.0	0
Stolen Property	0	0.0	0	0.0	0
Vandalism	4	0.8	2	50.0	2
Weapons	0	0.0	0	0.0	0
Prostitution	0	0.0	0	0.0	0
Sex Offenses	1	0.2	1	100.0	1
Drugs (Sale/Manuf)	0	0.0	0	0.0	0
Drugs (Possession)	0	0.0	0	0.0	0
Gambling	0	0.0	0	0.0	0
Family Offenses	1	0.2	1	100.0	1
DUI	0	0.0	0	0.0	0
Liquor Laws	0	0.0	0	0.0	0
Drunkenness	0	0.0	0	0.0	0
Disorderly Conduct	2	0.4	2	100.0	2
Vagrancy	1	0.2	1	100.0	0
All Other Offenses	0	0.0	0	0.0	0
Suspicion	0	0.0	0	0.0	0
TOTAL:	40	8.0	30	75.0	27

CAMPUS POPULATION STATISTICS
(1989 Fall Term Campus Population)

FTE Undergraduate Students (Resident)	0
FTE Undergraduate Students (Commuting)	4,516
FTE Graduate Students (Resident)	0
FTE Graduate Student (Commuting)	0
Staff Personnel	207
Faculty Personnel	256
Security Personnel (Non-commissioned)	2
Security Personnel (Commissioned)	11
TOTAL :	4,992

Southern College of Optometry

Memphis

Offense Category	Offenses Reported	Rate Per 1,000	Offenses Cleared	% Cleared	Clearances Involving Persons Under 18 Years
Homicide	0	0.0	0	0.0	0
Manslaughter	0	0.0	0	0.0	0
Rape	0	0.0	0	0.0	0
Robbery	0	0.0	0	0.0	0
Assault	0	0.0	0	0.0	0
Burglary	0	0.0	0	0.0	0
Larceny	1	2.0	0	0.0	0
Vehicle Theft	2	4.0	0	0.0	0
Arson	0	0.0	0	0.0	0
Forgery	0	0.0	0	0.0	0
Fraud	0	0.0	0	0.0	0
Embezzlement	0	0.0	0	0.0	0
Stolen Property	0	0.0	0	0.0	0
Vandalism	0	0.0	0	0.0	0
Weapons	0	0.0	0	0.0	0
Prostitution	0	0.0	0	0.0	0
Sex Offenses	0	0.0	0	0.0	0
Drugs (Sale/Manuf)	0	0.0	0	0.0	0
Drugs (Possession)	0	0.0	0	0.0	0
Gambling	0	0.0	0	0.0	0
Family Offenses	0	0.0	0	0.0	0
DUI	0	0.0	0	0.0	0
Liquor Laws	0	0.0	0	0.0	0
Drunkenness	0	0.0	0	0.0	0
Disorderly Conduct	0	0.0	0	0.0	0
Vagrancy	0	0.0	0	0.0	0
All Other Offenses	0	0.0	0	0.0	0
Suspicion	0	0.0	0	0.0	0
TOTAL:	3	6.0	0	0.0	0

**CAMPUS POPULATION STATISTICS
(1989 Fall Term Campus Population)**

FTE Undergraduate Students (Resident)	0
FTE Undergraduate Students (Commuting)	0
FTE Graduate Students (Resident)	0
FTE Graduate Students (Commuting)	384
Staff Personnel	66
Faculty Personnel	44
Security Personnel (Non-commissioned)	5
Security Personnel (Commissioned)	0
TOTAL :	499

Southern College of Seventh Day Adventist

Collegedale

Offense Category =====	Offenses Reported =====	Rate Per 1,000 =====	Offenses Cleared =====	% Cleared =====	Clearances Involving Persons Under 18 Years =====
Homicide	0	0.0	0	0.0	0
Manslaughter	0	0.0	0	0.0	0
Rape	2	1.1	0	0.0	0
Robbery	0	0.0	0	0.0	0
Assault	0	0.0	0	0.0	0
Burglary	1	0.5	0	0.0	0
Larceny	5	2.6	0	0.0	0
Vehicle Theft	1	0.5	0	0.0	0
Arson	0	0.0	0	0.0	0
Forgery	0	0.0	0	0.0	0
Fraud	0	0.0	0	0.0	0
Embezzlement	0	0.0	0	0.0	0
Stolen Property	0	0.0	0	0.0	0
Vandalism	0	0.0	0	0.0	0
Weapons	0	0.0	0	0.0	0
Prostitution	0	0.0	0	0.0	0
Sex Offenses	0	0.0	0	0.0	0
Drugs (Sale/Manuf)	0	0.0	0	0.0	0
Drugs (Possession)	0	0.0	0	0.0	0
Gambling	0	0.0	0	0.0	0
Family Offenses	0	0.0	0	0.0	0
DUI	1	0.5	1	100.0	0
Liquor Laws	0	0.0	0	0.0	0
Drunkenness	0	0.0	0	0.0	0
Disorderly Conduct	2	1.1	0	0.0	0
Vagrancy	0	0.0	0	0.0	0
All Other Offenses	65	34.4	2	3.1	0
Suspicion	21	11.1	0	0.0	0
TOTAL:	98	51.9	3	3.1	0

**CAMPUS POPULATION STATISTICS
(1989 Fall Term Campus Population)**

FTE Undergraduate Students (Resident)	996
FTE Undergraduate Students (Commuting)	530
FTE Graduate Students (Resident)	0
FTE Graduate Students (Commuting)	0
Staff Personnel	171
Faculty Personnel	180
Security Personnel (Non-commissioned)	0
Security Personnel (Commissioned)	10
TOTAL :	1,887

State Technical Institute at Memphis

Memphis

Offense Category	Offenses Reported	Rate Per 1,000	Offenses Cleared	% Cleared	Clearances Involving Persons Under 18 Years
Homicide	0	0.0	0	0.0	0
Manslaughter	0	0.0	0	0.0	0
Rape	0	0.0	0	0.0	0
Robbery	0	0.0	0	0.0	0
Assault	0	0.0	0	0.0	0
Burglary	0	0.0	0	0.0	0
Larceny	8	1.6	0	0.0	0
Vehicle Theft	0	0.0	0	0.0	0
Arson	0	0.0	0	0.0	0
Forgery	0	0.0	0	0.0	0
Fraud	0	0.0	0	0.0	0
Embezzlement	0	0.0	0	0.0	0
Stolen Property	0	0.0	0	0.0	0
Vandalism	1	0.2	0	0.0	0
Weapons	0	0.0	0	0.0	0
Prostitution	0	0.0	0	0.0	0
Sex Offenses	0	0.0	0	0.0	0
Drugs (Sale/Manuf)	0	0.0	0	0.0	0
Drugs (Possession)	0	0.0	0	0.0	0
Gambling	0	0.0	0	0.0	0
Family Offenses	0	0.0	0	0.0	0
DUI	0	0.0	0	0.0	0
Liquor Laws	0	0.0	0	0.0	0
Drunkenness	0	0.0	0	0.0	0
Disorderly Conduct	0	0.0	0	0.0	0
Vagrancy	0	0.0	0	0.0	0
All Other Offenses	0	0.0	0	0.0	0
Suspicion	0	0.0	0	0.0	0
TOTAL:	9	1.8	0	0.0	0

CAMPUS POPULATION STATISTICS
(1989 Fall Term Campus Population)

FTE Undergraduate Students (Resident)	:	0
FTE Undergraduate Students (Commuting)	:	4,353
FTE Graduate Students (Resident)	:	0
FTE Graduate Students (Commuting)	:	0
Staff Personnel	:	219
Faculty Personnel	:	502
Security Personnel (Non-commissioned)	:	2
Security Personnel (Commissioned)	:	7
TOTAL :		5,083

Tennessee State University

Nashville

Offense Category =====	Offenses Reported =====	Rate Per 1,000 =====	Offenses Cleared =====	% Cleared =====	Clearances Involving Persons Under 18 Years =====
Homicide	0	0.0	0	0.0	0
Manslaughter	0	0.0	0	0.0	0
Rape	0	0.0	0	0.0	0
Robbery	2	0.3	1	50.0	0
Assault	11	1.6	0	0.0	0
Burglary	37	5.4	1	2.7	0
Larceny	14	2.1	2	14.3	1
Vehicle Theft	0	0.0	0	0.0	0
Arson	0	0.0	0	0.0	0
Forgery	1	0.1	0	0.0	0
Fraud	1	0.1	0	0.0	0
Embezzlement	0	0.0	0	0.0	0
Stolen Property	3	0.4	1	33.3	1
Vandalism	15	2.2	2	13.2	0
Weapons	0	0.0	0	0.0	0
Prostitution	0	0.0	0	0.0	0
Sex Offenses	0	0.0	0	0.0	0
Drugs (Sale/Manuf)	1	0.1	1	100.0	0
Drugs (Possession)	0	0.0	0	0.0	0
Gambling	0	0.0	0	0.0	0
Family Offenses	0	0.0	0	0.0	0
DUI	0	0.0	0	0.0	0
Liquor Laws	6	0.9	1	16.7	1
Drunkenness	2	0.3	1	50.0	0
Disorderly Conduct	19	2.8	2	10.5	0
Vagrancy	1	0.1	1	100.0	0
All Other Offenses	10	1.5	2	20.0	0
Suspicion	3	0.4	1	33.3	0
TOTAL:	126	18.5	16	12.7	3

CAMPUS POPULATION STATISTICS
(1989 Fall Term Campus Population)

FTE Undergraduate Students (Resident)	:	2,122
FTE Undergraduate Students (Commuting)	:	3,254
FTE Graduate Students (Resident)	:	12
FTE Graduate Students (Commuting)	:	417
Staff Personnel	:	632
Faculty Personnel	:	350
Security Personnel (Non-commissioned)	:	17
Security Personnel (Commissioned)	:	22
TOTAL :		6,826

Tennessee Technological University

Cookeville

Offense Category	Offenses Reported	Rate Per 1,000	Offenses Cleared	% Cleared	Clearances Involving Persons Under 18 Years
Homicide	0	0.0	0	0.0	0
Manslaughter	0	0.0	0	0.0	0
Rape	0	0.0	0	0.0	0
Robbery	0	0.0	0	0.0	0
Assault	1	0.1	1	100.0	0
Burglary	12	1.4	1	8.3	0
Larceny	56	6.4	5	8.9	0
Vehicle Theft	1	0.1	1	100.0	1
Arson	2	0.2	0	0.0	0
Forgery	0	0.0	0	0.0	0
Fraud	0	0.0	0	0.0	0
Embezzlement	1	0.1	0	0.0	0
Stolen Property	0	0.0	0	0.0	0
Vandalism	18	2.1	2	11.1	0
Weapons	2	0.2	2	100.0	0
Prostitution	0	0.0	0	0.0	0
Sex Offenses	3	0.3	0	0.0	0
Drugs (Sale/Manuf)	0	0.0	0	0.0	0
Drugs (Possession)	0	0.0	0	0.0	0
Gambling	0	0.0	0	0.0	0
Family Offenses	2	0.2	2	100.0	0
DUI	1	0.1	1	100.0	0
Liquor Laws	1	0.1	1	100.0	0
Drunkenness	4	0.5	4	100.0	0
Disorderly Conduct	6	0.7	4	66.7	0
Vagrancy	0	0.0	0	0.0	0
All Other Offenses	44	5.0	16	36.4	0
Suspicion	3	0.3	1	33.3	0
TOTAL:	157	18.0	41	26.1	1

CAMPUS POPULATION STATISTICS
(1989 Fall Term Campus Population)

FTE Undergraduate Students (Resident)	:	2,800
FTE Undergraduate Students (Commuting)	:	4,016
FTE Graduate Students (Resident)	:	107
FTE Graduate Students (Commuting)	:	723
Staff Personnel	:	493
Faculty Personnel	:	563
Security Personnel (Non-commissioned)	:	3
Security Personnel (Commissioned)	:	16
TOTAL :		8,721

Tennessee Temple University

Chattanooga

Offense Category	Offenses Reported	Rate Per 1,000	Offenses Cleared	% Cleared	Clearances Involving Persons Under 18 Years
Homicide	0	0.0	0	0.0	0
Manslaughter	0	0.0	0	0.0	0
Rape	1	0.7	0	0.0	0
Robbery	1	0.7	0	0.0	0
Assault	2	1.3	0	0.0	0
Burglary	1	0.7	0	0.0	0
Larceny	22	14.7	0	0.0	0
Vehicle Theft	3	2.0	0	0.0	0
Arson	0	0.0	0	0.0	0
Forgery	0	0.0	0	0.0	0
Fraud	0	0.0	0	0.0	0
Embezzlement	0	0.0	0	0.0	0
Stolen Property	0	0.0	0	0.0	0
Vandalism	2	1.3	0	0.0	0
Weapons	0	0.0	0	0.0	0
Prostitution	0	0.0	0	0.0	0
Sex Offenses	0	0.0	0	0.0	0
Drugs (Sale/Manuf)	0	0.0	0	0.0	0
Drugs (Possession)	0	0.0	0	0.0	0
Gambling	0	0.0	0	0.0	0
Family Offenses	0	0.0	0	0.0	0
DUI	0	0.0	0	0.0	0
Liquor Laws	0	0.0	0	0.0	0
Drunkenness	3	2.0	0	0.0	0
Disorderly Conduct	9	6.0	0	0.0	0
Vagrancy	0	0.0	0	0.0	0
All Other Offenses	8	5.3	0	0.0	0
Suspicion	57	38.1	0	0.0	0
TOTAL:	109	72.8	0	0.0	0

**CAMPUS POPULATION STATISTICS
(1989 Fall Term Campus Population)**

FTE Undergraduate Students (Resident)	730
FTE Undergraduate Students (Commuting)	400
FTE Graduate Students (Resident)	3
FTE Graduate Students (Commuting)	80
Staff Personnel	174
Faculty Personnel	101
Security Personnel (Non-commissioned)	0
Security Personnel (Commissioned)	9
TOTAL :	1,497

Tennessee Wesleyan College

Athens

Offense Category	Offenses Reported	Rate Per 1,000	Offenses Cleared	% Cleared	Clearances Involving Persons Under 18 Years
Homicide	0	0.0	0	0.0	0
Manslaughter	0	0.0	0	0.0	0
Rape	0	0.0	0	0.0	0
Robbery	0	0.0	0	0.0	0
Assault	0	0.0	0	0.0	0
Burglary	2	3.4	0	0.0	0
Larceny	2	3.4	0	0.0	0
Vehicle Theft	0	0.0	0	0.0	0
Arson	0	0.0	0	0.0	0
Forgery	0	0.0	0	0.0	0
Fraud	0	0.0	0	0.0	0
Embezzlement	0	0.0	0	0.0	0
Stolen Property	0	0.0	0	0.0	0
Vandalism	2	3.4	0	0.0	0
Weapons	0	0.0	0	0.0	0
Prostitution	0	0.0	0	0.0	0
Sex Offenses	0	0.0	0	0.0	0
Drugs (Sale/Manuf)	2	3.4	0	0.0	0
Drugs (Possession)	0	0.0	0	0.0	0
Gambling	0	0.0	0	0.0	0
Family Offenses	0	0.0	0	0.0	0
DUI	0	0.0	0	0.0	0
Liquor Laws	0	0.0	0	0.0	0
Drunkenness	0	0.0	0	0.0	0
Disorderly Conduct	0	0.0	0	0.0	0
Vagrancy	0	0.0	0	0.0	0
All Other Offenses	0	0.0	0	0.0	0
Suspicion	0	0.0	0	0.0	0
TOTAL:	8	13.5	0	0.0	0

CAMPUS POPULATION STATISTICS
(1989 Fall Term Campus Population)

FTE Undergraduate Students (Resident)	250
FTE Undergraduate Students (Commuting)	267
FTE Graduate Students (Resident)	0
FTE Graduate Students (Commuting)	0
Staff Personnel	40
Faculty Personnel	35
Security Personnel (Non-commissioned)	0
Security Personnel (Commissioned)	2
TOTAL :	594

Tomlinson College

Cleveland

Offense Category	Offenses Reported	Rate Per 1,000	Offenses Cleared	% Cleared	Clearances Involving Persons Under 18 Years
Homicide	0	0.0	0	0.0	0
Manslaughter	0	0.0	0	0.0	0
Rape	0	0.0	0	0.0	0
Robbery	0	0.0	0	0.0	0
Assault	0	0.0	0	0.0	0
Burglary	0	0.0	0	0.0	0
Larceny	0	0.0	0	0.0	0
Vehicle Theft	0	0.0	0	0.0	0
Arson	0	0.0	0	0.0	0
Forgery	0	0.0	0	0.0	0
Fraud	0	0.0	0	0.0	0
Embezzlement	0	0.0	0	0.0	0
Stolen Property	0	0.0	0	0.0	0
Vandalism	0	0.0	0	0.0	0
Weapons	0	0.0	0	0.0	0
Prostitution	0	0.0	0	0.0	0
Sex Offenses	0	0.0	0	0.0	0
Drugs (Sale/Manuf)	0	0.0	0	0.0	0
Drugs (Possession)	0	0.0	0	0.0	0
Gambling	0	0.0	0	0.0	0
Family Offenses	0	0.0	0	0.0	0
DUI	0	0.0	0	0.0	0
Liquor Laws	0	0.0	0	0.0	0
Drunkenness	0	0.0	0	0.0	0
Disorderly Conduct	0	0.0	0	0.0	0
Vagrancy	0	0.0	0	0.0	0
All Other Offenses	0	0.0	0	0.0	0
Suspicion	0	0.0	0	0.0	0
TOTAL:	0	0.0	0	0.0	0

CAMPUS POPULATION STATISTICS
(1989 Fall Term Campus Population)

FTE Undergraduate Students (Resident)	:	157
FTE Undergraduate Students (Commuting)	:	63
FTE Graduate Students (Resident)	:	0
FTE Graduate Students (Commuting)	:	0
Staff Personnel	:	22
Faculty Personnel	:	27
Security Personnel (Non-commissioned)	:	7
Security Personnel (Commissioned)	:	0
TOTAL	:	276

Trevecca Nazarene College

Nashville

Offense Category	Offenses Reported	Rate Per 1,000	Offenses Cleared	% Cleared	Clearances Involving Persons Under 18 Years
Homicide	0	0.0	0	0.0	0
Manslaughter	0	0.0	0	0.0	0
Rape	0	0.0	0	0.0	0
Robbery	0	0.0	0	0.0	0
Assault	0	0.0	0	0.0	0
Burglary	3	1.5	0	0.0	0
Larceny	7	3.5	2	28.6	0
Vehicle Theft	0	0.0	0	0.0	0
Arson	0	0.0	0	0.0	0
Forgery	0	0.0	0	0.0	0
Fraud	0	0.0	0	0.0	0
Embezzlement	0	0.0	0	0.0	0
Stolen Property	0	0.0	0	0.0	0
Vandalism	3	1.5	0	0.0	0
Weapons	0	0.0	0	0.0	0
Prostitution	0	0.0	0	0.0	0
Sex Offenses	0	0.0	0	0.0	0
Drugs (Sale/Manuf)	0	0.0	0	0.0	0
Drugs (Possession)	0	0.0	0	0.0	0
Gambling	0	0.0	0	0.0	0
Family Offenses	0	0.0	0	0.0	0
DUI	0	0.0	0	0.0	0
Liquor Laws	0	0.0	0	0.0	0
Drunkenness	0	0.0	0	0.0	0
Disorderly Conduct	2	1.0	2	100.0	0
Vagrancy	0	0.0	0	0.0	0
All Other Offenses	0	0.0	0	0.0	0
Suspicion	1	0.5	0	0.0	0
TOTAL:	16	8.1	4	25.0	0

CAMPUS POPULATION STATISTICS
(1989 Fall Term Campus Population)

FTE Undergraduate Students (Resident)	:	645
FTE Undergraduate Students (Commuting)	:	167
FTE Graduate Students (Resident)	:	600
FTE Graduate Students (Commuting)	:	352
Staff Personnel	:	99
Faculty Personnel	:	111
Security Personnel (Non-commissioned)	:	4
Security Personnel (Commissioned)	:	5
TOTAL :		1,983

Tri-Cities State Technical Institute

Blountville

Offense Category	Offenses Reported	Rate Per 1,000	Offenses Cleared	% Cleared	Clearances Involving Persons Under 18 Years
Homicide	0	0.0	0	0.0	0
Manslaughter	0	0.0	0	0.0	0
Rape	0	0.0	0	0.0	0
Robbery	0	0.0	0	0.0	0
Assault	0	0.0	0	0.0	0
Burglary	0	0.0	0	0.0	0
Larceny	1	0.5	0	0.0	0
Vehicle Theft	0	0.0	0	0.0	0
Arson	0	0.0	0	0.0	0
Forgery	0	0.0	0	0.0	0
Fraud	0	0.0	0	0.0	0
Embezzlement	0	0.0	0	0.0	0
Stolen Property	0	0.0	0	0.0	0
Vandalism	1	0.5	0	0.0	0
Weapons	0	0.0	0	0.0	0
Prostitution	0	0.0	0	0.0	0
Sex Offenses	1	0.5	0	0.0	0
Drugs (Sale/Manuf)	0	0.0	0	0.0	0
Drugs (Possession)	0	0.0	0	0.0	0
Gambling	0	0.0	0	0.0	0
Family Offenses	0	0.0	0	0.0	0
DUI	0	0.0	0	0.0	0
Liquor Laws	0	0.0	0	0.0	0
Drunkenness	0	0.0	0	0.0	0
Disorderly Conduct	0	0.0	0	0.0	0
Vagrancy	0	0.0	0	0.0	0
All Other Offenses	0	0.0	0	0.0	0
Suspicion	0	0.0	0	0.0	0
TOTAL:	3	1.5	0	0.0	0

CAMPUS POPULATION STATISTICS
(1989 Fall Term Campus Population)

FTE Undergraduate Students (Resident)	:	0
FTE Undergraduate Students (Commuting)	:	1,800
FTE Graduate Students (Resident)	:	0
FTE Graduate Students (Commuting)	:	0
Staff Personnel	:	75
Faculty Personnel	:	57
Security Personnel (Non-commissioned)	:	5
Security Personnel (Commissioned)	:	0
TOTAL :		1,937

Tusculum College

Greeneville

Offense Category	Offenses Reported	Rate Per 1,000	Offenses Cleared	% Cleared	Clearances Involving Persons Under 18 Years
Homicide	0	0.0	0	0.0	0
Manslaughter	0	0.0	0	0.0	0
Rape	0	0.0	0	0.0	0
Robbery	0	0.0	0	0.0	0
Assault	0	0.0	0	0.0	0
Burglary	1	2.8	0	0.0	0
Larceny	8	22.8	0	0.0	0
Vehicle Theft	0	0.0	0	0.0	0
Arson	0	0.0	0	0.0	0
Forgery	0	0.0	0	0.0	0
Fraud	0	0.0	0	0.0	0
Embezzlement	0	0.0	0	0.0	0
Stolen Property	0	0.0	0	0.0	0
Vandalism	0	0.0	0	0.0	0
Weapons	0	0.0	0	0.0	0
Prostitution	0	0.0	0	0.0	0
Sex Offenses	0	0.0	0	0.0	0
Drugs (Sale/Manuf)	0	0.0	0	0.0	0
Drugs (Possession)	0	0.0	0	0.0	0
Gambling	0	0.0	0	0.0	0
Family Offenses	0	0.0	0	0.0	0
DUI	0	0.0	0	0.0	0
Liquor Laws	0	0.0	0	0.0	0
Drunkenness	1	2.8	1	100.0	0
Disorderly Conduct	0	0.0	0	0.0	0
Vagrancy	0	0.0	0	0.0	0
All Other Offenses	0	0.0	0	0.0	0
Suspicion	0	0.0	0	0.0	0
TOTAL:	10	27.8	1	10.0	0

CAMPUS POPULATION STATISTICS
(1989 Fall Term Campus Population)

FTE Undergraduate Students (Resident)	: 136
FTE Undergraduate Students (Commuting)	: 97
FTE Graduate Students (Resident)	: 0
FTE Graduate Students (Commuting)	: 6
Staff Personnel	: 87
Faculty Personnel	: 30
Security Personnel (Non-commissioned)	: 3
Security Personnel (Commissioned)	: 1
TOTAL :	360

Union University

Jackson

Offense Category	Offenses Reported	Rate Per 1,000	Offenses Cleared	% Cleared	Clearances Involving Persons Under 18 Years
Homicide	0	0.0	0	0.0	0
Manslaughter	0	0.0	0	0.0	0
Rape	0	0.0	0	0.0	0
Robbery	0	0.0	0	0.0	0
Assault	0	0.0	0	0.0	0
Burglary	0	0.0	0	0.0	0
Larceny	0	0.0	0	0.0	0
Vehicle Theft	0	0.0	0	0.0	0
Arson	0	0.0	0	0.0	0
Forgery	0	0.0	0	0.0	0
Fraud	0	0.0	0	0.0	0
Embezzlement	0	0.0	0	0.0	0
Stolen Property	0	0.0	0	0.0	0
Vandalism	1	0.6	0	0.0	0
Weapons	0	0.0	0	0.0	0
Prostitution	0	0.0	0	0.0	0
Sex Offenses	0	0.0	0	0.0	0
Drugs (Sale/Manuf)	0	0.0	0	0.0	0
Drugs (Possession)	0	0.0	0	0.0	0
Gambling	0	0.0	0	0.0	0
Family Offenses	0	0.0	0	0.0	0
DUI	0	0.0	0	0.0	0
Liquor Laws	0	0.0	0	0.0	0
Drunkenness	0	0.0	0	0.0	0
Disorderly Conduct	0	0.0	0	0.0	0
Vagrancy	0	0.0	0	0.0	0
All Other Offenses	0	0.0	0	0.0	0
Suspicion	0	0.0	0	0.0	0
TOTAL:	1	0.6	0	0.0	0

**CAMPUS POPULATION STATISTICS
(1989 Fall Term Campus Population)**

FTE Undergraduate Students (Resident)	808
FTE Undergraduate Students (Commuting)	699
FTE Graduate Students (Resident)	0
FTE Graduate Students (Commuting)	0
Staff Personnel	110
Faculty Personnel	85
Security Personnel (Non-commissioned)	0
Security Personnel (Commissioned)	6
TOTAL :	1,708

University of Tennessee

Chattanooga

Offense Category	Offenses Reported	Rate Per 1,000	Offenses Cleared	% Cleared	Clearances Involving Persons Under 18 Years
Homicide	0	0.0	0	0.0	0
Manslaughter	0	0.0	0	0.0	0
Rape	0	0.0	0	0.0	0
Robbery	0	0.0	0	0.0	0
Assault	7	1.0	5	71.4	0
Burglary	18	2.7	2	11.1	0
Larceny	100	14.8	11	11.0	2
Vehicle Theft	0	0.0	0	0.0	0
Arson	0	0.0	0	0.0	0
Forgery	3	0.4	3	100.0	0
Fraud	2	0.3	1	50.0	0
Embezzlement	0	0.0	0	0.0	0
Stolen Property	0	0.0	0	0.0	0
Vandalism	9	1.3	0	0.0	0
Weapons	1	0.1	1	100.0	0
Prostitution	0	0.0	0	0.0	0
Sex Offenses	1	0.1	1	100.0	0
Drugs (Sale/Manuf)	0	0.0	0	0.0	0
Drugs (Possession)	4	0.6	4	100.0	1
Gambling	0	0.0	0	0.0	0
Family Offenses	0	0.0	0	0.0	0
DUI	3	0.4	3	100.0	0
Liquor Laws	3	0.4	2	66.7	0
Drunkenness	29	4.3	29	100.0	4
Disorderly Conduct	8	1.2	6	75.0	0
Vagrancy	0	0.0	0	0.0	0
All Other Offenses	128	19.0	8	6.3	0
Suspicion	1	0.1	0	0.0	0
TOTAL:	317	47.0	76	24.0	7

CAMPUS POPULATION STATISTICS
(1989 Fall Term Campus Population)

FTE Undergraduate Students (Resident)	:	1,050
FTE Undergraduate Students (Commuting)	:	4,365
FTE Graduate Students (Resident)	:	10
FTE Graduate Students (Commuting)	:	425
Staff Personnel	:	552
Faculty Personnel	:	303
Security Personnel (Non-commissioned)	:	17
Security Personnel (Commissioned)	:	26
TOTAL :		6,748

University of Tennessee

Knoxville

Offense Category	Offenses Reported	Rate Per 1,000	Offenses Cleared	% Cleared	Clearances Involving Persons Under 18 Years
Homicide	0	0.0	0	0.0	0
Manslaughter	0	0.0	0	0.0	0
Rape	0	0.0	0	0.0	0
Robbery	3	0.1	0	0.0	0
Assault	19	0.6	17	89.5	2
Burglary	20	0.6	7	35.0	0
Larceny	296	9.3	21	7.1	1
Vehicle Theft	16	0.5	16	100.0	0
Arson	1	0.0	0	0.0	0
Forgery	0	0.0	0	0.0	0
Fraud	0	0.0	0	0.0	0
Embezzlement	0	0.0	0	0.0	0
Stolen Property	2	0.1	2	100.0	0
Vandalism	92	2.9	3	3.3	0
Weapons	7	0.2	7	100.0	1
Prostitution	0	0.0	0	0.0	0
Sex Offenses	2	0.1	2	100.0	0
Drugs (Sale/Manuf)	0	0.0	0	0.0	0
Drugs (Possession)	26	0.8	26	100.0	0
Gambling	0	0.0	0	0.0	0
Family Offenses	3	0.1	3	100.0	0
DUI	56	1.8	56	100.0	1
Liquor Laws	70	2.2	70	100.0	0
Drunkenness	47	1.5	47	100.0	0
Disorderly Conduct	12	0.4	12	100.0	1
Vagrancy	0	0.0	0	0.0	0
All Other Offenses	14	0.4	14	100.0	0
Suspicion	3	0.1	3	100.0	0
TOTAL:	689	21.7	306	44.4	6

**CAMPUS POPULATION STATISTICS
(1989 Fall Term Campus Population)**

FTE Undergraduate Students (Resident)	8,571
FTE Undergraduate Students (Commuting)	10,909
FTE Graduate Students (Resident)	981
FTE Graduate Students (Commuting)	3,694
Staff Personnel	5,470
Faculty Personnel	2,030
Security Personnel (Non-commissioned)	30
Security Personnel (Commissioned)	48
TOTAL :	31,733

University of Tennessee

Martin

Offense Category	Offenses Reported	Rate Per 1,000	Offenses Cleared	% Cleared	Clearances Involving Persons Under 18 Years
Homicide	0	0.0	0	0.0	0
Manslaughter	0	0.0	0	0.0	0
Rape	1	0.2	1	100.0	0
Robbery	0	0.0	0	0.0	0
Assault	4	0.7	4	100.0	0
Burglary	10	1.8	3	30.0	0
Larceny	42	7.7	5	11.9	0
Vehicle Theft	1	0.2	1	100.0	0
Arson	0	0.0	0	0.0	0
Forgery	0	0.0	0	0.0	0
Fraud	0	0.0	0	0.0	0
Embezzlement	0	0.0	0	0.0	0
Stolen Property	0	0.0	0	0.0	0
Vandalism	32	5.9	1	3.1	0
Weapons	0	0.0	0	0.0	0
Prostitution	0	0.0	0	0.0	0
Sex Offenses	1	0.2	0	0.0	0
Drugs (Sale/Manuf)	0	0.0	0	0.0	0
Drugs (Possession)	1	0.2	1	100.0	0
Gambling	0	0.0	0	0.0	0
Family Offenses	0	0.0	0	0.0	0
DUI	0	0.0	0	0.0	0
Liquor Laws	7	1.3	7	100.0	0
Drunkenness	3	0.6	3	100.0	0
Disorderly Conduct	3	0.6	3	100.0	0
Vagrancy	0	0.0	0	0.0	0
All Other Offenses	6	1.1	5	83.3	0
Suspicion	0	0.0	0	0.0	0
TOTAL:	111	20.4	34	30.6	0

CAMPUS POPULATION STATISTICS
(1989 Fall Term Campus Population)

FTE Undergraduate Students (Resident)	:	2,168
FTE Undergraduate Students (Commuting)	:	2,406
FTE Graduate Students (Resident)	:	44
FTE Graduate Students (Commuting)	:	125
Staff Personnel	:	417
Faculty Personnel	:	229
Security Personnel (Non-commissioned)	:	28
Security Personnel (Commissioned)	:	13
TOTAL :		5,430

University of Tennessee

Memphis

Offense Category =====	Offenses Reported =====	Rate Per 1,000 =====	Offenses Cleared =====	% Cleared =====	Clearances Involving Persons Under 18 Years =====
Homicide	0	0.0	0	0.0	0
Manslaughter	0	0.0	0	0.0	0
Rape	0	0.0	0	0.0	0
Robbery	3	0.5	0	0.0	0
Assault	5	0.6	4	80.0	0
Burglary	7	1.1	0	0.0	0
Larceny	76	11.8	3	3.9	0
Vehicle Theft	6	0.9	0	0.0	0
Arson	0	0.0	0	0.0	0
Forgery	2	0.3	0	0.0	0
Fraud	1	0.2	0	0.0	0
Embezzlement	1	0.2	0	0.0	0
Stolen Property	0	0.0	0	0.0	0
Vandalism	9	1.4	0	0.0	0
Weapons	1	0.2	0	0.0	0
Prostitution	0	0.0	0	0.0	0
Sex Offenses	1	0.2	1	100.0	0
Drugs (Sale/Manuf)	0	0.0	0	0.0	0
Drugs (Possession)	0	0.0	0	0.0	0
Gambling	0	0.0	0	0.0	0
Family Offenses	0	0.0	0	0.0	0
DUI	0	0.0	0	0.0	0
Liquor Laws	0	0.0	0	0.0	0
Drunkenness	2	0.3	2	100.0	0
Disorderly Conduct	12	1.9	9	75.0	0
Vagrancy	4	0.6	4	100.0	0
All Other Offenses	4	0.6	3	75.0	0
Suspicion	6	0.9	5	83.3	0
TOTAL:	140	21.7	31	22.1	0

**CAMPUS POPULATION STATISTICS
(1989 Fall Term Campus Population)**

FTE Undergraduate Students (Resident) :	179
FTE Undergraduate Students (Commuting) :	1,594
FTE Graduate Students (Resident) :	159
FTE Graduate Students (Commuting) :	602
Staff Personnel :	3,122
Faculty Personnel :	753
Security Personnel (Non-commissioned) :	3
Security Personnel (Commissioned) :	37
TOTAL :	6,449

University of Tennessee Space Institute

Tullahoma

Offense Category =====	Offenses Reported =====	Rate Per 1,000 =====	Offenses Cleared =====	% Cleared =====	Clearances Involving Persons Under 18 Years =====
Homicide	0	0.0	0	0.0	0
Manslaughter	0	0.0	0	0.0	0
Rape	0	0.0	0	0.0	0
Robbery	0	0.0	0	0.0	0
Assault	0	0.0	0	0.0	0
Burglary	0	0.0	0	0.0	0
Larceny	0	0.0	0	0.0	0
Vehicle Theft	0	0.0	0	0.0	0
Arson	0	0.0	0	0.0	0
Forgery	0	0.0	0	0.0	0
Fraud	0	0.0	0	0.0	0
Embezzlement	0	0.0	0	0.0	0
Stolen Property	0	0.0	0	0.0	0
Vandalism	0	0.0	0	0.0	0
Weapons	0	0.0	0	0.0	0
Prostitution	0	0.0	0	0.0	0
Sex Offenses	0	0.0	0	0.0	0
Drugs (Sale/Manuf)	0	0.0	0	0.0	0
Drugs (Possession)	0	0.0	0	0.0	0
Gambling	0	0.0	0	0.0	0
Family Offenses	0	0.0	0	0.0	0
DUI	0	0.0	0	0.0	0
Liquor Laws	0	0.0	0	0.0	0
Drunkenness	0	0.0	0	0.0	0
Disorderly Conduct	0	0.0	0	0.0	0
Vagrancy	0	0.0	0	0.0	0
All Other Offenses	0	0.0	0	0.0	0
Suspicion	0	0.0	0	0.0	0
TOTAL:	0	0.0	0	0.0	0

**CAMPUS POPULATION STATISTICS
(1989 Fall Term Campus Population)**

FTE Undergraduate Students (Resident)	0
FTE Undergraduate Students (Commuting)	0
FTE Graduate Students (Resident)	30
FTE Graduate Students (Commuting)	50
Staff Personnel	218
Faculty Personnel	43
Security Personnel (Non-commissioned)	0
Security Personnel (Commissioned)	4
TOTAL :	345

University of the South

Sewanee

Offense Category =====	Offenses Reported =====	Rate Per 1,000 =====	Offenses Cleared =====	% Cleared =====	Clearances Involving Persons Under 18 Years =====
Homicide	0	0.0	0	0.0	0
Manslaughter	0	0.0	0	0.0	0
Rape	0	0.0	0	0.0	0
Robbery	0	0.0	0	0.0	0
Assault	0	0.0	0	0.0	0
Burglary	3	2.0	0	0.0	0
Larceny	42	28.0	0	0.0	0
Vehicle Theft	0	0.0	0	0.0	0
Arson	0	0.0	0	0.0	0
Forgery	0	0.0	0	0.0	0
Fraud	0	0.0	0	0.0	0
Embezzlement	0	0.0	0	0.0	0
Stolen Property	0	0.0	0	0.0	0
Vandalism	5	3.3	0	0.0	0
Weapons	0	0.0	0	0.0	0
Prostitution	0	0.0	0	0.0	0
Sex Offenses	0	0.0	0	0.0	0
Drugs (Sale/Manuf)	0	0.0	0	0.0	0
Drugs (Possession)	0	0.0	0	0.0	0
Gambling	0	0.0	0	0.0	0
Family Offenses	0	0.0	0	0.0	0
DUI	3	2.0	0	0.0	0
Liquor Laws	0	0.0	0	0.0	0
Drunkenness	3	2.0	0	0.0	0
Disorderly Conduct	0	0.0	0	0.0	0
Vagrancy	0	0.0	0	0.0	0
All Other Offenses	1	0.7	0	0.0	0
Suspicion	0	0.0	0	0.0	0
TOTAL:	57	38.0	0	0.0	0

**CAMPUS POPULATION STATISTICS
(1989 Fall Term Campus Population)**

FTE Undergraduate Students (Resident)	976
FTE Undergraduate Students (Commuting)	79
FTE Graduate Students (Resident)	0
FTE Graduate Students (Commuting)	71
Staff Personnel	227
Faculty Personnel	136
Security Personnel (Non-commissioned)	3
Security Personnel (Commissioned)	9
TOTAL :	1,501

Vanderbilt University

Nashville

Offense Category	Offenses Reported	Rate Per 1,000	Offenses Cleared	% Cleared	Clearances Involving Persons Under 18 Years
Homicide	0	0.0	0	0.0	0
Manslaughter	0	0.0	0	0.0	0
Rape	0	0.0	0	0.0	0
Robbery	1	0.1	0	0.0	0
Assault	6	0.3	1	16.7	0
Burglary	24	1.3	2	8.3	0
Larceny	238	12.7	7	2.9	0
Vehicle Theft	3	0.2	3	100.0	0
Arson	1	0.1	0	0.0	0
Forgery	0	0.0	0	0.0	0
Fraud	1	0.1	0	0.0	0
Embezzlement	0	0.0	0	0.0	0
Stolen Property	0	0.0	0	0.0	0
Vandalism	80	4.3	6	7.5	0
Weapons	0	0.0	0	0.0	0
Prostitution	0	0.0	0	0.0	0
Sex Offenses	0	0.0	0	0.0	0
Drugs (Sale/Manuf)	1	0.1	0	0.0	0
Drugs (Possession)	0	0.0	0	0.0	0
Gambling	0	0.0	0	0.0	0
Family Offenses	0	0.0	0	0.0	0
DUI	0	0.0	0	0.0	0
Liquor Laws	0	0.0	0	0.0	0
Drunkenness	5	0.3	3	60.0	0
Disorderly Conduct	14	0.7	6	42.9	0
Vagrancy	0	0.0	0	0.0	0
All Other Offenses	65	3.5	10	15.4	0
Suspicion	0	0.0	0	0.0	0
TOTAL:	439	23.4	38	8.7	0

CAMPUS POPULATION STATISTICS
(1989 Fall Term Campus Population)

FTE Undergraduate Students (Resident)	:	4,563
FTE Undergraduate Students (Commuting)	:	726
FTE Graduate Students (Resident)	:	257
FTE Graduate Students (Commuting)	:	3,475
Staff Personnel	:	6,838
Faculty Personnel	:	2,832
Security Personnel (Non-commissioned)	:	9
Security Personnel (Commissioned)	:	60
TOTAL :		18,760

Volunteer State Community College

Nashville

Offense Category	Offenses Reported	Rate Per 1,000	Offenses Cleared	% Cleared	Clearances Involving Persons Under 18 Years
Homicide	0	0.0	0	0.0	0
Manslaughter	0	0.0	0	0.0	0
Rape	0	0.0	0	0.0	0
Robbery	0	0.0	0	0.0	0
Assault	0	0.0	0	0.0	0
Burglary	0	0.0	0	0.0	0
Larceny	0	0.0	0	0.0	0
Vehicle Theft	0	0.0	0	0.0	0
Arson	0	0.0	0	0.0	0
Forgery	0	0.0	0	0.0	0
Fraud	0	0.0	0	0.0	0
Embezzlement	0	0.0	0	0.0	0
Stolen Property	0	0.0	0	0.0	0
Vandalism	0	0.0	0	0.0	0
Weapons	0	0.0	0	0.0	0
Prostitution	0	0.0	0	0.0	0
Sex Offenses	0	0.0	0	0.0	0
Drugs (Sale/Manuf)	0	0.0	0	0.0	0
Drugs (Possession)	0	0.0	0	0.0	0
Gambling	0	0.0	0	0.0	0
Family Offenses	0	0.0	0	0.0	0
DUI	0	0.0	0	0.0	0
Liquor Laws	0	0.0	0	0.0	0
Drunkenness	0	0.0	0	0.0	0
Disorderly Conduct	0	0.0	0	0.0	0
Vagrancy	0	0.0	0	0.0	0
All Other Offenses	0	0.0	0	0.0	0
Suspicion	0	0.0	0	0.0	0
TOTAL:	0	0.0	0	0.0	0

CAMPUS POPULATION STATISTICS
(1989 Fall Term Campus Population)

FTE Undergraduate Students (Resident)	:	0
FTE Undergraduate Students (Commuting)	:	2,245
FTE Graduate Students (Resident)	:	0
FTE Graduate Students (Commuting)	:	0
Staff Personnel	:	106
Faculty Personnel	:	272
Security Personnel (Non-commissioned)	:	7
Security Personnel (Commissioned)	:	0
TOTAL	:	2,630

Walters State Community College

Morristown

Offense Category	Offenses Reported	Rate Per 1,000	Offenses Cleared	% Cleared	Clearances Involving Persons Under 18 Years
Homicide	0	0.0	0	0.0	0
Manslaughter	0	0.0	0	0.0	0
Rape	0	0.0	0	0.0	0
Robbery	0	0.0	0	0.0	0
Assault	1	0.2	0	0.0	0
Burglary	1	0.2	0	0.0	0
Larceny	5	1.1	1	20.0	0
Vehicle Theft	0	0.0	0	0.0	0
Arson	0	0.0	0	0.0	0
Forgery	0	0.0	0	0.0	0
Fraud	0	0.0	0	0.0	0
Embezzlement	0	0.0	0	0.0	0
Stolen Property	0	0.0	0	0.0	0
Vandalism	1	0.2	0	0.0	0
Weapons	0	0.0	0	0.0	0
Prostitution	0	0.0	0	0.0	0
Sex Offenses	1	0.2	1	100.0	0
Drugs (Sale/Manuf)	0	0.0	0	0.0	0
Drugs (Possession)	0	0.0	0	0.0	0
Gambling	0	0.0	0	0.0	0
Family Offenses	0	0.0	0	0.0	0
DUI	0	0.0	0	0.0	0
Liquor Laws	0	0.0	0	0.0	0
Drunkenness	0	0.0	0	0.0	0
Disorderly Conduct	0	0.0	0	0.0	0
Vagrancy	0	0.0	0	0.0	0
All Other Offenses	0	0.0	0	0.0	0
Suspicion	0	0.0	0	0.0	0
TOTAL:	9	2.0	2	22.2	0

CAMPUS POPULATION STATISTICS
(1989 Fall Term Campus Population)

FTE Undergraduate Students (Resident)	:	0
FTE Undergraduate Students (Commuting)	:	4,220
FTE Graduate Students (Resident)	:	0
FTE Graduate Students (Commuting)	:	0
Staff Personnel	:	204
Faculty Personnel	:	123
Security Personnel (Non-commissioned)	:	1
Security Personnel (Commissioned)	:	7
TOTAL :		4,555



Tennessee Bureau of Investigation, Auth.
No. 348023, (Jan. 90), 500 copies. This
public document was promulgated at a cost
of \$2.15 each.