

DOCUMENT RESUME

ED 132 986

JC 770 023

TITLE Federal Categorical Aid Programs, Fiscal Year 1976.
INSTITUTION National Council for Resource Development, Washington, D.C.
PUB DATE 76
NOTE 46p.
EDRS PRICE MF-\$0.83 HC-\$2.06 Plus Postage.
DESCRIPTORS Community Colleges; Educational Finance; *Federal Aid; *Federal Programs; *Junior Colleges; *Resource Allocations; *Resource Guides

ABSTRACT

The National Council for Resource Development's Task Force on Federal Categorical Funding has investigated and reported the involvement of community colleges in various federal programs. The information in this report, covering sixty-seven federally funded programs, can be used by community college resource development officers in decision-making, in terms of quickly determining the dollars appropriated for a particular program, the dollars obtained by community colleges compared to total dollars appropriated, and comparing the number of awards obtained by community colleges to the number of total awards. As is shown in this document, community colleges are obtaining funding in a variety of programs within agencies and offices other than Health, Education, and Welfare's Office of Education. (Author/JDS)

* Documents acquired by ERIC include many informal unpublished *
* materials not available from other sources. ERIC makes every effort *
* to obtain the best copy available. Nevertheless, items of marginal *
* reproducibility are often encountered and this affects the quality *
* of the microfiche and hardcopy reproductions ERIC makes available *
* via the ERIC Document Reproduction Service (EDRS). EDRS is not *
* responsible for the quality of the original document. Reproductions *
* supplied by EDRS are the best that can be made from the original. *

U S DEPARTMENT OF HEALTH,
EDUCATION & WELFARE
NATIONAL INSTITUTE OF
EDUCATION

THIS DOCUMENT HAS BEEN REPRO-
DUCED EXACTLY AS RECEIVED FROM
THE PERSON OR ORGANIZATION ORIGIN-
ATING IT. POINTS OF VIEW OR OPINIONS
STATED DO NOT NECESSARILY REPRESENT
OFFICIAL NATIONAL INSTITUTE OF
EDUCATION POSITION OR POLICY

ED132986

FEDERAL
CAT

EGORICAL AID
PROGRAMS

JL 770 023



FISCAL YEAR 1976

National Council for Resource Development Suite 410 One Dunont Circle, N.W. Washington, D C 20036

**National Council For Resource Development
Federal Categorical Funding
Task Force Report
FY 1976**



P R E F A C E

As one of its main objectives for 1976, the National Council for Resource Development established a Task Force on Federal Categorical Funding chaired by Dr. Stephen R. Wise, District Director, Resource Development, Florida Junior College at Jacksonville. The Task Force was charged with the responsibility of investigating and reporting the involvement of community colleges in various Federal programs.

The contents of the enclosed report can be used by the community colleges' resource development officers in decision-making in terms of quickly determining the dollars appropriated for a particular program, the dollars obtained by community colleges compared to the total dollars appropriated, and comparing the number of awards obtained by community colleges versus total awards.

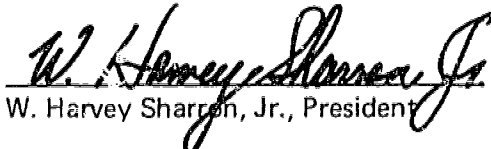
The data contained in this report will be used by the Board of Directors of the National Council for Resource Development to provide direction in future legislative and policy-making decisions that affect community college funding. The National Council for Resource Development Board must have empirical demographic data that various agencies have not been responsive to the services which our community colleges can provide. This report is a first step in the data gathering process in this quest for empirical evidence that will document the community colleges' efforts in securing federal categorical funding.

The National Council for Resource Development Federal Categorical Funding Report, will broaden the resource development officers' perspective to programs other than the traditional U.S. Office of Education Title III Developing Institutions, Cooperative Education, Library Resources, Title VI Equipment and the Veterans' Cost of Instruction Programs.

As is shown in this report, community colleges are obtaining funding in a variety of programs within agencies and offices other than Health, Education and Welfare's Office of Education, but more work is needed in order to receive our fair share.

Each year, hereafter, the National Council for Resource Development will provide to its membership an update of the Federal Categorical Funding Report. This report then will show the progress made by community colleges in affecting change in authorizations, appropriations and in the number of awards received by community colleges.

Your comments and suggestions to improve this document will be greatly appreciated.


W. Harvey Sharron, Jr., President

NATIONAL COUNCIL FOR RESOURCE DEVELOPMENT
FEDERAL CATEGORICAL FUNDING

CONTENTS

Introduction 1

Programs

 ACTION 4

 University Year for Action (UYA)

 The Youth Challenge Programs

 Coastal Plains Regional Commission 5

 Technical & Planning Assistance

 Supplement to Federal Grants-in-Aid

 Four Corners Regional Commission 6

 Technical Assistance

 Supplement to Federal Grants-in-Aid

 National Endowment for the Arts 7

 Cultural Facilities

 National Themes -- City Options

 Professional Education

 Public Education

 Dance Criticism

 Dance/Film/Video

 Dance Touring

 Arts Exposure

 Summer Special Projects

 Writers in Developing Colleges

 Public Media

City Spirit	
Community Residents	
Folk Arts	
"In - Residence" Programs	
Crafts Exhibitions	
National Endowment for the Humanities	8
Education	
Youth Grants	
Fellowships	
Awards Programs Not Listed	
National Institute of Health	9-10
Nursing Capitation	
Nurse Training	
National Science Foundations	11
Comprehensive Assistance to Undergraduates	
Undergraduates Instructional Scientific Equipment	
Restructuring Undergraduates Learning Environment	
Student Originated Studies	
Secondary School Students Science Training	
Women in Science	
U. S. Department of Commerce	12
Sea Grants	
U. S. Office of Education	13
Bilingual Vocational Training	13
Bureau of Postsecondary Education, Fullbright-Hays Training Grants	14
Career Education.....	15
Community Service and Continuing Education	16

Community Education	17
Cooperative Education	18
Drug Abuse Prevention	19
Educational Broadcasting Facilities	20
Educational Opportunity Center	21
Environmental Studies	22
Ethnic Heritage Studies	23
Handicapped Research & Demonstration	24
Library - Title II-A	25
Metric Education	26
Right to Read	27
Special Services	21
Strengthening Developing Institutions	28
Talent Search	21
Title VI - Equipment	29
Undergraduate Level International Studies Programs	30
Upward Bound	21
Veterans Cost of Instruction Programs	31
Vocational Education	32
Grants to States	
Consumer/Homemaking	
Cooperative Education/Vocational Education	
Curriculum	
Research	
Special Needs	
Women's Educational Equity Program	33

Health, Education & Welfare – Office of the Secretary 34
 Fund for the Improvement of Postsecondary Education
Office of Human Development – Administration on Aging
 Special Programs for the Aging – Title III 35
 Special Programs for Research and Demonstration – Title IV - B 36

CONTENTS
BY
FEDERAL DOMESTIC CATALOGUE NUMBER

<u>Number</u>	<u>Program Name</u>	<u>Page</u>
11.417	Sea Grant	12
13.359	Nurse Training Improvement - Special Projects	10
13.386	Nursing Capitation	9
13.406	Library Title II-A	25
13.413	Educational Broadcasting Facilities	20
13.420	Drug Abuse Prevention	19
13.435	Undergraduate Level International Studies - Title VI.- NDEA	30
13.438	Fulbright - Hays Training Grant: Faculty Research Abroad	14
13.439	Fulbright - Hays Training Grant: Foreign Curriculum Consultants	14
13.440	Fulbright - Hays Training Grant: Group Projects Abroad	14
13.443	Handicapped Research and Demonstration	24
13.454	Strengthening Developing Institutions	28
13.482	Special Services	21
13.488	Talent Search	21
13.492	Upward Bound	21
13.493	Basic Grants to States	32
13.494	Consumer and Homemaking	32
13.495	Cooperative Education/Vocational Education	32
13.496	Curriculum	32
13.498	Research	32
13.499	Special Needs	32
13.510	Cooperative Education	18
13.518	Title VI Equipment	29
13.522	Environmental Studies	22
13.533	Right to Read	27
13.540	VCIP Higher Education - Veterans' Cost of Instruction	31
13.543	Educational Opportunity Center	21
13.549	Ethnic Heritage Studies	23
13.554	Career Education	15
13.557	Community Service and Continuing Education Programs	16
13.558	Bilingual Vocational Training	13
13.561	Metric Education	26
13.563	Community Education	17
13.565	Women's Educational Equity Program	33
13.634	Special Programs for Aging - Title III, Section 308	35
13.636	Special Programs for Aging - Research and Demonstration Title IV - B - OAA	36

<u>Number</u>	<u>Program Name</u>	<u>Page</u>
13.925	Fund for the Improvement of Post-secondary Education	34
28.002	Coastal Plains Technical and Planning Association	5
28.003	Coastal Plains Supplements to Federal Grant-in-Aid	5
38.002	Four Corners Regional Commission: Technical Assistance	6
38.003	Four Corners Regional Commission: Supplements to Federal Grants-in-Aid	6
45.111	Education: Pilot, Development, Program, Higher Education	8
45.115	Youth Grants	8
45.116	Fellowships: College Teachers	8
45.121	Fellowships: Summer Seminars	8
72.004	University Year for Action (UYA)	4
72.009	The Youth Challenge Program	4

INTRODUCTION

The Federal Categorical Funding Reports' contents were obtained through the efforts of a hard-working Task Force made up of the following NCRD members:

Dr. Edmund K. Gross
Coordinator of Project Development
Dallas County Community College District
701 Elm Street
Dallas, Texas 75202

Dr. Richard B. Halvorson
Director of Special Programs
Washington State Community College
District 17, North
2000 Greene Street
Spokane, Washington 99207

Ms. Shirley Gregg Woody
Director of Federal Programs
Enterprise State Junior College
Enterprise, Alabama 36330

Mr. Elliott A. Fairbanks
Dean of Resource Development
College of Eastern Utah
Price, Utah 84501

Mr. Bill Ward
Coordinator for Grant Development
Northern Virginia Community College
Annandale, Virginia 22003

Mr. Charles J. Schulze, Jr.
Funding Coordinator
Westchester Community College
Hartford Hall
75 Grasslands Road
Valhalla, New York 10595

Dr. Robert Stoddard
Dean of Resource Development
Snow College
Ephraim, Utah 84627

Mr. John Possell
Assistant Coordinator for Resource Development
Milwaukee Area Technical College
1015 North Sixth Street
Milwaukee, Wisconsin 53203

Dr. Jeffrey A. Stuckman
Director of Institutional Research
Florida Junior College
21 W. Church Street
Jacksonville, Florida 32202

In addition to the NCRD members, input was obtained from Dr. Marie Martin, Chief, Community College Unit, U.S. Office of Education and Ms. Claire Olson, Assistant Director of Governmental Affairs, American Association of Community Junior Colleges. A special thanks goes to Stan Patterson, Program Specialist in the Community College Unit, for his many hours of work in calling various program officers and following leads and tips in order to obtain and verify the program information.

The Federal Categorical Funding Task Force first met on May 13, 1976 in Washington, D.C. to determine the magnitude of the tasks which were assigned by the NCRD Board of Directors.

The Categorical Funding Task Force decided that the information to be gathered must be:

- (1) Useful,
- (2) Practical,
- (3) Economically feasible to obtain, and
- (4) Easily cross-referenced.

The 1976 Catalogue of Federal Domestic Assistance was used as a point of reference. All programs, with the exception of the programs funded by National Endowment for the Arts and the National Science Foundation contain the Catalogue of Federal Domestic Assistance number. If additional specific program information is needed by the reader, cross-referencing can be quickly accomplished by using the Catalogue of Federal Domestic Assistance, 1976 Edition.

There was no attempt to obtain data from all programs listed in the Catalogue of Federal Domestic Assistance's 1976 edition nor was there any attempt to select all the programs from the Office of Education.

A concerted effort was made to obtain FY 1976 data from as many programs as possible where community colleges readily obtain program support. FY 1975 data was obtained for the Nursing Capitation program, National Endowment for the Arts and Humanities programs simply because the most current data was not available. In addition, data was obtained from various agencies which have not had a reputation for supporting community college grant requests in the past.

It is recommended that the next NCRD Categorical Task Force begin the FY 1977 data collection immediately following the end of the fiscal year which will be October 1, 1977. It has been our experience that as late as September 1, 1976, many of the programs had not completed their grant negotiations and data was not readily available for publication.

It is the hope that this document can be used in succeeding years to measure the effectiveness and tenacity of our community college resource development officers' ability to capture a bigger share of the federal dollars that support post-secondary education. Hopefully, each of the College's federal funding programs capture ratios will be increased by having utilized the data contained in this report to select programs where the chances of funding are the greatest.



Stephen R. Wise, Chairman
NCRD Task Force on Federal
Categorical Funding

NATIONAL COUNCIL FOR RESOURCE DEVELOPMENT

Categorical Funding Task Force

FY 1976 Information

AGENCY

ACTION

Program Name	Federal Catalogue of Domestic Assistance #	Dollars Authorized	Dollars Appropriated	Dollars obtained by Community Colleges	Total Number of Comm. College Rec. Awards	Total Number of Awards
University Year for Action (UYA)	72.004		*** 6,048,000	310,550	*4	69
The Youth Challenge Program	72.009		*** 300,000	27,760	**2	30

*Florida Junior College at Jacksonville, Florida
 El Paso Community College, Texas
 Kirkwood Community College, Iowa
 North Shore Community College, Massachusetts

**College of Eastern Utah, Utah
 North Shore Community College, Massachusetts

***Amount Spent

4

NATIONAL COUNCIL FOR RESOURCE DEVELOPMENT

Categorical Funding Task Force

FY 1976 Information

AGENCY

Coastal Plains Regional Commission
 2000 L Street N.W.
 Room 414
 Washington, D. C.

Program Name	Federal Catalogue of Domestic Assistance #	Dollars Authorized	Dollars Appropriated	Dollars obtained by Community Colleges	Total Number of Comm College Rec. Awards	Total Number of Awards
COASTAL PLAINS REGIONAL COMMISSION		**	10,776,000			
Coastal Plains Technical and Planning Assistance	28.002		5,200	1,132,060	*4	100
Coastal Plains Supplements to Federal Grant-in-Aid	25.003		5,000			

*Coastal Carolina Community College North Carolina \$ 165,000
 Pitt Technical Institute, North Carolina 250,000
 Johnston Technical Institute, North Carolina 217,000
 Horry-Georgetown Technical College South Carolina 500,000
 \$1,132,000

**\$200,000,000 for all Regional Commissions

5

NATIONAL COUNCIL FOR RESOURCE DEVELOPMENT

Categorical Funding Task Force

FY 1976 Information

AGENCY

Four Corners Regional Commission

Program Name	Federal Catalogue of Domestic Assistance #	Dollars Authorized	Dollars Appropriated	Dollars obtained by Community Colleges	Total Number of Comm. College Rec. Awards	Total Number of Awards
FOUR CORNERS REGIONAL COMMISSION			8,716,000			
Technical Assistance	38.002	*)		6	101
Supplements to Federal Grants-in-Aid	38.003	*)7,000,000	993,000	2 area vocational schools	54

*\$200,000,000 for all Regional Commissions.

6

NATIONAL COUNCIL FOR RESOURCE DEVELOPMENT

Categorical Funding Task Force

FY 1975 Information

AGENCY

National Endowment for the Arts

Program Name	Dollars Authorized	Dollars Appropriated	Total Dollars Expended	Dollars obtained by Community Colleges	Total Number of Comm. College Rec. Awards	Total Number of Univ. Rec. Awards	Total Number of Awards
Cultural Facilities	90,000,000	67,250,000	325,000	-0-	-0-		4
National Theme City Options			563,091	-0-	-0-	3	28
Professional Education and Development Academic Research			292,862	-0-	-0-	12	21
Public Education and Awareness			573,799	-0-	-0-	3	47
Dance Criticism			23,000	-0-	-0-	1	2
Dance/Film/Video			49,860	-0-	-0-	1	4
Dance Touring Program			2,392,611	Many funded through state art organizations.			59
Arts Exposure (a) General Programs			310,320	12,500	1	3	26
(b) Instruction and Training			2,239,402	2,450	1	7	189
Summer Special Projects			496,457	10,000	2	6	65
Writers in Developing Colleges			64,080	10,000	1	5	9
Public Media General Programs			681,516	30,000	2	9	57
City Spirit			749,930	25,000	1	1	18
Community Residents			473,417	30,000	1	3	23
Folk Art			497,111	20,000	1	5	28
Artists, Critics, Photographers and Craftsmen in Residence			187,720	1,500	1	26	85
Crafts Exhibition			112,047	2,500	1	7	24

NATIONAL COUNCIL FOR RESOURCE DEVELOPMENT

Categorical Funding Task Force

FY 1975 Information

AGENCY

National Endowment for the Humanities

Program Name	Federal Catalogue of Domestic Assistance #	Dollars Authorized	Dollars Appropriated	Dollars obtained by Community Colleges	Total Number of Comm. College Rec. Awards	Total Number of Awards
Education	45.111		*			
a. Pilot			1,088,964	119,737	3	39
b. Development			1,813,988	108,600	2	23
c. Program			1,944,626	52,000	1	13
d. Higher Education			4,750,533	103,000	2	68
Youth Grants	45.115		1,404,074	-0-	-0-	43
Fellowships						
a. College Teachers	45.116		2,570,000	138,000	11	160
b. Summer Seminars	45.121		2,484,861	323,032	90	709
Awards in Programs not listed				3,198,723	15	

*Dollars Expended

NATIONAL COUNCIL FOR RESOURCE DEVELOPMENT

Categorical Funding Task Force

FY 1975 Information

AGENCY

National Institute of Health

Program Name	Federal Catalogue of Domestic Assistance #	Dollars Authorized	Dollars Appropriated	Dollars obtained by Community Colleges	Total Number of Comm. College Rec. Awards	Total Number of Awards
Nursing Capitation	13.386	Continuing	34,343,000	12,499,508	485	1050

NATIONAL COUNCIL FOR RESOURCE DEVELOPMENT

Categorical Funding Task Force

FY 1976 Information

AGENCY

National Institute of Health

Program Name	Federal Catalogue of Domestic Assistance #	Dollars Authorized	Dollars Appropriated	Dollars obtained by Community Colleges	Total Number of Comm. College Rec. Awards	Total Number of Awards
Nurse Training Improvement - Special Projects	13.359	25,000,000	15,000,000	875,000	15	211

10

20

NATIONAL COUNCIL FOR RESOURCE DEVELOPMENT

Categorical Funding Task Force

FY 1976 Information

AGENCY

National Science Foundation

Program Name	Dollars Expended	Dollars obtained by Community Colleges	Total Number of Comm. College Rec. Awards	Total Number of Awards
1. Comprehensive Assistance to Undergraduate Education (CAUSE)	10,000,000	*2,290,000	17	59
2. Undergraduate Instructional Scientific Equipment	2,900,000	101,100	*17	327
**3. Restructuring Undergraduate Learning Environment Program (RULE)	1,000,000	37,000	** 4	72
4. Student Originated Studies	972,000	-0-	-0-	69
5. Secondary School Student Science Training	1,900,000	-0-	-0-	***125
6. Women in Science	946,000	5,465	**** 1	33

*122 Proposals submitted - a 30% decline from 1975.

**RULE Program has changed to Local Course Improvement - 11 proposals submitted.

***Community Colleges not eligible in 1975; however, they will be eligible in 1976.

****Cabrillo College, California.

NATIONAL COUNCIL FOR RESOURCE DEVELOPMENT

Categorical Funding Task Force

FY 1976 Information

AGENCY

U. S. Department of Commerce

Program Name	Federal Catalogue of Domestic Assistance #	Dollars Authorized	Dollars Appropriated	Dollars obtained by Community Colleges	Total Number of Comm. College Rec. Awards	Total Number of Awards
Sea Grant	11.417	50,000,000	23,100,000	Not Available	*21	50



12

* Funded through a university.

NATIONAL COUNCIL FOR RESOURCE DEVELOPMENT

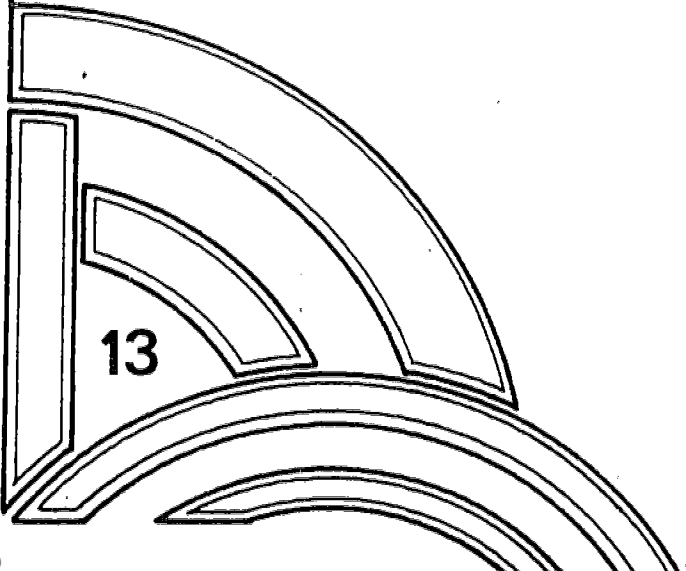
Categorical Funding Task Force

FY 1976 Information

AGENCY

U. S. Office of Education

Program Name	Federal Catalogue of Domestic Assistance #	Dollars Authorized	Dollars Appropriated	Dollars obtained by Community Colleges	Total Number of Comm. College Rec. Awards	Total Number of Awards
Bilingual Vocational Training	13.558	175,000,000	2,800,000	637,107	*6	22



13

*Bangor Community College, Maine	\$ 138,606
Borough of Manhattan Community College, New York	53,310
Bronx Community College, New York	56,586
El Paso Community College, Texas	158,297
Kuskokwin Community College, Alaska	198,000
San Francisco Community College Skills Center, Calif.	32,308
	<u>\$ 637,107</u>

NATIONAL COUNCIL FOR RESOURCE DEVELOPMENT

Categorical Funding Task Force

FY 1976 Information

AGENCY

Division of International Education
Bureau of Postsecondary Education
U. S. Office of Education

Program Name	Federal Catalogue of Domestic Assistance #	Dollars Authorized	Dollars Appropriated	Dollars obtained by Community Colleges	Total Number of Comm. College Rec. Awards	Total Number of Awards
FULLBRIGHT-HAYS TRAINING GRANTS		75,000,000	2,700,000			
A. Faculty Research Abroad	13.43P			19,880	***2	46
B. Foreign Curriculum Consultants	13.139			13,066	**1	16
C. Group Projects Abroad	13.440			17,640	*1	43

14

*Suomi College, Michigan
**Florida Junior College at Jacksonville, Florida
***Manhattanville Community College, New York
Somerset County Community College, New Jersey

NATIONAL COUNCIL FOR RESOURCE DEVELOPMENT

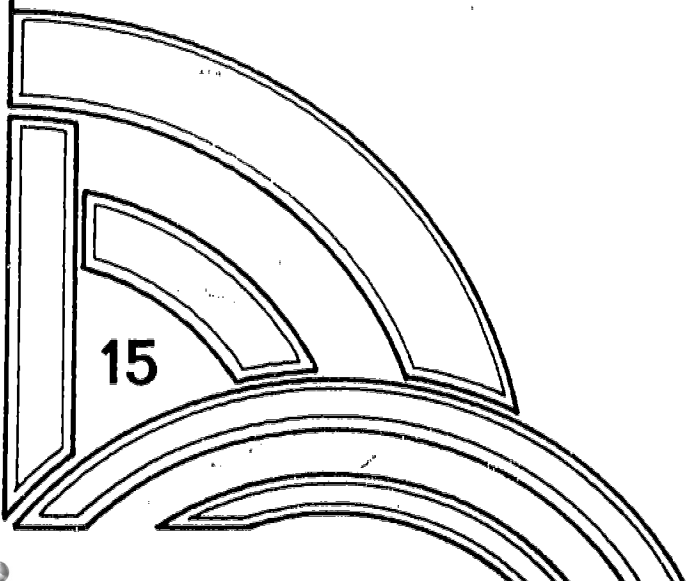
Categorical Funding Task Force

FY 1976 Information

AGENCY

U. S. Office of Education

Program Name	Federal Catalogue of Domestic Assistance #	Dollars Authorized	Dollars Appropriated	Dollars obtained by Community Colleges	Total Number of Comm. College Rec. Awards	Total Number of Awards
Career Education	13.554	10,100,000	10,100,000	409,289	3	118



15

LaGuardia Community College, New York	\$ 208,610
New Jersey Department of Higher Education (Office of Community Colleges)	101,398
Piedmont Technical College, South Carolina	99,281
	<u>\$ 409,289</u>

25

NATIONAL COUNCIL FOR RESOURCE DEVELOPMENT

Categorical Funding Task Force

FY 1976 Information

AGENCY

U. S. Office of Education

Program Name	Federal Catalogue of Domestic Assistance #	Dollars Authorized	Dollars Appropriated	Dollars obtained by Community Colleges	Total Number of Comm. College Rec. Awards	Total Number of Awards
Community Service and Continuing Education Programs	13.557	60,000,000	14,250,000	100,000	**1 80 submitted	15 351 submitted

16

*Discretionary Funds - \$1,425,000

**Maricopa County Community College, Arizona

NATIONAL COUNCIL FOR RESOURCE DEVELOPMENT

Categorical Funding Task Force

FY 1976 Information

AGENCY

U. S. Office of Education

Program Name	Federal Catalogue of Domestic Assistance #	Dollars Authorized	Dollars Appropriated	Dollars obtained by Community Colleges	Total Number of Comm. College Rec. Awards	Total Number of Awards
Community Education	13.563	3,500,000	3,500,000	80,835	3	94

*Miami Dade Community College, Florida \$ 32,585
 Pima County Community College District,
 Arizona 18,031
 Colby Community College, Kansas 30,219
\$ 80,835

17

NATIONAL COUNCIL FOR RESOURCE DEVELOPMENT

Categorical Funding Task Force

FY 1976 Information

AGENCY

U. S. Office of Education

Program Name	Federal Catalogue of Domestic Assistance #	Dollars Authorized	Dollars Appropriated	Dollars obtained by Community Colleges	Total Number of Comm. College Rec. Awards	Total Number of Awards
Cooperative Education	13.510	10,750,000	10,750,000	3,924,000 86,381 18,055	122 - Administration * 3 - Training ** 1 - Research	287 *** 15 *** 4

*Normandale Community College,
Minnesota \$ 21,256
University of Kentucky Community
College System, Kentucky 42,000
Brevard Community College,
Florida 23,125
\$ 86,381

**Thomas Nelson Community College,
Virginia \$ 18,055

***Total dollars for training \$ 612,901
***Total dollars for research 137,099

18

NATIONAL COUNCIL FOR RESOURCE DEVELOPMENT

Categorical Funding Task Force

FY 1976 Information

AGENCY

U. S. Office of Education

Program Name	Federal Catalogue of Domestic Assistance #	Dollars Authorized	Dollars Appropriated	Dollars obtained by Community Colleges	Total Number of Comm. College Rec. Awards	Total Number of Awards
Drug Abuse Prevention	13.420	2,600,000	2,600,000	-0-	-0-	*27



19

29

*No new programs -
Funded only continuation grants.

NATIONAL COUNCIL FOR RESOURCE DEVELOPMENT

Categorical Funding Task Force

FY 1976 Information

AGENCY

U. S. Office of Education

Program Name	Federal Catalogue of Domestic Assistance #	Dollars Authorized	Dollars Appropriated	Dollars obtained by Community Colleges	Total Number of Comm. College Rec. Awards	Total Number of Awards
Educational Broadcasting Facilities	13.413	30,000,000	12,500,000	251,440	*3	73

*Gadsden State Junior College, Alabama \$ 46,051
 Maricopa County Community College, Arizona 25,389
 Western Iowa Technical Community College, Iowa 180,000
 \$ 251,440

NATIONAL COUNCIL FOR RESOURCE DEVELOPMENT

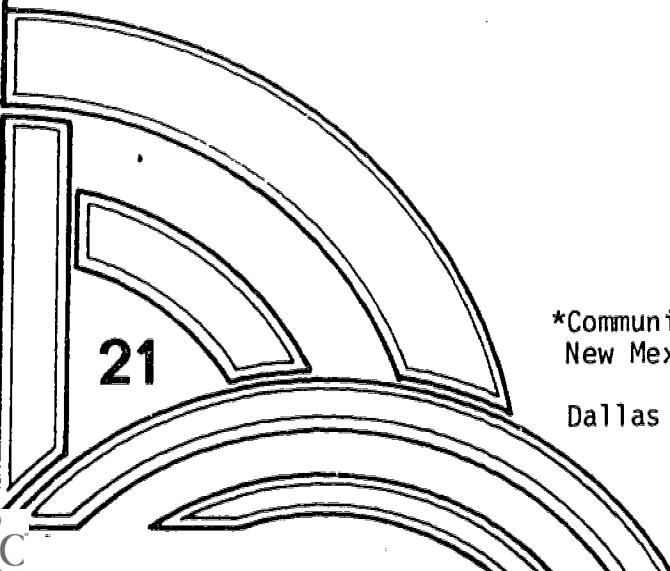
Categorical Funding Task Force

FY 1976 Information

AGENCY

U. S. Office of Education

Program Name	Federal Catalogue of Domestic Assistance #	Dollars Authorized	Dollars Appropriated	Dollars obtained by Community Colleges	Total Number of Comm. College Rec. Awards	Total Number of Awards
Special Services	13.482	100,000,000	S.S. 23,000,000	6,055,825	90	327
Talent Search	13.488	6,000,000	T.S. 6,000,000	834,106	15	116
Upward Bound	13.492	38,331,000	U.B. 38,331,000	4,219,863	58	113
Educational Opportunity Center	13.543	3,000,000	E.O.C. 3,000,000	672,750	* 3	12



21

*Community College of Denver, Colorado \$ 258,750
 New Mexico Institute of Min. & Technical, 155,250
 New Mexico
 Dallas County Community College District, 258,750
 Texas
\$ 672,750

NATIONAL COUNCIL FOR RESOURCE DEVELOPMENT

Categorical Funding Task Force

FY 1976 Information

AGENCY

U. S. Office of Education

Program Name	Federal Catalogue of Domestic Assistance #	Dollars Authorized	Dollars Appropriated	Dollars obtained by Community Colleges	Total Number of Comm. College Rec. Awards	Total Number of Awards
Environmental Studies	13,522	10,000,000	3,000,000	28,778	*3	90

22

*Garrett Community College, Maryland	\$ 9,098
Seminole Junior College, Oklahoma	9,700
Ferrum College, Virginia	9,980
	<u>\$ 28,778</u>

32

NATIONAL COUNCIL FOR RESOURCE DEVELOPMENT

Categorical Funding Task Force

FY 1976 Information

AGENCY

U. S. Office of Education

Program Name	Federal Catalogue of Domestic Assistance #	Dollars Authorized	Dollars Appropriated	Dollars obtained by Community Colleges	Total Number of Comm. College Rec. Awards	Total Number of Awards
Ethnic Heritage Studies	13.549	1,800,000	1,800,000	*82,000	2	49

23

*Leeward Community College, Hawaii \$ 40,000
 Bronx Community College, New York 42,000
 \$ 82,000

NATIONAL COUNCIL FOR RESOURCE DEVELOPMENT

Categorical Funding Task Force

FY 1976 Information

AGENCY

U. S. Office of Education

Program Name	Federal Catalogue of Domestic Assistance #	Dollars Authorized	Dollars Appropriated	Dollars obtained by Community Colleges	Total Number of Comm. College Rec. Awards	Total Number of Awards
Handicapped Research and Demonstration	13.443	20,000,000	11,000,000	0	0	170 (Approximately) Definite figure after September 30, 1976.

NATIONAL COUNCIL FOR RESOURCE DEVELOPMENT

Categorical Funding Task Force

FY 1976 Information

AGENCY

U. S. Office of Education

Program Name	Federal Catalogue of Domestic Assistance #	Dollars Authorized	Dollars Appropriated	Dollars obtained by Community Colleges	Total Number of Comm. College Rec. Awards	Total Number of Awards
Library - Title II-A	13.406		9,975,000	**4,318,533	*1110	2560

PROGRAM ACCOMPLISHMENTS

<u>Fiscal Year</u>	<u>Appropriation</u>	<u>Basic</u>	<u>Supplemental</u>	<u>Special Purpose</u>	<u>Obligations</u>
1966	\$10,000,000	1830	-0-	-0-	8,400,000
1967	25,000,000	1989	1266	132	24,500,000
1968	25,000,000	2111	1524	60	24,900,000
1969	25,000,000	2224	1747	77	24,900,000
1970	12,500,000	2201	1783	-0-	9,816,000
1971	9,900,000	548	531	115	9,900,000
1972	11,000,000	504	494	21	10,993,000
1973	12,500,000	2061	-0-	65	12,500,000
1974	9,975,000	2377	-0-	-0-	9,960,000
1975	9,975,000	2569	-0-	-0-	9,957,416
1976	9,975,000	2560	-0-	-0-	9,958,754

*Includes branch campuses.

**30 community colleges did not request the full \$5,000.

1080 community colleges received the maximum amount of funds - \$3,930.

NATIONAL COUNCIL FOR RESOURCE DEVELOPMENT

Categorical Funding Task Force

FY 1976 Information

AGENCY

U. S. Office of Education

Program Name	Federal Catalogue of Domestic Assistance #	Dollars Authorized	Dollars Appropriated	Dollars obtained by Community Colleges	Total Number of Comm. College Rec. Awards	Total Number of Awards
Metric Education	13.561	2,090,000	2,090,000	101,125	*5	72 Grants 5 Contracts 77

*Bronx Community College, New York	\$ 24,000
Blue Ridge Community College, Virginia	24,000
Bethany Community College, West Virginia	24,000
Greater Hartford Community College, Connecticut	5,125
Cuyahoga Community College, Ohio	24,000
	<u>\$ 101,125</u>

26

36

NATIONAL COUNCIL FOR RESOURCE DEVELOPMENT

Categorical Funding Task Force

FY 1976 Information

AGENCY

U. S. Office of Education

Program Name	Federal Catalogue of Domestic Assistance #	Dollars Authorized	Dollars Appropriated	Dollars obtained by Community Colleges	Total Number of Comm. College Rec. Awards	Total Number of Awards
Right to Read	13.533	109,500,000	23,800,000	946,078	14	273



27

37

NATIONAL COUNCIL FOR RESOURCE DEVELOPMENT

Categorical Funding Task Force

FY 1976 Information

AGENCY

U. S. Office of Education

Program Name	Federal Catalogue of Domestic Assistance #	Dollars Authorized	Dollars Appropriated	Dollars obtained by Community Colleges	Total Number of Comm. College Rec. Awards	Total Number of Awards
Strengthening Developing Institutions	13.454	120,000,000	110,000,000	12,400,000	73	203
			52,000,000 - Basic		13,920,000	11 (10 new)
			58,000,000 - Advanced		Submitted 210 Basic 50 Advanced	

NATIONAL COUNCIL FOR RESOURCE DEVELOPMENT

Categorical Funding Task Force

FY 1976 Information

AGENCY

U. S. Office of Education

Program Name	Federal Catalogue of Domestic Assistance #	Dollars Authorized	Dollars Appropriated	Dollars obtained by Community Colleges	Total Number of Comm. College Rec. Awards	Total Number of Awards
Title VI Equipment	13.518	7,500,000	7,500,000	1,953,636	190	774

PROGRAM ACCOMPLISHMENTS AND FUNDING INFORMATION

	<u>Appropriation</u>	<u>Number of Grants Issued</u>	<u>Obligations</u>
FY/66	\$ 15,000,000	896	\$ 14,872,144
FY/67	14,500,000	876	14,406,758
FY/68	14,500,000	914	14,444,106
FY/69	14,500,000	927	14,478,085
FY/70	-0-	-0-	-0-
FY/71	7,000,000	762	6,994,601
FY/72	12,500,000	1107	12,479,875
FY/73	12,500,000	961	11,727,809
FY/74	11,875,000	1037	11,799,150
FY/75	7,500,000(*)	921	8,349,022
FY/76	7,500,000	774	7,480,356

(*) In addition to the \$7,500,000 FY 1975 appropriation, \$861,185 was carried forward from FY 1973 thereby making a total of \$8,361,185 available to States for FY 1975 projects.

NATIONAL COUNCIL FOR RESOURCE DEVELOPMENT

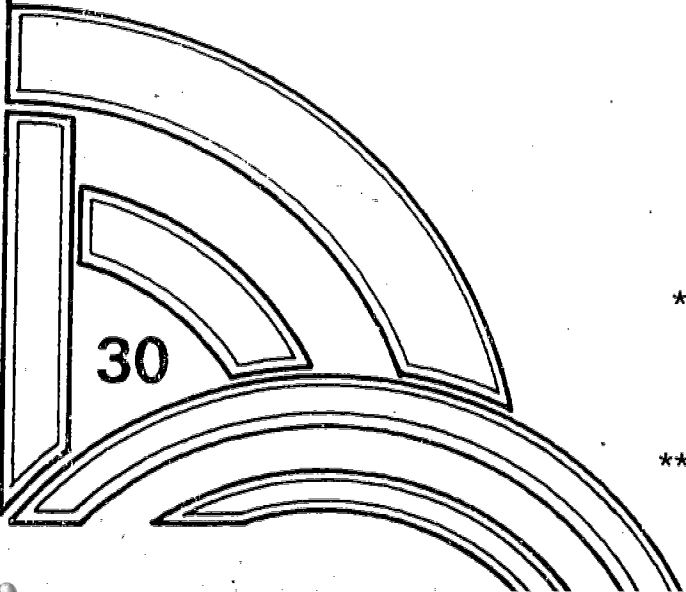
Categorical Funding Task Force

FY 1976 Information

AGENCY

U. S. Office of Education

Program Name	Federal Catalogue of Domestic Assistance #	Dollars Authorized	Dollars Appropriated	Dollars obtained by Community Colleges	Total Number of Comm. College Rec. Awards	Total Number of Awards
Undergraduate Level International Studies Programs - Title VI- NDEA	13.435	No line item	**\$750,000	59,959	*2	13



30

*Kirkwood Community College, Iowa - \$ 29,959
 Staten Island Community College,
 New York 30,000
 \$ 59,959

**Dollars Expended

40

NATIONAL COUNCIL FOR RESOURCE DEVELOPMENT

Categorical Funding Task Force

FY 1976 Information

AGENCY

U. S. Office of Education

Program Name	Federal Catalogue of Domestic Assistance #	Dollars Authorized	Dollars Appropriated	Dollars obtained by Community Colleges	Total Number of Comm. College Rec. Awards	Total Number of Awards
VCIP Higher Education - Veterans' Cost of Instruction Program	13.540	284,454,000	23,750,000	Information Not Available	782	1,237

31

41

NATIONAL COUNCIL FOR RESOURCE DEVELOPMENT

Categorical Funding Task Force

FY 1976 Information

AGENCY

U. S. Office of Education
Vocational Education

Program Name	Federal Catalogue of Domestic Assistance #	Dollars Authorized	Dollars Appropriated	Dollars obtained by Community Colleges	Total Number of Comm. College Rec. Awards	Total Number of Awards
Basic Grants to States	13.493	565,000,000	422,690,555	*		*
Consumer and Homemaking	13.494	50,000,000	40,994,000	*		*
Cooperative Education/ Vocational Education	13.495	75,000,000	19,500,000	*		*
Curriculum	13.496	10,000,000	1,000,000	0	0	13
Research	13.498	20,000,000	9,000,000	606,432	12	87
Special Needs	13.499	40,000,000	20,000,000	*	*	

*The states are awarded the grants and each state then awards subgrants to local school districts, area vocational schools and community/junior colleges.

NATIONAL COUNCIL FOR RESOURCE DEVELOPMENT

Categorical Funding Task Force

FY 1976 Information

AGENCY

U. S. Office of Education

Program Name	Federal Catalogue of Domestic Assistance #	Dollars Authorized	Dollars Appropriated	Dollars obtained by Community Colleges	Total Number of Comm. College Rec. Awards	Total Number of Awards
Women's Educational Equity Program	13.565	6,270,000	6,270,000	106,644	2	66

33

43

San Jose City College, California - \$ 15,000
 Miami-Dade Community College,
 Florida - 91,644
 \$106,644

NATIONAL COUNCIL FOR RESOURCE DEVELOPMENT

Categorical Funding Task Force

FY 1976 Information

AGENCY

U. S. Department of Health, Education and Welfare
Office of the Secretary

Program Name	Federal Catalogue of Domestic Assistance #	Dollars Authorized	Dollars Appropriated	Dollars obtained by Community Colleges	Total Number of Comm. College Rec. Awards	Total Number of Awards
Fund for the Improvement of Postsecondary Education	13.925	75,000,000	13,500,000			
A. Extending Effective Educational Opportunity to Those Still Not Adequately Served				150,000	2	25
B. Meeting Individual Needs in a Mass System				0	0	10
C. Improving Programs, Personnel and Instruction for More Effective Education				134,980	2	33
D. Creating and Applying More Meaningful Criteria for the Award of Postsecondary Credentials				74,660	1	13
E. Reducing Costs and Stretching the Educational Dollar				34,778	1	11
F. Making Better Use of Educational Resources Beyond College and Universities				462,188	7	32
G. Helping People Make Better Choices About Whether, When and Where to Enroll for Education Beyond High School				59,079	1	11
H. Preserving Institutional Vitality in the Face of Growing Rigidity and Regulation				0	0	12
		75,000,000	13,500,000	915,688	14	147
						Estimated 2,900 proposals submitted.

NATIONAL COUNCIL FOR RESOURCE DEVELOPMENT

Categorical Funding Task Force

FY 1976 Information

AGENCY

Office of Human Development
Administration on Aging

Program Name	Federal Catalogue of Domestic Assistance #	Dollars Authorized	Dollars Appropriated	Dollars obtained by Community Colleges	Total Number of Comm. College Rec. Awards	Total Number of Awards
Special Programs for Aging - Title III, Section 300	13.634	Such sums as necessary.	13,800,000	366,268	6	75

Pima County Community College, Arizona	\$ 24,300
Westark Community College, Arkansas	54,035
Rockland Community College, New York	53,400
*North Hennepin Community College, Minnesota	129,800
Brevard Community College, Florida	59,952
Niagara County Community College, New York	44,781
	<u>\$ 366,268</u>

45

*In a consortium.

35

NATIONAL COUNCIL FOR RESOURCE DEVELOPMENT

Categorical Funding Task Force

FY 1976 Information

AGENCY

Office of Human Development
Administration on Aging

Program Name	Federal Catalogue of Domestic Assistance #	Dollars Authorized	Dollars Appropriated	Dollars obtained by Community Colleges	Total Number of Comm. College Rec. Awards	Total Number of Awards
Special Programs for Aging Research and Demonstration Title IV-B - OAO	13.636	Such sums as necessary	8,000,000	0	0	72 new 41 continuation 113

UNIVERSITY OF CALIF.
LOS ANGELES

1974 1977

CLEARINGHOUSE FOR
JUNIOR COLLEGES